

## TRAC OHV 7, Serie A

### Ausstattung Benzinmäher

|                                |   |
|--------------------------------|---|
| Typ / Kurzbez.                 | Trac OHV 7  |
| Ausführung für                 | International                                       |
| Geräte - Nr.                   | 6205 000  |
| Schnittbreite                  | 102 cm  |
| Mähwerk                        | 2 Messer, Twin Mähsystem pendelnd                   |
| Höhenverstellung               | zentral, 7-fach                                     |
| Schnitthöhen                   | 25 - 95 mm  |
| Gewicht                        | 262 kg  |
| Abmessungen L/B/H              | 2400 mm/1060 mm/1100 mm                             |
| Lautstärke                     | 100 dB (A)  |
| Rad vorne, Luftdruck           | 16X6.5-8 1,0bar                                     |
| Rad hinten, Luftdruck          | 20X10,0-8 0,7bar                                    |
| Wenderadius                    | 74 cm   |
| Batterie                       | 12V / 22Ah  |
| Getriebe                       | Tuff Torgue Model K-46                              |
| Gänge                          | Hydrostatgetriebe, stufenlos                        |
| max. Geschwindigkeit vorwärts  | 11 km/h   |
| max. Geschwindigkeit rückwärts | 2,7 km/h  |
| Motor - Hersteller             | Briggs & Stratton                                   |
| Motor-Modell                   | Intek OHV, 2 Zylinder                               |
| Spezifikation                  | 405777 0131-E1 990405YG                             |
| Motor - Nr. WOLF               | 1002000   |
| Hubraum                        | 656 cm  |
| Nennleistung                   | 10,5 kW   |
| Drehzahl                       | 3000 min.-1   |
| Schmierung                     | Mehrbereichsöl, HD SAE 15-W40 (2,1l)                |
| Tankinhalt                     | 7 L   |
| Zündkerze                      | Champion RC12YC                                     |
| Fangsack                       | 300 L, Akustische Füllstandsanzeige,<br>Heckauswurf |
| Besonderheiten                 | Anhängerkupplung                                    |

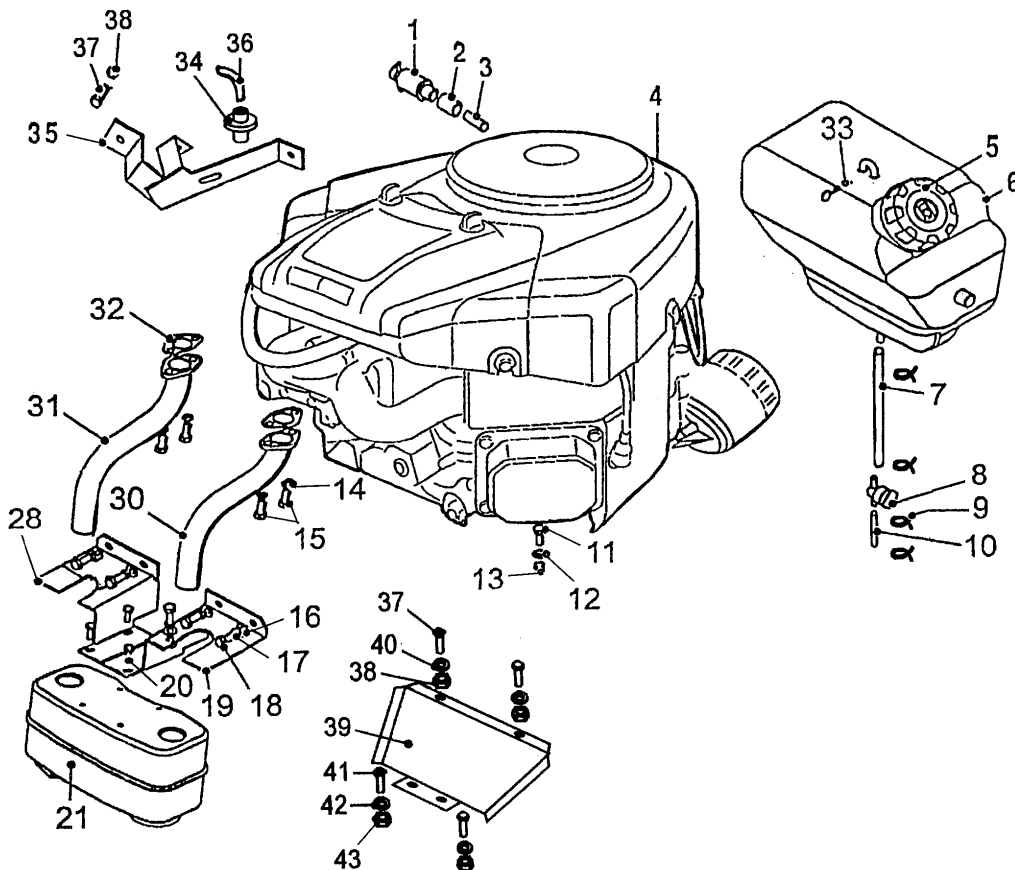
## TRAC OHV 7, series A

### Equipment Petrol-mowers

|                           |   |
|---------------------------|---|
| order code                | Trac OHV7   |
| version for               | International                                     |
| article number            | 6205 000  |
| cutting width             | 102   |
| mower                     | 2 blades / twin mowersystem floating              |
| height adjustment         | central, 7-fold                                   |
| cutting height            | 25 - 95 mm  |
| weight                    | 262 kg  |
| measurements L/B/H        | 2400 mm/1060 mm/1100 mm                           |
| noise level               | 100 dB (A)  |
| front wheel, air pressure | 16X6.5-8 1,0bar                                   |
| at the back, air pressure | 20X10,0-8 0,7bar                                  |
| inflection circle         | 74 cm   |
| battery                   | 12V / 22Ah  |
| gear mechanism            | Tuff Torgue Model K-46                            |
| gears                     | infinitely variable hydrostatic transmission      |
| max. speed forward        | 10 km/h   |
| max. speed reverse        | 2,7 km/h  |
| motor producer            | Briggs & Stratton                                 |
| motor-type                | Intek OHV, 2-cylinder                             |
| specification             | 405777 0131-E1 990405YG                           |
| motor-number WOLF         | 1002000   |
| capacity                  | 656 cm  |
| nominal capacity          | 10,5 kW   |
| rotary frequency          | 3000 min.-1                                       |
| greasing                  | multigrade oil, HD SAE 15-W40 (2,1l)              |
| tank capacity             | 7 L   |
| spark plug                | Champion RC12YC                                   |
| collector box             | acoustical grassbox fill indicator, rear ejection |
| special features          | trailer coupling                                  |

Ⓓ Trac OHV 7 6205 000 Motor

ⒼⒷ Trac OHV 7 6205 000 motor



## Trac OHV 7 Motor

| Bild-Nr. | Best.-Nr. | Bezeichnung                       | Menge |
|----------|-----------|-----------------------------------|-------|
| 1        | 6205 049  | Ölablassventil                    | 1     |
| 2        | 6205 537  | Ölablasskoppler                   | 1     |
| 3        | 6205 543  | Ölablassfitting 3/8" NPTx4"       | 1     |
| 4        | 1002 000  | Motor-Intek V-Twin 18PS-B&S       | 1     |
| 5        | 6205 323  | Tankverschlusskappe               | 1     |
| 6        | 6205 315  | Kraftstofftank                    | 1     |
| 7        | 6205 335  | Kraftstoffleitung, 320mm          | 1     |
| 8        | 6205 143  | Tankventil                        | 1     |
| 9        | 6205 142  | Klemme für Kraftstoffleitung      | 4     |
| 10       | 6205 345  | Kraftstoffleitung, 120mm          | 1     |
| 11       | 6205 569  | 6kt.-Schraube M8x35-DIN 933 8.8   | 4     |
| 12       | 0017 123  | Scheibe 8,4-DIN 125A              | 4     |
| 13       | 0016 312  | Mutter, selbsts. M8-DIN 985 CL..8 | 4     |
| 14       | 0017 909  | Federring 8-DIN 127B              | 4     |
| 15       | 6205 123  | Schraube 5/16-18NC 3/4LG          | 4     |
| 16       | 0017 123  | Scheibe 8,4-DIN 125A              | 4     |
| 17       | 0017 909  | Federring 8-DIN 127B              | 4     |
| 18       | 0010 402  | 6kt.-Schraube M8x20-DIN 933 8.8   | 4     |
| 19       | 6205 486  | Hitzeschutz, links                | 1     |
| 20       | 6205 548  | Gewinde-Formschr. 1/4"-20-1/2     | 4     |
| 21       | 6205 350  | Schalldämpfer                     | 1     |
| 28       | 6205 487  | Hitzeschutz, rechts               | 1     |
| 30       | 6205 552  | Auspuffrohr, links -Intek         | 1     |
| 31       | 6205 553  | Auspuffrohr, rechts - Intek       | 1     |
| 32       | 6205 351  | Auspuffabdichtung -lintek         | 2     |
| 33       | 6205 107  | Klammer 214 (CP85H)               | 1     |
| 34       | 6205 336  | Kraftstofffilter                  | 1     |
| 35       | 6205 489  | Klammerblech                      | 1     |
| 36       | 6205 326  | Kraftstoffleitung                 | 1     |
| 37       | 0010 383  | 6kt.-Schraube M6x12-DIN 933 8.8   | 2     |
| 38       | 0016 311  | Mutter M6-DIN 985 8.8             | 2     |
| 39       | 6205 496  | Hitzeblech                        | 1     |

**Trac OHV 7 Motor**

| Bild-Nr. | Best.-Nr. | Bezeichnung                      | Menge |
|----------|-----------|----------------------------------|-------|
| 40       | 0017 121  | Scheibe 6,4 DIN 125A             | 2     |
| 41       |           |                                  | 2     |
| 42       | 0000 000  | Scheibe 5,3-DIN 9021B            | 2     |
| 43       | 0016 310  | Mutter, selbsts. M5-DIN 985 CL.8 | 2     |

english: see next page

## Trac OHV 7 engine

| Ref. No. | Part No. | description                             | pieces |
|----------|----------|---|--------|
| 1        | 6205 049 | Oil drain valve 7409                    | 1      |
| 2        | 6205 537 | Oil drain coupler                       | 1      |
| 3        | 6205 543 | Oil drain fitting 3/8 NPT x 4"          | 1      |
| 4        | 1002 000 | Engine, INTEK V-TWIN 18 HP-B&S          | 1      |
| 5        | 6205 323 | Fuel tank cap                           | 1      |
| 6        | 6205 315 | Fuel tank                               | 1      |
| 7        | 6205 335 | Fuel line                               | 1      |
| 8        | 6205 143 | Fuel tank valve                         | 1      |
| 9        | 6205 142 | Spring clip UM 5008                     | 4      |
| 10       | 6205 345 | Fuel line 120 mm                        | 1      |
| 11       | 6205 569 | Hex screw M 8x35                        | 4      |
| 12       | 0017 123 | Flat washer 8.4                         | 4      |
| 13       | 0016 312 | Self locking nut M8 DIN 985 Cl.8        | 4      |
| 14       | 0017 909 | Spring washer 8 DIN 127B BN763          | 4      |
| 15       | 6205 123 | Taptite 5/16 - 18 NC x 3/4 LG, HWH      | 4      |
| 16       | 0017 123 | Flat washer 8.4                         | 4      |
| 17       | 0017 909 | Spring washer 8 DIN 127B BN763          | 4      |
| 18       | 0010 402 | Hex screw M8 x 20 DIN 933 8.8           | 4      |
| 19       | 6205 486 | Muffler heat guard, left                | 1      |
| 20       | 6205 548 | Taptite thread form screw 1/4"-20 - 1/2 | 4      |
| 21       | 6205 350 | Muffer 18 hp                            | 1      |
| 28       | 6205 487 | Muffler heat guard, right               | 1      |
| 30       | 6205 552 | Manifold LH-18 hp V-Twin Intek          | 1      |
| 31       | 6205 553 | Manifold RH-18 hp V-Twin Intek, Right   | 1      |
| 32       | 6205 351 | Exhaust gasket 18 HP-INTEK              | 2      |
| 33       | 6205 107 | Hair pin clip                           | 1      |
| 34       | 6205 336 | Fuel Filter                             | 1      |
| 35       | 6205 489 | Bracket                                 | 1      |
| 36       | 6205 326 | Fuel line                               | 1      |
| 37       | 0010 383 | Screw M6x12 DIN 933 8.8                 | 2      |
| 38       | 0016 311 | Self-locking nut M6 DIN 985 Cl.8        | 2      |
| 39       | 6205 496 | Heat shield                             | 1      |

## Trac OHV 7 engine

| Ref. No. | Part No. | description               | pieces |
|----------|----------|---------------------------|--------|
| 40       | 0017 121 | Flat washer 6.4 DIN 125 A | 2      |
| 41       | 6205 538 | Screw M5x12 Ecofix 4.8    | 2      |
| 42       |          |                           | 2      |
| 43       | 0016 310 | Nut M5 DIN 985 KL8        | 2      |





**Trac OHV 7 Vorderachse**

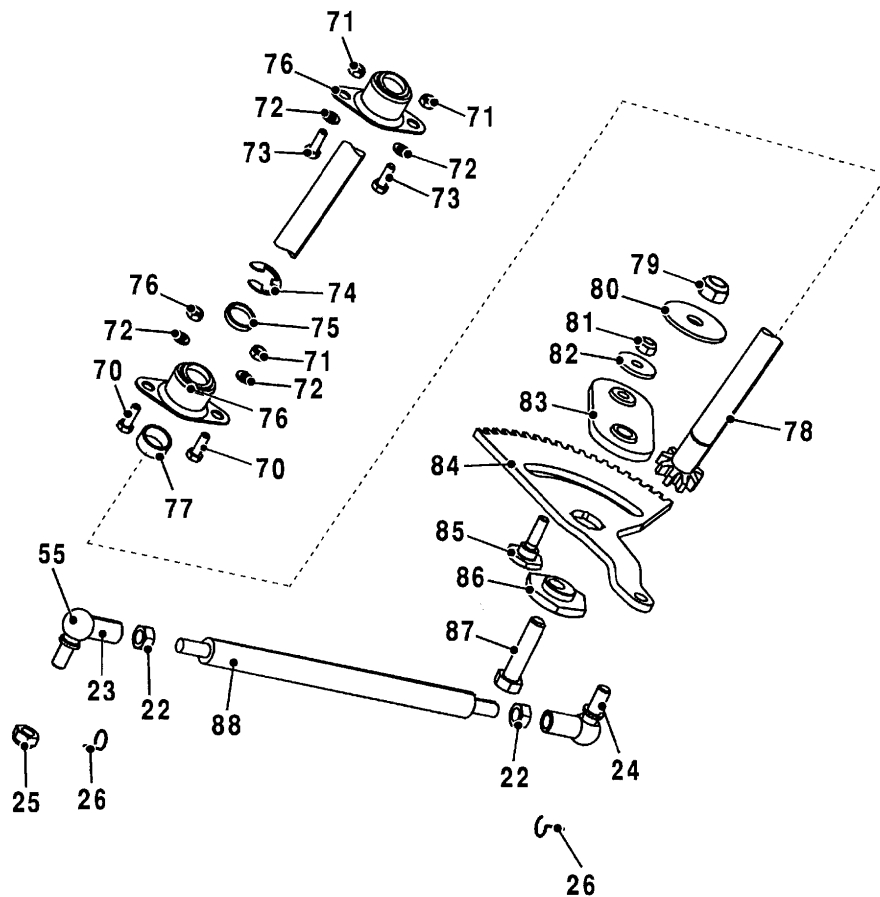
| Bild-Nr. | Best.-Nr. | Bezeichnung                        | Menge |
|----------|-----------|------------------------------------|-------|
| 1        | 6205 580  | 6kt.-Schraube M12x90-DIN 931 8.8   | 1     |
| 2        | 6205 575  | 6kt.-Schraube M10x75-DIN 931 8.8   | 2     |
| 3        | 6205 153  | Distanzbuchse                      | 2     |
| 4        | 6205 144  | Schmiernippel mk-6x1               | 3     |
| 5        | 0017 128  | Scheibe 19-DIN 125A                | 4     |
| 6        | 0022 415  | Sicherungsscheibe 15-DIN 6799      | 2     |
| 7        | 6205 121  | Vorderachse                        | 1     |
| 8        | 0017 124  | Scheibe 10,5-DIN 125A              | 2     |
| 9        | 0016 316  | Mutter, selbsts. M10-DIN 985 CL.8  | 2     |
| 10       | 6205 170  | Buchse                             | 2     |
| 11       | 6205 564  | Mutter, selbsts. M12-DIN 982 CL.8  | 1     |
| 12       | 6205 116  | Spurstange                         | 1     |
| 13       | 6205 555  | Scheibenfeder 5x7,5-DIN 6888       | 1     |
| 14       | 0016 311  | Mutter, selbsts. M6-DIN 985 CL.8   | 1     |
| 15       | 6205 307  | Kappe, schwarz 1-1/2 SC            | 2     |
| 16       | 0022 415  | Sicherungsscheibe 15-DIN 6799      | 2     |
| 17       | 6205 122  | Scheibe                            | 2     |
| 18       | 6205 040  | Vorderrad, kpl. 16x6,5-8           | 2     |
| 19       | 6205 461  | Achse, links                       | 1     |
| 20       | 0010 313  | 6kt.-Schraube M6x45-DIN 931 8.8    | 1     |
| 21       | 6205 508  | Achshebel                          | 1     |
| 22       | 0016 214  | 6kt.-Mutter M10-DIN 934 CL.8       | 2     |
| 23       | 6205 146  | Kugelgelenk-GehÄuse 16-DIN 71805B | 2     |
| 24       | 6205 145  | Kugelbolzen 16-DIN 71803C          | 2     |
| 25       | 6205 134  | Mutter, selbsts. M10-Tensil.CL.8   | 2     |
| 26       | 6205 559  | Drahtsicherung 16-DIN 71805S       | 2     |
| 27       | 6205 460  | Achse, rechts                      | 1     |
| 50       | 6205 313  | Reifen 16x6,5-8                    | 2     |
| 51       | 6205 309  | Schlauch 16x6,5-8                  | 2     |
| 54       | 6205 051  | Luftventil, kpl.                   | 2     |
| 55       | 6205 021  | Winkel-Kugelgelenk 16, kpl.        | 2     |

english: see next page

## Trac OHV 7 front axle

| Ref. No. | Part No. | description                        | pieces |
|----------|----------|------------------------------------|--------|
| 1        | 6205 580 | Hex screw M12x90 DIN 931 8.8       | 1      |
| 2        | 6205 575 | Hex Screw M10x75 DIN 931 8.8       | 2      |
| 3        | 6205 153 | Spacer                             | 2      |
| 4        | 6205 144 | Grease fitting MK 6x1              | 3      |
| 5        | 0017 128 | Flat washer 19 DIN 125 A           | 4      |
| 6        | 0022 415 | Spring clip "C" 15                 | 2      |
| 7        | 6205 121 | Front axle                         | 1      |
| 8        | 0017 124 | Flat washer B 10.5                 | 2      |
| 9        | 0016 316 | Self-locking nut M10 DIN 985 Cl.8  | 2      |
| 10       | 6205 170 | Front axle bushing                 | 2      |
| 11       | 6205 564 | Self-Locking nut M12 DIN 982 Cl.8  | 1      |
| 12       | 6205 116 | Tie rod                            | 1      |
| 13       | 6205 555 | Square key 5x7.5                   | 1      |
| 14       | 0016 311 | Self-locking nut M6 DIN 985 Cl.8   | 1      |
| 15       | 6205 307 | Cap                                | 2      |
| 16       | 0022 415 | Spring clip "C" 15                 | 2      |
| 17       | 6205 122 | Washer                             | 2      |
| 18       | 6205 040 | Front tyre wheel assy 16/650x8     | 2      |
| 19       | 6205 461 | Spindle, left                      | 1      |
| 20       | 0010 313 | Hex screw M6x45 DIN 931 8.8        | 1      |
| 21       | 6205 508 | Steering spindle lever for Y2K     | 1      |
| 22       | 0016 214 | Hex nut M10 DIN 934 Cl.8           | 2      |
| 23       | 6205 146 | Ball joint 16 DIN 71 805 A TIE ROD | 2      |
| 24       | 6205 145 | Ball stud 16 DIN 71803 C           | 2      |
| 25       | 6205 134 | Self locking nut M 10 KL8          | 2      |
| 26       | 6205 559 | Locking stirrups 16 DIN 71805 S    | 2      |
| 27       | 6205 460 | Spindle, right                     | 1      |
| 50       | 6205 313 | Tyre 16x6.508                      | 2      |
| 51       | 6205 309 | Tube 16x6.508                      | 2      |
| 54       | 6205 051 | Tyre valve compl.                  | 2      |
| 55       | 6205 021 | Ball angle joint 16 - complete     | 2      |

- Ⓓ Trac OHV 7 6205 000 Lenkung
- ⒼⒷ Trac OHV 7 6205 000 steering



## Trac OHV 7 Lenkung

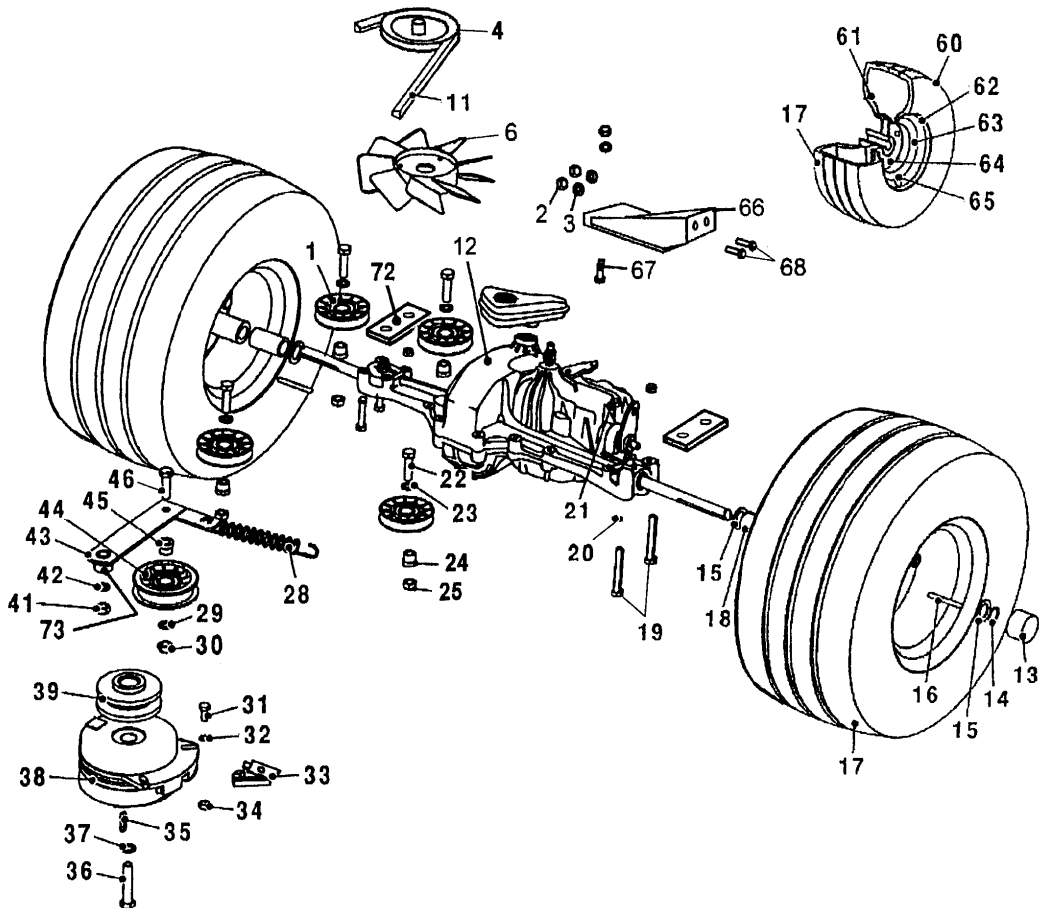
| Bild-Nr. | Best.-Nr. | Bezeichnung                       | Menge |
|----------|-----------|-----------------------------------|-------|
| 22       | 0016 214  | 6-kt. M10-DIN 934 CL.8            | 2     |
| 23       | 6205 146  | Kugelg.-Gehäuse 16-DIN 71805B     | 2     |
| 24       | 6205 145  | Kugelbolzen 16-DIN 71803C         | 2     |
| 25       | 6205 134  | Mutter, selbsts. M10-tensil. CL.8 | 2     |
| 26       | 6205 559  | Drahtsicherung 16-DIN 71805S      | 2     |
| 55       | 6205 021  | Winkel-Kugelgelenk 16, kpl.       | 2     |
| 70       | 0010 385  | 6kt.-Schraube M8x16-DIN 933 8.8   | 2     |
| 71       | 0016 312  | Mutter,selbsts. M8-DIN 985 CL.8   | 4     |
| 72       | 0017 123  | Scheibe 8,4-DIN 125A              | 4     |
| 73       | 0010 402  | 6kt.-Schraube M8x20-DIN 933 8.8   | 2     |
| 74       | 0022 415  | Sicherungsscheibe 15-DIN 6799     | 1     |
| 75       | 6205 482  | Distanzring, oben                 | 1     |
| 76       | 6205 541  | Lager FJB-12                      | 2     |
| 77       | 6205 481  | Distanzring, unten                | 1     |
| 78       | 6200 492  | Lenkwelle mit Zahnrad             | 1     |
| 79       | 6205 564  | Mutter, selbsts. M12-DIN 982 CL.8 | 1     |
| 80       | 6205 545  | Exzentrerscheibe 12,4x50x3        | 1     |
| 81       | 0016 312  | Mutter,selbsts. M8-DIN 985 CL.8   | 1     |
| 82       | 6205 568  | Scheibe 8,4-DIN 9021B             | 1     |
| 83       | 6205 544  | Lenkungsplatte                    | 1     |
| 84       | 6205 110  | Zahnsegment                       | 1     |
| 85       | 6205 542  | Passschraube                      | 1     |
| 86       | 6205 112  | Exzenterstück                     | 1     |
| 87       | 6205 578  | 6kt.-Schraube M12x45-DIN 933 8.8  | 1     |
| 88       | 6205 114  | Lenkzwischenstange                | 1     |

english: see next page

## Trac OHV 7 steering

| Ref. No. | Part No. | description                        | pieces |
|----------|----------|------------------------------------|--------|
| 22       | 0016 214 | Hex nut M10 DIN 934 Cl.8           | 2      |
| 23       | 6205 146 | Ball joint 16 DIN 71 805 A TIE ROD | 2      |
| 24       | 6205 145 | Ball stud 16 DIN 71803 C           | 2      |
| 25       | 6205 134 | Self locking nut M 10 KL8          | 2      |
| 26       | 6205 559 | Locking stirrups 16 DIN 71805 S    | 2      |
| 55       | 6205 021 | Ball angle joint 16 - complete     | 2      |
| 70       | 0010 385 | Hex screw M8x16 DIN 933 8.8        | 2      |
| 71       | 0016 312 | Self locking nut M8 DIN 985 Cl.8   | 4      |
| 72       | 0017 123 | Flat washer 8.4                    | 4      |
| 73       | 0010 402 | Hex screw M8 x 20 DIN 933 8.8      | 2      |
| 74       | 0022 415 | Spring clip "C" 15                 | 1      |
| 75       | 6205 482 | Spacer, upper                      | 1      |
| 76       | 6205 541 | Spherical bearing FJB 12           | 2      |
| 77       | 6205 481 | Spacer, lower                      | 1      |
| 78       | 6200 492 | Steering shaft pinion gear         | 1      |
| 79       | 6205 564 | Self-Locking nut M12 DIN 982 Cl.8  | 1      |
| 80       | 6205 545 | Eccentric bolt washer 12.4x50x3    | 1      |
| 81       | 0016 312 | Self locking nut M8 DIN 985 Cl.8   | 1      |
| 82       | 6205 568 | Flat washer 9 zinc.                | 1      |
| 83       | 6205 544 | Steering plate                     | 1      |
| 84       | 6205 110 | Sector gear                        | 1      |
| 85       | 6205 542 | Shoulder bolt                      | 1      |
| 86       | 6205 112 | Eccentric                          | 1      |
| 87       | 6205 578 | Hex screw M12x45 DIN 933 8.8       | 1      |
| 88       | 6205 114 | Drag link                          | 1      |

- Ⓓ Trac OHV 7 6205 000 Antrieb / Getriebe
- ⒼⒷ Trac OHV 7 6205 000 transmission drive



## Trac OHV 7 Antrieb / Getriebe

| Bild-Nr. | Best.-Nr. | Bezeichnung                       | Menge |
|----------|-----------|-----------------------------------|-------|
| 1        | 6205 171  | Spannrolle V3000-3316-Steel       | 4     |
| 2        | 0016 312  | Mutter,selbsts. M8-DIN 985 CL.8   | 7     |
| 3        | 0017 123  | Scheibe 8,4-DIN 125A              | 7     |
| 4        | 6205 168  | Riemenscheibe, Getriebe 4,5"      | 1     |
| 5        | 6205 513  | O-ring                            | 1     |
| 6        | 6205 168  | Riemenscheibe, Getriebe 4,5"      | 1     |
| 11       | 6205 340  | Keilriemen IA-103                 | 1     |
| 12       | 6205 050  | Getriebe, Tuff Torque-K46         | 1     |
| 13       | 6205 307  | Kappe, Schwarz 1-1/2 SC           | 2     |
| 14       | 0022 415  | Sicherungsscheibe 15-DIN 6799     | 2     |
| 15       | 6205 122  | Scheibe                           | 4     |
| 16       | 6205 140  | Passfeder 3/16x3/16x2.5           | 2     |
| 17       | 6205 041  | Hinterrad, kpl. 20x10.00-8        | 2     |
| 18       | 6205 166  | Distanzbuchse                     | 2     |
| 19       | 6205 575  | 6kt.-Schraube M10x75-DIN 931 8.8  | 4     |
| 20       | 0017 123  | Scheibe 8,4-DIN 125A              | 4     |
| 21       | 0016 312  | Mutter,selbsts. M8-DIN 985 CL.8   | 4     |
| 22       | 0010 346  | 6kt.-Schraube M10x40-DIN 931 8.8  | 4     |
| 23       | 0017 124  | Scheibe 10,5-DIN 125A             | 4     |
| 24       | 6205 154  | Buchse                            | 4     |
| 25       | 0016 316  | Mutter, selbsts. M10-DIN 985 CL.8 | 4     |
| 28       | 6205 424  | Zugfeder                          | 1     |
| 29       | 0017 124  | Scheibe 10,5-din 125a             | 1     |
| 30       | 0016 316  | Mutter, selbsts. M10-DIN 985 CL.8 | 1     |
| 31       | 0010 402  | 6kt.-Schraube M8x20-DIN 933 8.8   | 1     |
| 32       | 0017 123  | Scheibe 8,4-DIN 125A              | 1     |
| 33       | 6205 457  | Arretierung                       | 1     |
| 34       | 0016 312  | Mutter,selbsts. M8-DIN 985 CL.8   | 1     |
| 35       | 6205 135  | Passfeder 1/4x1/4x1-1/4           | 1     |
| 36       | 6205 139  | Schraube 7/16-20x2-1/2 LG         | 1     |
| 37       | 6205 136  | Federring 7/16                    | 1     |
| 38       | 6205 030  | Elektromagnetische Kupplung       | 1     |

## Trac OHV 7 Antrieb / Getriebe

| Bild-Nr. | Best.-Nr. | Bezeichnung                      | Menge |
|----------|-----------|----------------------------------|-------|
| 39       | 6205 161  | Riemenscheibe, Motor             | 1     |
| 41       | 0016 312  | Mutter,selbsts. M8-DIN 985 CL.8  | 1     |
| 42       | 6205 568  | Scheibe 8,4-DIN 9021B            | 1     |
| 43       | 6205 523  | Lenkzwischenhebel                | 1     |
| 44       | 6205 158  | Spannrolle F3000-0750            | 1     |
| 45       | 6205 154  | Buchse                           | 1     |
| 46       | 0010 346  | 6kt.-Schraube M10x40-DIN 931 8.8 | 1     |
| 47       | 6205 347  | Tankbehälter ohne Kappe          | 1     |
| 60       | 6205 310  | Reifen 20x10.00-8                | 2     |
| 61       | 6205 317  | Schlauch 20x10.00-8              | 2     |
| 62       | 6205 172  | Felge 20x10.00-8                 | 2     |
| 63       | 6205 173  | Radnabe                          | 2     |
| 64       | 6205 550  | Radmutter                        | 8     |
| 65       | 6205 051  | Luftventil, kpl.                 | 2     |
| 66       | 6205 524  | Abstützung                       | 1     |
| 67       | 0010 334  | Schraube M8x45-DIN 931 8.8       | 1     |
| 68       | 0010 395  | 6kt.-Schraube M8x25-DIN 933 8.8  | 2     |
| 72       | 6205 534  | Stützplatte                      | 2     |
| 73       | 6205 144  | Schmiernippel MK-6x1             | 1     |

english: see next page



## Trac OHV 7 transmission drive

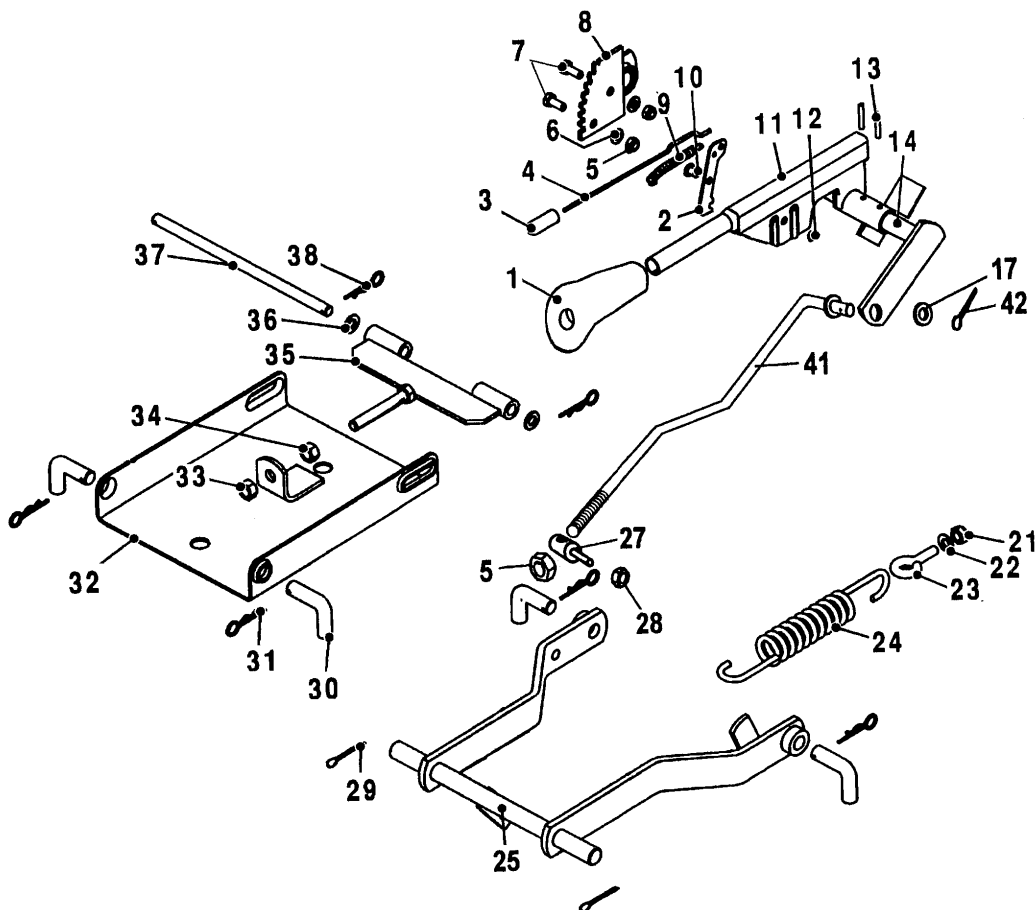
| Ref. No. | Part No. | description                        | pieces |
|----------|----------|------------------------------------|--------|
| 1        | 6205 171 | Idler pulley V 3000 - 3316 - steel | 4      |
| 2        | 0016 312 | Self locking nut M8 DIN 985 Cl.8   | 7      |
| 3        | 0017 123 | Flat washer 8.4                    | 7      |
| 4        | 6205 168 | Transmision pulley 4.5"            | 1      |
| 5        | 6205 513 | E-ring                             | 1      |
| 6        | 6205 168 | Transmission fan                   | 1      |
| 11       | 6205 340 | V Belt LA 103                      | 1      |
| 12       | 6205 050 | Transm. Tuff Torque                | 1      |
| 13       | 6205 307 | Cap                                | 2      |
| 14       | 0022 415 | Spring clip "C" 15                 | 2      |
| 15       | 6205 122 | Washer                             | 4      |
| 16       | 6205 140 | Square key 3/16x3/16x2.5           | 2      |
| 17       | 6205 041 | Rear tyre wheel assy 20x10.00      | 2      |
| 18       | 6205 166 | Spacer                             | 2      |
| 19       | 6205 575 | Hex Screw M10x75 DIN 931 8.8       | 4      |
| 20       | 0017 123 | Flat washer 8.4                    | 4      |
| 21       | 0016 312 | Self locking nut M8 DIN 985 Cl.8   | 4      |
| 22       | 0010 346 | Hex screw M10 x 40 DIN 931 8.8     | 4      |
| 23       | 0017 124 | Flat washer B 10.5                 | 4      |
| 24       | 6205 154 | Idler bushing                      | 4      |
| 25       | 0016 316 | Self-locking nut M10 DIN 985 Cl.8  | 4      |
| 28       | 6205 424 | Spring                             | 1      |
| 29       | 0017 124 | Flat washer B 10.5                 | 1      |
| 30       | 0016 316 | Self-locking nut M10 DIN 985 Cl.8  | 1      |
| 31       | 0010 402 | Hex screw M8 x 20 DIN 933 8.8      | 1      |
| 32       | 0017 123 | Flat washer 8.4                    | 1      |
| 33       | 6205 457 | Retainer 93636216                  | 1      |
| 34       | 0016 312 | Self locking nut M8 DIN 985 Cl.8   | 1      |
| 35       | 6205 135 | Square key 1/4x1/4x1 1/4           | 1      |
| 36       | 6205 139 | Screw                              | 1      |
| 37       | 6205 136 | Spring washer 7/16                 | 1      |
| 38       | 6205 030 | El. magnet clutch MSS - 80C 5217-9 | 1      |

## Trac OHV 7 transmission drive

| Ref. No. | Part No. | description                      | pieces |
|----------|----------|----------------------------------|--------|
| 39       | 6205 161 | Engine pulley 4,0"               | 1      |
| 41       | 0016 312 | Self locking nut M8 DIN 985 Cl.8 | 1      |
| 42       | 6205 568 | Flat washer 9 zinc.              | 1      |
| 43       | 6205 523 | Idler arm pulley                 | 1      |
| 44       | 6205 158 | Idler pulley F 3000 - 0750       | 1      |
| 45       | 6205 154 | Idler bushing                    | 1      |
| 46       | 0010 346 | Hex screw M10 x 40 DIN 931 8.8   | 1      |
| 47       | 6205 347 | Reservoir tank w/out cap         | 1      |
| 60       | 6205 310 | Tyre 20x10.008                   | 2      |
| 61       | 6205 317 | Tube 20x10.008                   | 2      |
| 62       | 6205 172 | Rim 20x10.008                    | 2      |
| 63       | 6205 173 | Hub wheel                        | 2      |
| 64       | 6205 550 | Wheel nut                        | 8      |
| 65       | 6205 051 | Tyre valve compl.                | 2      |
| 66       | 6205 524 | Transmission stabilizer          | 1      |
| 67       | 0010 334 | Screw M8x45 DIN 985 k.8          | 1      |
| 68       | 0010 395 | Hex screw M8 x 25 DIN 933 8.8    | 2      |
| 72       | 6205 534 | Support plate                    | 2      |
| 73       | 6205 144 | Grease fitting MK 6x1            | 1      |

Ⓓ Trac OHV 7 6205 000 Bedienungselemente Höhen-  
verstellung

Ⓔ Trac OHV 7 6205 000 operation mower / lift



## Trac OHV 7 Bedienungselemente Höhenverstellung

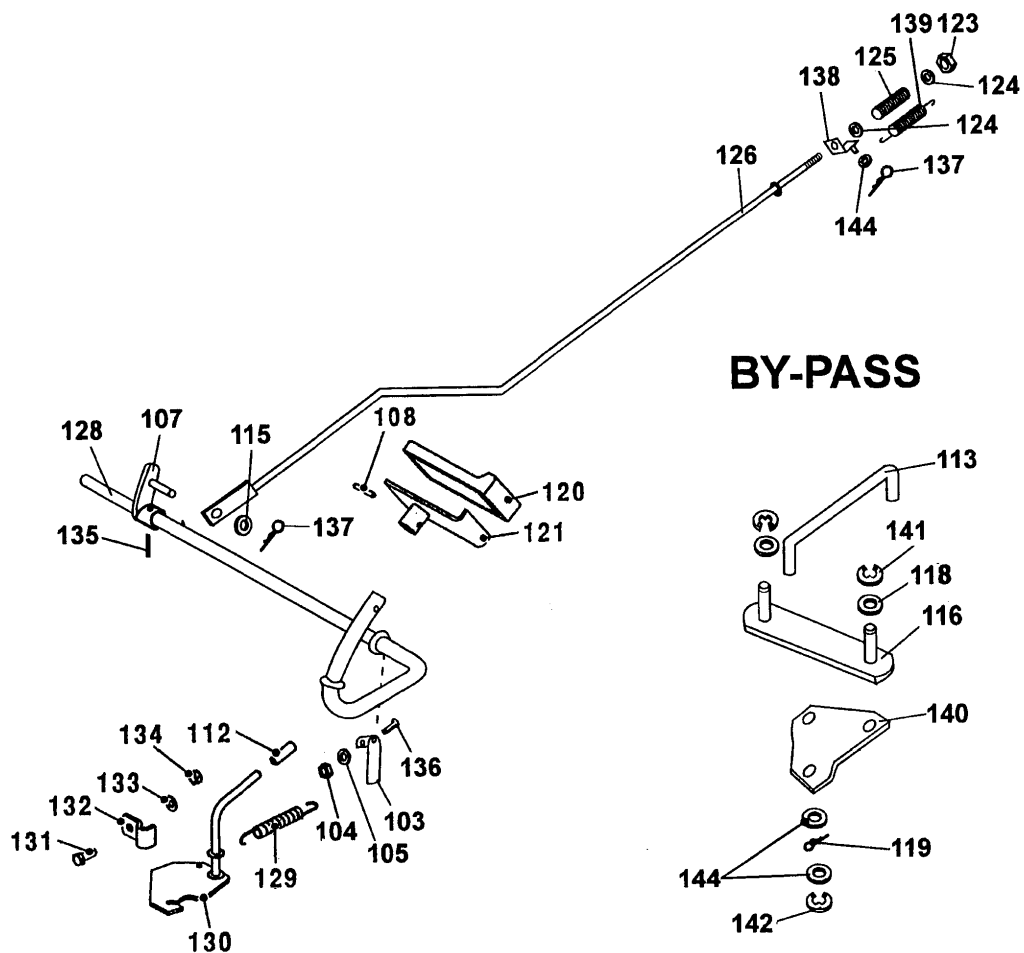
| Bild-Nr. | Best.-Nr. | Bezeichnung                       | Menge |
|----------|-----------|-----------------------------------|-------|
| 1        | 6205 320  | Griff, schwarz                    | 1     |
| 2        | 6205 103  | Rastlasche                        | 1     |
| 3        | 6205 305  | Druckknopf, schwarz               | 1     |
| 4        | 6205 111  | Verbindungsstab                   | 1     |
| 5        | 0016 312  | Mutter,selbsts. M8-DIN 985 CL.8   | 3     |
| 7        | 0010 402  | 6kt.-Schraube M8x20-DIN 933 8.8   | 2     |
| 8        | 6205 488  | Zahnsegment                       | 1     |
| 9        | 6205 415  | Zugfeder                          | 1     |
| 10       | 6205 480  | Stift für Hebelarm                | 1     |
| 11       | 6205 458  | Höheneinstellungsarm              | 1     |
| 12       | 6205 585  | Sicherungsscheibe 6-DIN 6799      | 1     |
| 13       | 6205 571  | Spannstift 5x30-DIN 1481          | 2     |
| 14       | 6205 495  | Achse, Höheneinstellung           | 1     |
| 17       | 0017 123  | Scheibe 8,4-DIN 125A              | 3     |
| 21       | 0016 316  | Mutter, selbsts. M10-DIN 985 CL.8 | 1     |
| 22       | 0017 124  | Scheibe 10,5-DIN 125A             | 1     |
| 23       | 6205 455  | Augenschraube M10x50x14-ZC        | 1     |
| 24       | 6205 419  | Zugfeder                          | 1     |
| 25       | 6205 020  | Schwenkarm, kpl.                  | 1     |
| 27       | 6205 118  | Bolzen                            | 1     |
| 28       | 0016 316  | Mutter, selbsts. M10-DIN 985 CL.8 | 1     |
| 29       | 6205 560  | Splint 5x50-DIN 94                | 2     |
| 30       | 6205 459  | Bolzen, gebogen                   | 4     |
| 31       | 6205 107  | Klammer 214 (CP85H)               | 4     |
| 32       | 6205 324  | Abdeckung, Vorderaufhängung       | 1     |
| 33       | 6205 564  | Mutter, selbsts.M12-DIN 982 CL.8  | 1     |
| 34       | 6205 557  | 6kt.-Mutter M12-DIN 934 CL.8      | 1     |
| 35       | 6205 456  | Vorderhalter                      | 1     |
| 36       | 0017 125  | Scheibe 13-DIN 125A               | 2     |
| 37       | 6205 109  | Bolzen                            | 1     |
| 38       | 6205 120  | Klammer                           | 2     |
| 41       | 6205 521  | Höheneinstellungsstange           | 1     |
| 42       | 6205 563  | Splint 2x18-DIN 94                | 1     |

english: see next page

**Trac OHV 7 operation mower / lift**

| Ref. No. | Part No. | description                       | pieces |
|----------|----------|-----------------------------------|--------|
| 1        | 6205 320 | Handle grip - black               | 1      |
| 2        | 6205 103 | Ratchet pivot plate               | 1      |
| 3        | 6205 305 | Plunger button                    | 1      |
| 4        | 6205 111 | Connection rod                    | 1      |
| 5        | 0016 312 | Self locking nut M8 DIN 985 Cl.8  | 3      |
| 7        | 0010 402 | Hex screw M8 x 20 DIN 933 8.8     | 2      |
| 8        | 6205 488 | Gear segment                      | 1      |
| 9        | 6205 415 | Spring                            | 1      |
| 10       | 6205 480 | Arm lever pin                     | 1      |
| 11       | 6205 458 | Height adjustment arm lever       | 1      |
| 12       | 6205 585 | Clip for pin 6 DIN 6799           | 1      |
| 13       | 6205 571 | Spring pin 5x30 DIN 1481          | 2      |
| 14       | 6205 495 | Height adjuster shaft             | 1      |
| 17       | 0017 123 | Flat washer 8.4                   | 3      |
| 21       | 0016 316 | Self-locking nut M10 DIN 985 Cl.8 | 1      |
| 22       | 0017 124 | Flat washer B 10.5                | 1      |
| 23       | 6205 455 | Screw                             | 1      |
| 24       | 6205 419 | Spring                            | 1      |
| 25       | 6205 020 | Pivot arm assy                    | 1      |
| 27       | 6205 118 | Screw (SP)                        | 1      |
| 28       | 0016 316 | Self-locking nut M10 DIN 985 Cl.8 | 1      |
| 29       | 6205 560 | Cotter pin 5x50 DIN 94            | 2      |
| 30       | 6205 459 | Bent pin                          | 4      |
| 31       | 6205 107 | Hair pin clip                     | 4      |
| 32       | 6205 324 | Front suspension mower deck       | 1      |
| 33       | 6205 564 | Self-Locking nut M12 DIN 982 Cl.8 | 1      |
| 34       | 6205 557 | Hex nut M 12                      | 1      |
| 35       | 6205 456 | Front holder                      | 1      |
| 36       | 0017 125 | Flat washer 13 DIN 125 A          | 2      |
| 37       | 6205 109 | Pin                               | 1      |
| 38       | 6205 120 | Hair pin clip, H.D.               | 2      |
| 41       | 6205 521 | Rot                               | 1      |
| 42       | 6205 563 | Cotter pin 2x18 DIN 94            | 1      |

- Ⓓ Trac OHV 7 6205 000 Bedienungselemente Bremse
- ⒼⒷ Trac OHV 7 6205 000 operation brake



## Trac OHV 7 Bedienungselemente Bremse

| Bild-Nr. | Best.-Nr. | Bezeichnung                      | Menge |
|----------|-----------|----------------------------------|-------|
| 103      | 6205 483  | Federhebel                       | 1     |
| 104      | 0017 119  | Scheibe 4,3-DIN 125A             | 1     |
| 105      | 0016 309  | Mutter, selbsts. M4-DIN 985 CL.8 | 1     |
| 106      | 0017 123  | Scheibe 8,4-DIN 125A             | 1     |
| 107      | 6205 525  | Klammer für Bremsstange          | 1     |
| 108      | 6205 571  | Spannstift 5x30-DIN 1481         | 1     |
| 112      | 6205 155  | Hülse A281/B11/2                 | 1     |
| 113      | 6205 505  | Überbrückungshebel               | 1     |
| 115      | 0017 123  | Scheibe 8,4-DIN 125A             | 1     |
| 116      | 6205 536  | Hebelarm                         | 1     |
| 118      | 0017 121  | Scheibe 6,4 DIN 125A             | 4     |
| 119      | 0018 925  | Splint 1,6x12-DIN 94             | 1     |
| 120      | 6205 308  | Pedalauflage, schwarz            | 1     |
| 121      | 6205 494  | Pedal                            | 1     |
| 122      | 6205 416  | Zugfeder                         | 1     |
| 123      | 0016 312  | Mutter, selbsts. M8-DIN 985 CL.8 | 1     |
| 124      | 0017 123  | Scheibe 8,4-DIN 125A             | 3     |
| 125      | 6205 417  | Druckfeder                       | 1     |
| 126      | 6205 517  | Bremsverbindungsstange           | 1     |
| 128      | 6205 522  | Bremsachse                       | 1     |
| 129      | 6205 418  | Zugfeder                         | 1     |
| 130      | 6205 493  | Hebel für Handbremse             | 1     |
| 131      | 0010 402  | 6kt.-Schraube M8x20-DIN 933 8.8  | 1     |
| 132      | 6205 113  | Feststellklemme                  | 1     |
| 133      | 0017 123  | Scheibe 8,4-DIN 125A             | 1     |
| 134      | 0016 312  | Mutter, selbsts. M8-DIN 985 CL.8 | 1     |
| 135      | 6205 566  | Spannstift 5x22-DIN 1481         | 1     |
| 136      | 6205 576  | 6kt.-Schraube M4x25-DIN 933 8.8  | 1     |
| 137      | 6205 512  | Splint 10,3-20 BEE2              | 2     |
| 138      | 6205 531  | Klammer                          | 1     |
| 139      | 6205 425  | Zugfeder                         | 1     |
| 140      | 6205 533  | Überbrückungsplatte              | 1     |

## Trac OHV 7 Bedienungselemente Bremse

| Bild-Nr. | Best.-Nr. | Bezeichnung                  | Menge |
|----------|-----------|------------------------------|-------|
| 141      | 6205 572  | Sicherungsscheibe 4-DIN 6799 | 2     |
| 142      | 6205 556  | Sicherungsscheibe 7-DIN 6799 | 1     |
| 144      | 0017 124  | Scheibe 10,5-DIN 125A        | 1     |

english: see next page

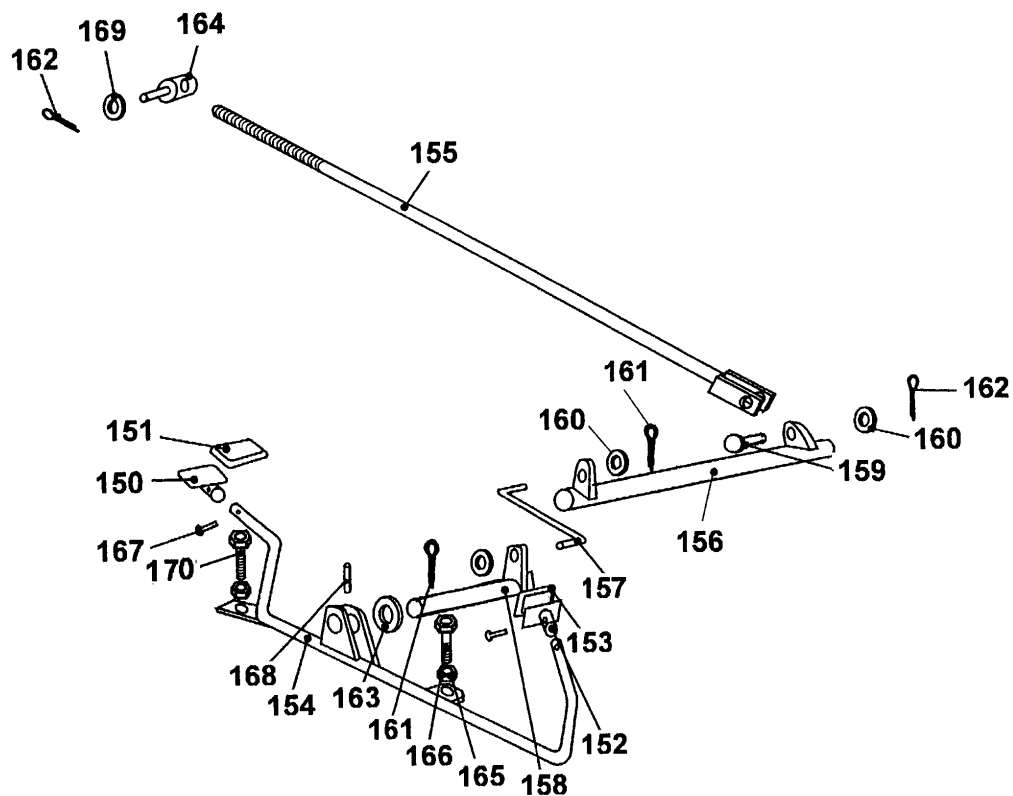


**Trac OHV 7 operation brake**

| Ref. No. | Part No. | description                      | pieces |
|----------|----------|----------------------------------|--------|
| 103      | 6205 483 | Spring lever                     | 1      |
| 104      | 0017 119 | Flat washer 4.3 DIN 125 A        | 1      |
| 105      | 0016 309 | Self locking nut M 4             | 1      |
| 106      | 0017 123 | Flat washer 8.4                  | 1      |
| 107      | 6205 525 | Bracket, brake rod               | 1      |
| 108      | 6205 571 | Spring pin 5x30 DIN 1481         | 1      |
| 112      | 6205 155 | Lever tip SCAPS A 281            | 1      |
| 113      | 6205 505 | Lever bypass                     | 1      |
| 115      | 0017 123 | Flat washer 8.4                  | 1      |
| 116      | 6205 536 | Arm, by-pass lever               | 1      |
| 118      | 0017 121 | Flat washer 6.4 DIN 125 A        | 4      |
| 119      | 0018 925 | Cotter pin 1.6 x 12 DIN 94       | 1      |
| 120      | 6205 308 | Pedal pad                        | 1      |
| 121      | 6205 494 | Pedal                            | 1      |
| 122      | 6205 416 | Spring                           | 1      |
| 123      | 0016 312 | Self locking nut M8 DIN 985 Cl.8 | 1      |
| 124      | 0017 123 | Flat washer 8.4                  | 3      |
| 125      | 6205 417 | Spring                           | 1      |
| 126      | 6205 517 | Brake connecting rod             | 1      |
| 128      | 6205 522 | Brake - shaft                    | 1      |
| 129      | 6205 418 | Spring                           | 1      |
| 130      | 6205 493 | Hand brake lever                 | 1      |
| 131      | 0010 402 | Hex screw M8 x 20 DIN 933 8.8    | 1      |
| 132      | 6205 113 | Holderclamp                      | 1      |
| 133      | 0017 123 | Flat washer 8.4                  | 1      |
| 134      | 0016 312 | Self locking nut M8 DIN 985 Cl.8 | 1      |
| 135      | 6205 566 | Spring pin 5x22                  | 1      |
| 136      | 6205 576 | Hex screw M4 x 25 DIN 933 8.8    | 1      |
| 137      | 6205 512 | Cotter pin 10.3-20 BEE2          | 2      |
| 138      | 6205 531 | Bracket, brake rod               | 1      |
| 139      | 6205 425 | Spring brake TT                  | 1      |
| 140      | 6205 533 | Platte by-pass                   | 1      |
| 141      | 6205 572 | Stirrup 4 DIN 6799               | 2      |
| 142      | 6205 556 | Locking ring 7 BN813 BS          | 1      |
| 144      | 0017 124 | Flat washer B 10.5               | 1      |

Ⓓ Trac OHV 7 6205 000 Bedienungselemente Antrieb

Ⓔ Trac OHV 7 6205 000 operation transmission drive



## Trac OHV 7 Bedienungselemente Antrieb

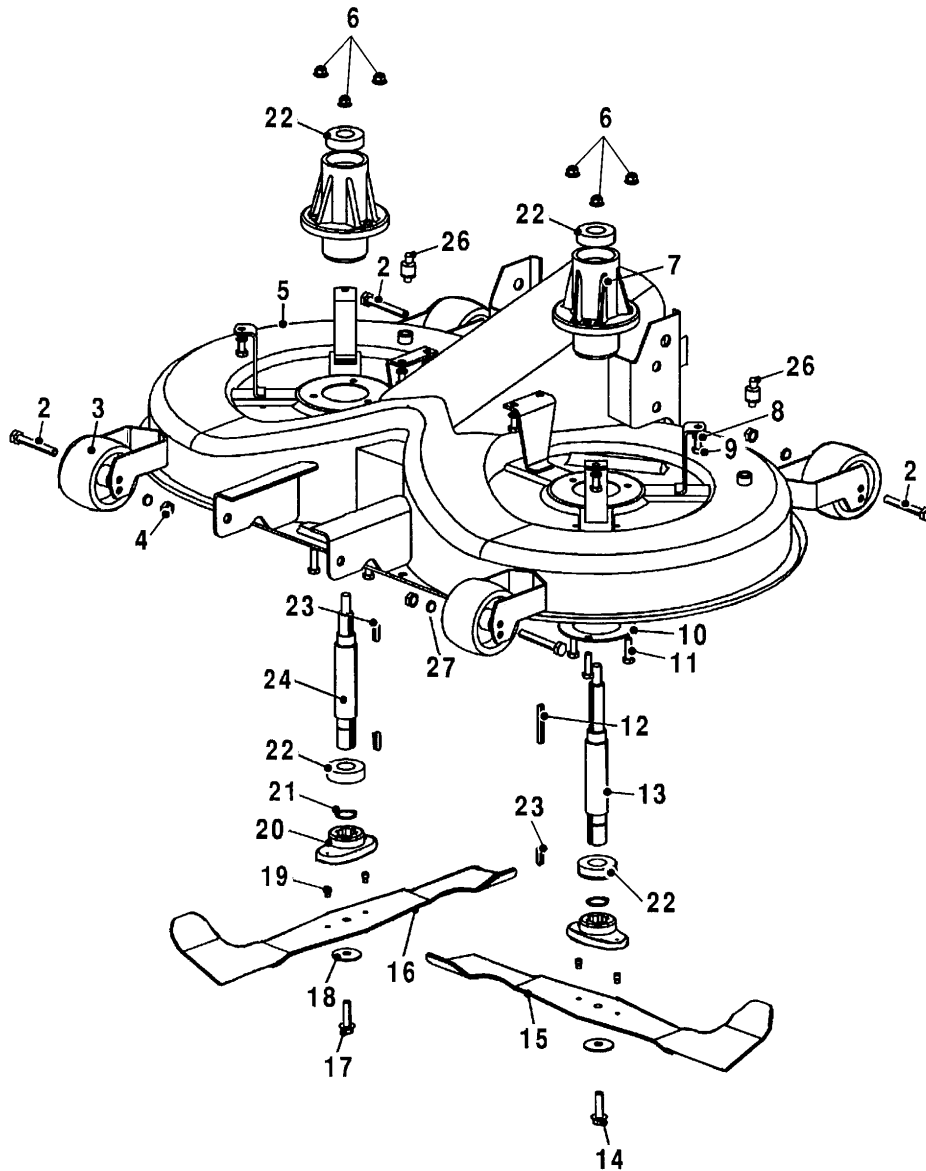
| Bild-Nr. | Best.-Nr. | Bezeichnung                     | Menge |
|----------|-----------|---------------------------------|-------|
| 150      | 6205 527  | Fahrpedal, rückwärts            | 1     |
| 151      | 6205 306  | Pedalaufgabe-Skoda              | 1     |
| 152      | 6205 528  | Fahrpedal, vorwärts             | 1     |
| 153      | 6205 312  | Pedalaufgabe, vorne             | 1     |
| 154      | 6205 018  | Fahrpedal, kpl. geschweisst     | 1     |
| 155      | 6205 526  | Zugstange                       | 1     |
| 156      | 6205 530  | Diagonalachse                   | 1     |
| 157      | 6205 498  | Verbindungsstück                | 1     |
| 158      | 6205 529  | Diagonalachse                   | 1     |
| 159      | 6205 497  | Bolzen                          | 1     |
| 160      | 0017 124  | Scheibe 10,5-din 125a           | 3     |
| 161      | 6205 563  | Splint 2x18-din 94              | 2     |
| 162      | 6205 562  | Splint 2,5x18-din 94            | 2     |
| 163      | 6205 167  | Distanzring                     | 1     |
| 164      | 6205 499  | Bolzen                          | 1     |
| 165      | 0016 213  | Mutter M8-DIN 934 CL.8          | 2     |
| 166      | 0010 339  | Schraube M8x60-DIN 931 8.8      | 1     |
| 167      | 6205 566  | Spannstift 5x22-DIN 1481        | 2     |
| 168      | 6205 574  | Spannstift 5x26-ISO 8750        | 1     |
| 169      | 6205 573  | Scheibe 9-DIN 126               | 1     |
| 170      | 0010 395  | 6kt.-Schraube M8x25-DIN 933 8.8 | 1     |

english: see next page

## Trac OHV 7 operation transmission drive

| Ref. No. | Part No. | description                              | pieces |
|----------|----------|--|--------|
| 150      | 6205 527 | Travel pedal, rear                       | 1      |
| 151      | 6205 306 | Pedal pad SKODA                          | 1      |
| 152      | 6205 528 | Travel pedal, front                      | 1      |
| 153      | 6205 312 | Pedal pad AVIA                           | 1      |
| 154      | 6205 018 | Travel pad weldment                      | 1      |
| 155      | 6205 526 | Tie rod                                  | 1      |
| 156      | 6205 530 | Diagonal shaft                           | 1      |
| 157      | 6205 498 | Formed link                              | 1      |
| 158      | 6205 529 | Diagonal shaft                           | 1      |
| 159      | 6205 497 | Pin                                      | 1      |
| 160      | 0017 124 | Flat washer B 10.5                       | 3      |
| 161      | 6205 563 | Cotter pin 2x18 DIN 94                   | 2      |
| 162      | 6205 562 | Cotter pin 2x18                          | 2      |
| 163      | 6205 167 | Spacer                                   | 1      |
| 164      | 6205 499 | Pin                                      | 1      |
| 165      | 0016 213 | Hex nut M8                               | 2      |
| 166      | 0010 339 | Hex screw m8x65 DIN 931 8.8 - 20" wheels | 1      |
| 167      | 6205 566 | Spring pin 5x22                          | 2      |
| 168      | 6205 574 | Spring pin 5x26 DIN 7346                 | 1      |
| 169      | 6205 573 | Washer 9 DIN 126                         | 1      |
| 170      | 0010 395 | Hex screw M8 x 25 DIN 933 8.8            | 1      |

- Ⓓ Trac OHV 7 6205 000 Mähgehäuse kpl. mit Anbauteilen
- ⒼⒷ Trac OHV 7 6205 000 cutting pan – mower housing compl.



## Trac OHV 7 Mähgehäuse kpl. mit Anbauteilen

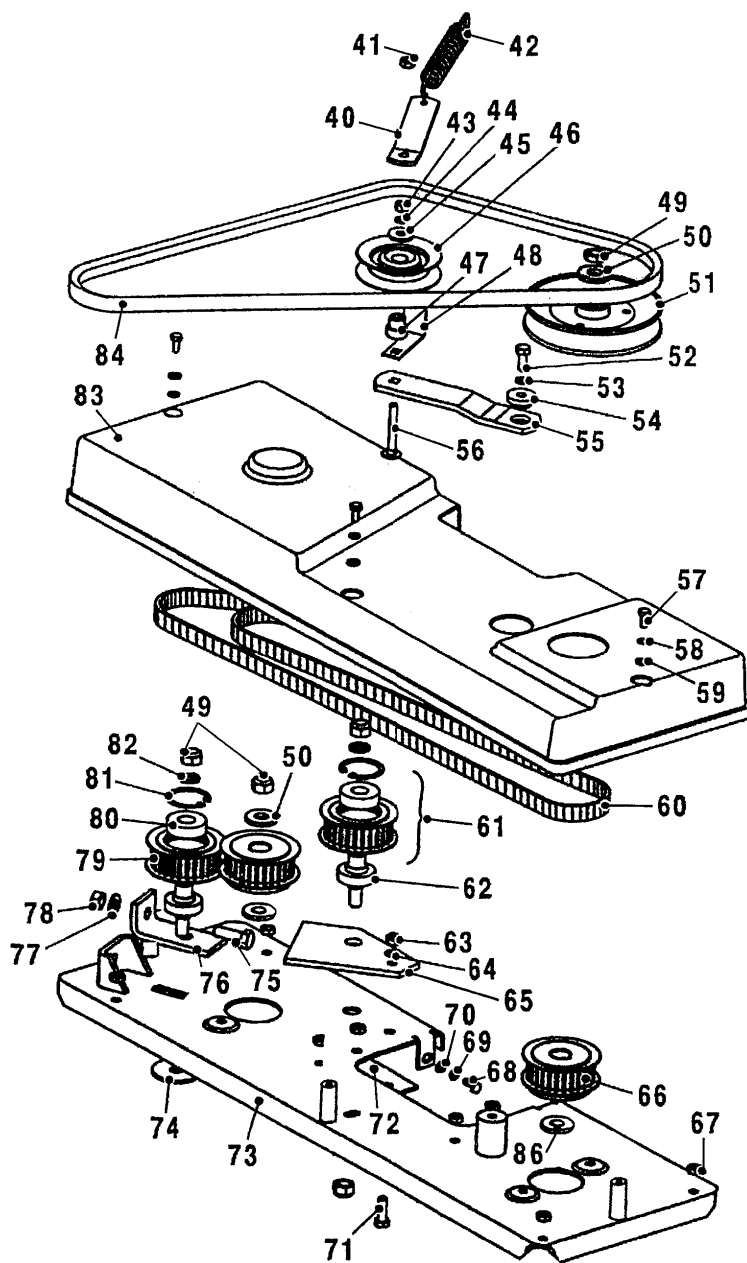
| Bild-Nr. | Best.-Nr. | Bezeichnung                          | Menge |
|----------|-----------|--------------------------------------|-------|
| 1        | 6205 032  | Mäheinrichtung, kpl.                 | 1     |
| 2        | 6205 579  | 6kt.-Schraube M10x90-DIN 931 8.8     | 4     |
| 3        | 6205 465  | Rolle für Mähgehäuse                 | 4     |
| 4        | 0016 316  | Mutter, selbsts. M10-DIN 985 CL.8    | 4     |
| 5        | 6205 033  | Mähgehäuse, kpl.                     | 1     |
| 6        | 0016 385  | Flanschm., selbsts. M8-DIN 6926 CL.8 | 6     |
| 7        | 6205 151  | Kupplungsbuchse                      | 2     |
| 8        | 0017 123  | Scheibe 8,4-DIN 125A                 | 8     |
| 9        | 0010 402  | 6kt.-Schraube M8x20-DIN 933 8.8      | 8     |
| 10       | 6205 547  | Stützring                            | 2     |
| 11       | 6205 581  | 6kt.-Flanschschr. M8x35-DIN 6921 8.8 | 6     |
| 12       | 6205 108  | Passfeder 6H9x6x63-DIN 6885A         | 1     |
| 13       | 6205 485  | Messerwelle, links                   | 1     |
| 14       | 6205 558  | Sechskantschraube M10x1x35           | 1     |
| 15       | 6205 401  | Messerbalken, links                  | 1     |
| 16       | 6205 400  | Messerbalken, rechts                 | 1     |
| 17       | 6205 128  | 6kt.-Schraube, linksgew. M10x1x35    | 1     |
| 18       | 6205 549  | Belleville-scheibe                   | 2     |
| 19       | 6205 138  | Scherstift, genutet                  | 4     |
| 20       | 6205 101  | Messeradapter                        | 2     |
| 21       | 0020 023  | Sicherungsring 25-din 471            | 2     |
| 22       | 0023 151  | Rillenkugellager 6205a 2rs           | 4     |
| 23       | 6205 554  | Passfeder 6H9x6x25-DIN 6885A         | 3     |
| 24       | 6205 484  | Messerwelle, rechts                  | 1     |
| 26       | 6205 339  | Kunststoffverbindung                 | 2     |
| 27       | 0017 124  | Scheibe 10,5-DIN125A                 | 4     |

english: see next page

**Trac OHV 7 cutting pan - mower housing compl.**

| Ref. No. | Part No. | description                              | pieces |
|----------|----------|--|--------|
| 1        | 6205 032 | Cutting system HYD 98                    | 1      |
| 2        | 6205 579 | Hex screw M10x90 DIN 931 8.8             | 4      |
| 3        | 6205 465 | Gauge wheel                              | 4      |
| 4        | 0016 316 | Self-locking nut M10 DIN 985 Cl.8        | 4      |
| 5        | 6205 033 | Mower housing, complete                  | 1      |
| 6        | 0016 385 | Self locking flange nut M8 DIN 6926 Cl.8 | 6      |
| 7        | 6205 151 | Quill housing                            | 2      |
| 8        | 0017 123 | Flat washer 8.4                          | 8      |
| 9        | 0010 402 | Hex screw M8 x 20 DIN 933 8.8            | 8      |
| 10       | 6205 547 | Ring support                             | 2      |
| 11       | 6205 581 | Hex flange bolt M8x35 DIN 6921 8.8       | 6      |
| 12       | 6205 108 | Key 6H 9x6x56                            | 1      |
| 13       | 6205 485 | Blade shaft, left                        | 1      |
| 14       | 6205 558 | Hex screw M10x1x35                       | 1      |
| 15       | 6205 401 | Blade, left                              | 1      |
| 16       | 6205 400 | Blade, right                             | 1      |
| 17       | 6205 128 | Hex screw M 10x1x35 left                 | 1      |
| 18       | 6205 549 | Belleville washer 5808-147-109           | 2      |
| 19       | 6205 138 | Breaking pin                             | 4      |
| 20       | 6205 101 | Blade adaptor                            | 2      |
| 21       | 0020 023 | Locking ring 25                          | 2      |
| 22       | 0023 151 | Bearing 6205 A 2RS                       | 4      |
| 23       | 6205 554 | Square key 6x6x25                        | 3      |
| 24       | 6205 484 | Blade shaft, right                       | 1      |
| 26       | 6205 339 | Plastic connection                       | 2      |
| 27       | 0017 124 | Flat washer B 10.5                       | 4      |

- Ⓓ Trac OHV 7 6205 000 Riemen / Übersetzung Mähwerk
- ⒼⒷ Trac OHV 7 6205 000 cutting pan drive system





## Trac OHV 7 Riemen / Übersetzung Mähwerk

| Bild-Nr. | Best.-Nr. | Bezeichnung                        | Menge |
|----------|-----------|------------------------------------|-------|
| 40       | 6205 102  | Einstellhebel                      | 1     |
| 41       | 0016 312  | Mutter,selbsts. M8-DIN 985 CL.8    | 1     |
| 42       | 6205 421  | Zugfeder                           | 1     |
| 43       | 0016 110  | 6kt.-Mutter M8-DIN 439B CL.04      | 1     |
| 44       | 0017 909  | Federring 8-DIN 127B               | 1     |
| 45       | 6205 568  | Scheibe 8,4-DIN 9021B              | 1     |
| 46       | 6205 157  | Riemenscheibe W3500-3712           | 1     |
| 47       | 6205 163  | Buchse                             | 1     |
| 48       | 6205 474  | Riemenarretierung                  | 1     |
| 49       | 6205 564  | Mutter, selbsts. M12-DIN 982 CL.8  | 6     |
| 50       | 0017 129  | Scheibe 21-DIN 125A                | 2     |
| 51       | 6205 160  | Antriebsriemenscheibe              | 1     |
| 52       | 0010 395  | 6kt.-Schraube M8x25-DIN 933 8.8    | 1     |
| 53       | 0017 909  | Federring 8-DIN 127B               | 1     |
| 54       | 6205 152  | Bundbuchse                         | 1     |
| 55       | 6205 475  | Zwischenhebel                      | 1     |
| 56       | 0010 337  | 6kt.-Schraube M8x50-DIN 931 8.8    | 1     |
| 57       | 0010 400  | 6kt.-Schraube M6x16-DIN 933 8.8    | 2     |
| 58       | 6205 540  | Scheibe 6,4 BN 737                 | 2     |
| 59       | 6205 328  | Gummischeibe 6,4                   | 2     |
| 60       | 6205 348  | Zahnriemen 25DS 8M 2000 Mitsuboshi | 1     |
| 61       | 6205 022  | Zahnriemenscheibe, kpl.            | 2     |
| 62       | 6205 470  | Bolzen                             | 2     |
| 63       | 0016 312  | Mutter,selbsts. M8-DIN 985 CL.8    | 1     |
| 64       | 0017 123  | Scheibe 8,4-DIN 125A               | 1     |
| 65       | 6205 476  | Stützblech                         | 1     |
| 66       | 6205 162  | Antriebszahnriemenscheibe 28       | 2     |
| 67       | 0016 312  | Mutter,selbsts. M8-DIN 985 CL.8    | 8     |
| 68       | 6205 582  | Schlossschraube M6x16-DIN 603 6.8  | 1     |
| 69       | 0017 121  | Scheibe 6,4 DIN 125A               | 1     |
| 70       | 0016 311  | Mutter, selbsts. M6-DIN 985 CL.8   | 1     |
| 71       | 0010 395  | 6kt.-Schraube M8x25-DIN 933 8.8    | 1     |

## Trac OHV 7 Riemen / Übersetzung Mähwerk

| Bild-Nr. | Best.-Nr. | Bezeichnung                       | Menge |
|----------|-----------|-----------------------------------|-------|
| 72       | 6205 477  | Scheibe                           | 1     |
| 73       | 6205 031  | Messerantriebsplatte, kpl.        | 1     |
| 74       | 6205 545  | Exzentrerscheibe 12,4x50x3        | 1     |
| 75       | 6205 577  | 6kt.-Schraube M10x45-DIN 933 8.8  | 1     |
| 76       | 6205 478  | Halterungswinkel                  | 1     |
| 77       | 0017 124  | Scheibe 10,5-DIN 125A             | 1     |
| 78       | 0016 316  | Mutter, selbsts. M10-DIN 985 CL.8 | 1     |
| 79       | 6205 165  | Zahnriemenscheibe 28              | 2     |
| 80       | 0023 226  | Rillenkugellager 6203A 2RS        | 4     |
| 81       | 0021 126  | Sicherungsring 40-DIN 472         | 2     |
| 82       | 0017 125  | Scheibe 13-DIN 125A               | 4     |
| 83       | 6205 325  | Riemenabdeckung, schwarz          | 1     |
| 84       | 6205 316  | Keilr. 17x1350 B53 Mitsuboshi     | 1     |
| 85       | 6205 169  | Antriebsriemenscheibe             | 1     |
| 86       | 0017 129  | Scheibe 21-DIN 125A               | 2     |

english: see next page

## Trac OHV 7 cutting pan - drive system

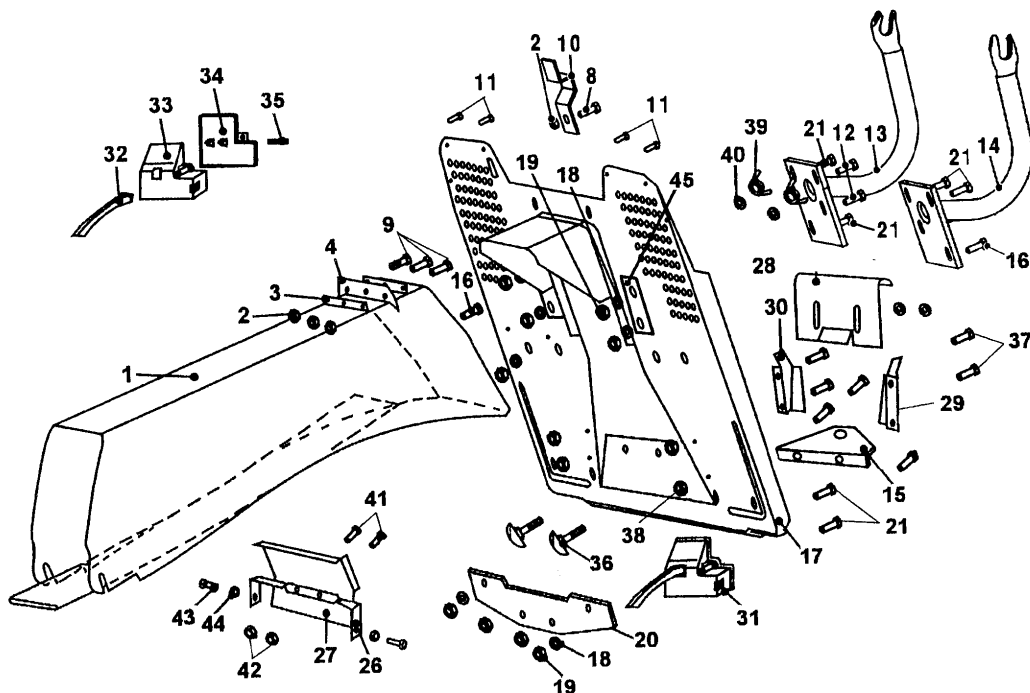
| Ref. No. | Part No. | description                       | pieces |
|----------|----------|-----------------------------------|--------|
| 40       | 6205 102 | Engagement lever                  | 1      |
| 41       | 0016 312 | Self locking nut M8 DIN 985 Cl.8  | 1      |
| 42       | 6205 421 | Spring                            | 1      |
| 43       | 0016 110 | Hex nut M 8 DIN439 B Cl.04        | 1      |
| 44       | 0017 909 | Spring washer 8 DIN 127B BN763    | 1      |
| 45       | 6205 568 | Flat washer 9 zinc.               | 1      |
| 46       | 6205 157 | Idler pulley W3500 - 3712         | 1      |
| 47       | 6205 163 | Bushing                           | 1      |
| 48       | 6205 474 | Belt retainer                     | 1      |
| 49       | 6205 564 | Self-Locking nut M12 DIN 982 Cl.8 | 6      |
| 50       | 0017 129 | Flat washer 21 DIN 125 A          | 2      |
| 51       | 6205 160 | Pulley                            | 1      |
| 52       | 0010 395 | Hex screw M8 x 25 DIN 933 8.8     | 1      |
| 53       | 0017 909 | Spring washer 8 DIN 127B BN763    | 1      |
| 54       | 6205 152 | Shoulder spacer                   | 1      |
| 55       | 6205 475 | Idler arm                         | 1      |
| 56       | 0010 337 | Hex screw M8 x 50 DIN 931 8.8     | 1      |
| 57       | 0010 400 | Hex screw M6 x 16 DIN 933 8.8     | 2      |
| 58       | 6205 540 | Flat washer 6.4 BN 737            | 2      |
| 59       | 6205 328 | Rubber washer 6.4                 | 2      |
| 60       | 6205 348 | Cog belt 25DS 8M 2000 Mitsuboshi  | 1      |
| 61       | 6205 022 | Cog pulley assy                   | 2      |
| 62       | 6205 470 | Cog pulley pin                    | 2      |
| 63       | 0016 312 | Self locking nut M8 DIN 985 Cl.8  | 1      |
| 64       | 0017 123 | Flat washer 8.4                   | 1      |
| 65       | 6205 476 | Pulley support                    | 1      |
| 66       | 6205 162 | Drive cog pulley 28               | 2      |
| 67       | 0016 312 | Self locking nut M8 DIN 985 Cl.8  | 8      |
| 68       | 6205 582 | Carriage bolt M6x16 DIN 603 6.8   | 1      |
| 69       | 0017 121 | Flat washer 6.4 DIN 125 A         | 1      |
| 70       | 0016 311 | Self-locking nut M6 DIN 985 Cl.8  | 1      |
| 71       | 0010 395 | Hex screw M8 x 25 DIN 933 8.8     | 1      |

## Trac OHV 7 cutting pan - drive system

| Ref. No. | Part No. | description                       | pieces |
|----------|----------|-----------------------------------|--------|
| 72       | 6205 477 | Flat washer                       | 1      |
| 73       | 6205 031 | Blade drive plate assy            | 1      |
| 74       | 6205 545 | Eccentric bolt washer 12.4x50x3   | 1      |
| 75       | 6205 577 | Hex screw M10 x 45 DIN 933 8.8    | 1      |
| 76       | 6205 478 | Bracket idler                     | 1      |
| 77       | 0017 124 | Flat washer B 10.5                | 1      |
| 78       | 0016 316 | Self-locking nut M10 DIN 985 Cl.8 | 1      |
| 79       | 6205 165 | Cog pulley 28                     | 2      |
| 80       | 0023 226 | Bearing 6203A 2RS                 | 4      |
| 81       | 0021 126 | Locking ring 40 DIN 472           | 2      |
| 82       | 0017 125 | Flat washer 13 DIN 125 A          | 4      |
| 83       | 6205 325 | Belt cover - black                | 1      |
| 84       | 6205 316 | Vbelt B 17x1350 Li                | 1      |
| 85       | 6205 169 | Engine cutting pan drive pulley   | 1      |
| 86       | 0017 129 | Flat washer 21 DIN 125 A          | 2      |

Ⓓ Trac OHV 7 6205 000 Auswurfkanal – Aufnahme  
Fangeinrichtung

ⒼⒷ Trac OHV 7 6205 000 chute – collector drive



## Trac OHV 7 Auswurfkanal - Aufnahme Fangeinrichtung

| Bild-Nr. | Best.-Nr. | Bezeichnung                                 | Menge |
|----------|-----------|---|-------|
| 1        | 6205 342  | Fangkanal                                   | 1     |
| 2        | 0016 309  | Mutter, selbsts. M4-DIN 985 CL.8            | 4     |
| 3        | 6205 117  | Stützblech                                  | 1     |
| 4        | 6205 301  | Gummidichtung                               | 1     |
| 8        | 6205 538  | Schraube-Ecofix M4x12 BN 4825H 4.8          | 1     |
| 9        | 0012 164  | Schlitzschraube M4x12-DIN 84A 8.8           | 3     |
| 10       | 6205 331  | Schalterabdeckung                           | 1     |
| 11       | 6205 539  | Schlossschraube M8x16 BN 11252 10.9         | 2     |
| 12       | 6205 129  | Schraube .M8x25-Verbus Ripp BN 2797 CL. 100 | 4     |
| 13       | 6205 519  | Einhängestütze, rechts                      | 1     |
| 14       | 6205 518  | Einhängestütze, links                       | 1     |
| 15       | 6205 502  | Anhängerblech                               | 1     |
| 16       | 0010 690  | 6kt.-Schraube M8x20-DIN 6921 8.8            | 2     |
| 17       | 6205 017  | Heckblech, kpl.                             | 1     |
| 18       | 0017 123  | Scheibe 8,4-DIN 125A                        | 9     |
| 19       | 0016 312  | Mutter,selbsts. M8-DIN 985 CL.8             | 9     |
| 20       | 6205 500  | Halterungsblech                             | 1     |
| 21       | 0010 403  | 6kt.-Schraube M8x25-DIN 6921 8.8            | 5     |
| 26       | 6205 504  | Klammer                                     | 1     |
| 27       | 6205 501  | Schutzblech                                 | 1     |
| 28       | 6205 503  | Verstellblech                               | 1     |
| 29       | 6205 506  | Gleitblech, links                           | 1     |
| 30       | 6205 507  | Gleitblech, rechts                          | 1     |
| 31       | 6205 057  | Überladungsschalter                         | 1     |
| 32       | 6205 510  | Betätigungshebel                            | 1     |
| 33       | 6205 338  | Schaltergehäuse, oben                       | 1     |
| 34       | 6205 337  | Schaltergehäuse, unten                      | 1     |
| 35       | 6205 511  | Stift                                       | 1     |
| 36       | 6205 126  | Schlossschraube 1/4x20-3/4                  | 2     |
| 37       | 0010 383  | 6kt.-Schraube M6x12-DIN 933 8.8             | 4     |
| 38       | 0016 311  | Mutter, selbsts. M6-DIN 985 CL.8            | 4     |
| 39       | 6205 321  | Flügelmutter 1/4-20                         | 2     |

## Trac OHV 7 Auswurfkanal - Aufnahme Fangeinrichtung

| Bild-Nr. | Best.-Nr. | Bezeichnung                       | Menge |
|----------|-----------|-----------------------------------|-------|
| 40       | 0017 121  | Scheibe 6,4 DIN 125A              | 2     |
| 41       | 0013 631  | Schlossschraube M5x16-DIN 603 6.8 | 2     |
| 42       | 0016 310  | Mutter, selbsts. M5-DIN 985 CL.8  | 2     |
| 43       | 0010 402  | 6kt.-Kantschr. M8x20-DIN 933 8.8  | 4     |
| 44       | 0017 909  | Federring 8-DIN 127B              | 2     |
| 45       | 6205 535  | Verstärkungsblech                 | 2     |

english: see next page

## Trac OHV 7 chute - collector drive

| Ref. No. | Part No. | description                              | pieces |
|----------|----------|--|--------|
| 1        | 6205 342 | Tunnel                                   | 1      |
| 2        | 0016 309 | Self locking nut M 4                     | 4      |
| 3        | 6205 117 | Support plate                            | 1      |
| 4        | 6205 301 | Rubber seal                              | 1      |
| 8        | 6205 538 | Ecofix screw M4 x 12 BN 4825H 4.8        | 1      |
| 9        | 0012 164 | Head slotted screw M4 x 12 DIN 84A 8.8   | 3      |
| 10       | 6205 331 | Switch cover                             | 1      |
| 11       | 6205 539 | Carriage bolt M8 x 16 BN 11252 10.9      | 2      |
| 12       | 6205 129 | Screw M8 x 25 Verbus Ripp BN 2797 Cl.100 | 4      |
| 13       | 6205 519 | Collector support, right                 | 1      |
| 14       | 6205 518 | Collector support, left                  | 1      |
| 15       | 6205 502 | Tow hitch                                | 1      |
| 16       | 0010 690 | Hex screw M8 x 20 DIN 6921 8.8           | 2      |
| 17       | 6205 017 | Collector plate assy                     | 1      |
| 18       | 0017 123 | Flat washer 8.4                          | 9      |
| 19       | 0016 312 | Self locking nut M8 DIN 985 Cl.8         | 9      |
| 20       | 6205 500 | Tow hitch support                        | 1      |
| 21       | 0010 403 | Hex screw M8x25 DIN 6921 8.8             | 5      |
| 26       | 6205 504 | Protective shield bracket                | 1      |
| 27       | 6205 501 | Protective shield                        | 1      |
| 28       | 6205 503 | Adjustable shield                        | 1      |
| 29       | 6205 506 | Rear plate chute, left                   | 1      |
| 30       | 6205 507 | Rear plate chute, right                  | 1      |
| 31       | 6205 057 | Overload switch assy, complete           | 1      |
| 32       | 6205 510 | Overload switch actuation lever          | 1      |
| 33       | 6205 338 | Upper housing, over-load switch          | 1      |
| 34       | 6205 337 | Lower housing, over-load switch          | 1      |
| 35       | 6205 511 | Pin, over-load switch                    | 1      |
| 36       | 6205 126 | Carriage bolt 1/4 x 20-3/4               | 2      |
| 37       | 0010 383 | Screw M6x12 DIN 933 8.8                  | 4      |
| 38       | 0016 311 | Self-locking nut M6 DIN 985 Cl.8         | 4      |
| 39       | 6205 321 | Plastic wing nut 1/4-20                  | 2      |

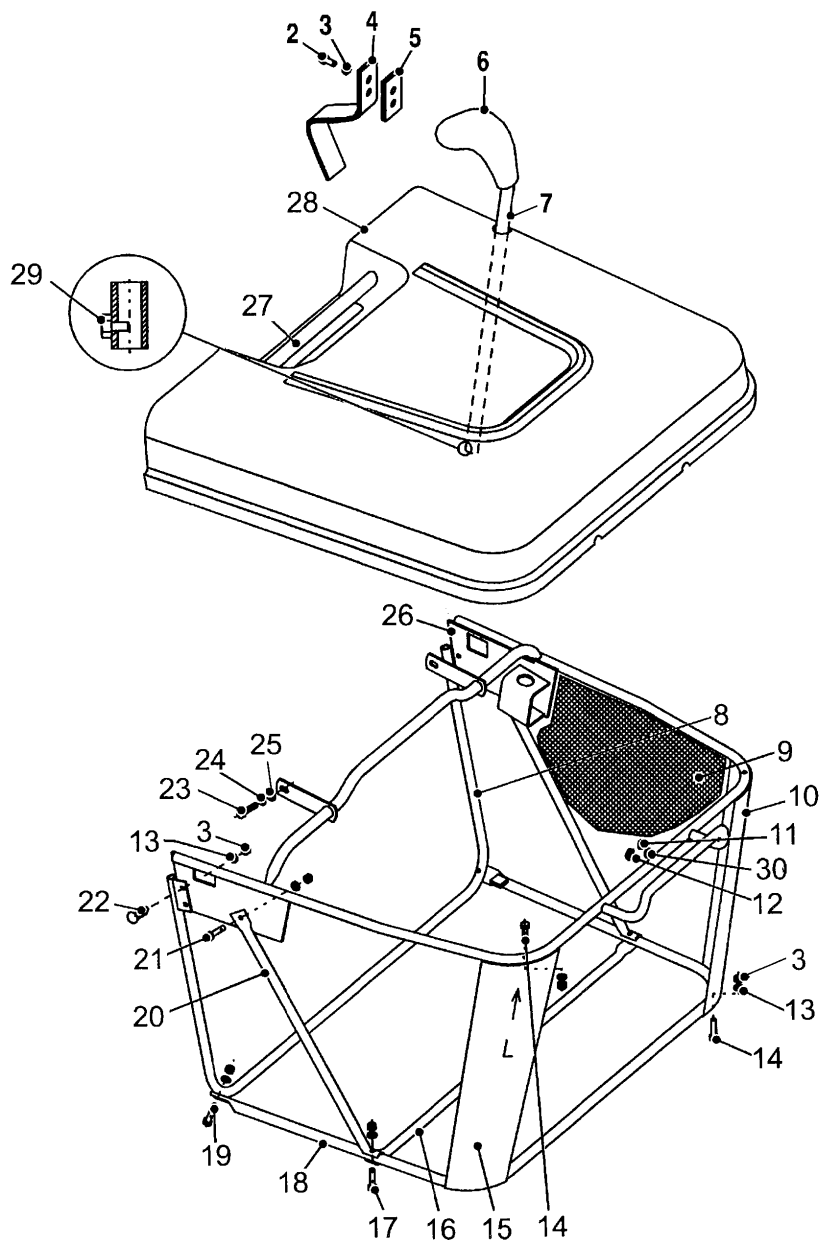


**Trac OHV 7 chute - collector drive**

| Ref. No. | Part No. | description                     | pieces |
|----------|----------|---------------------------------|--------|
| 40       | 0017 121 | Flat washer 6.4 DIN 125 A       | 2      |
| 41       | 0013 631 | Carriage bolt M5x16 DIN 603 6.8 | 2      |
| 42       | 0016 310 | Nut M5 DIN 985 KL8              | 2      |
| 43       | 0010 402 | Hex screw M8 x 20 DIN 933 8.8   | 4      |
| 44       | 0017 909 | Spring washer 8 DIN 127B BN763  | 2      |
| 45       | 6205 535 | Reinforcing                     | 2      |

3

- Ⓓ Trac OHV 7 6205 000 Fangeinrichtung
- ⒼⒷ Trac OHV 7 6205 000 grass collector assembly



## Trac OHV 7 Fangeinrichtung

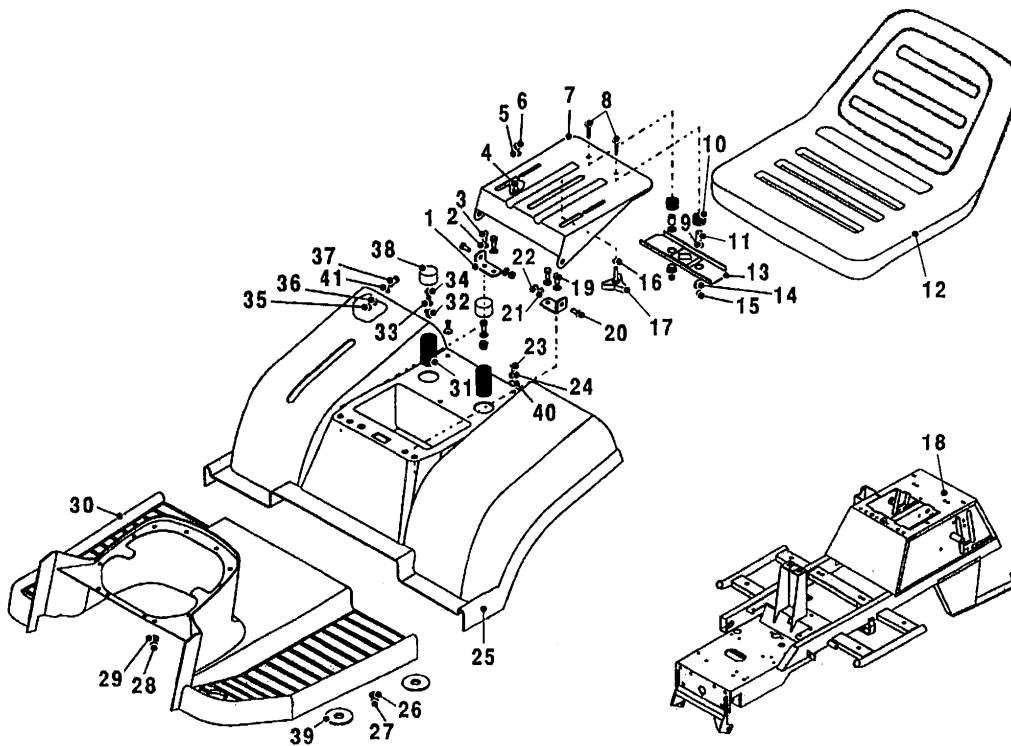
| Bild-Nr. | Best.-Nr. | Bezeichnung                       | Menge |
|----------|-----------|-----------------------------------|-------|
| 1        | 6205 015  | Fangsack, kpl.                    | 1     |
| 2        | 0010 363  | 6kt.-Schraube M5x16-DIN 933 8.8   | 2     |
| 3        | 0016 310  | Mutter, selbsts. M5-DIN 985 CL.8  | 16    |
| 4        | 6205 469  | Federblech                        | 1     |
| 5        | 6205 468  | Federplatte                       | 1     |
| 6        | 6205 314  | Schaltknäuf für Abladehebel       | 1     |
| 7        | 6205 479  | Abladehebel                       | 1     |
| 8        | 6205 462  | Vorderrahmen                      | 1     |
| 9        | 6205 334  | Fangsacktuch                      | 1     |
| 10       | 6205 104  | Eckstütze, rechts                 | 1     |
| 11       | 0017 287  | Scheibe 5,3-DIN 9021B             | 7     |
| 12       | 6205 586  | Schraube ST 4,8x16-DIN 7976C      | 7     |
| 13       | 0017 120  | Scheibe 5,3-DIN 125A              | 14    |
| 14       | 0010 360  | 6kt.-Schraube M5x25-DIN 933 8.8   | 4     |
| 15       | 6205 105  | Eckstütze, links                  | 1     |
| 16       | 6205 106  | Querstange                        | 1     |
| 17       | 6205 565  | 6kt.-Schraube M5x35-DIN 933 8.8   | 2     |
| 18       | 6205 520  | Unterrahmen                       | 1     |
| 19       | 0010 360  | 6kt.-Schraube M5x25-DIN 933 8.8   | 2     |
| 20       | 6205 132  | Diagonalstrebe                    | 2     |
| 21       | 0010 363  | 6kt.-Schraube M5x16-DIN 933 8.8   | 2     |
| 22       | 0013 631  | Schlossschraube M5x16-DIN 603 6.8 | 4     |
| 23       | 0010 402  | 6kt.-Schraube M8x20-DIN 933 8.8   | 2     |
| 24       | 0017 909  | Federring 8-DIN 127B              | 2     |
| 25       | 6205 568  | Scheibe 8,4-DIN 9021B             | 2     |
| 26       | 6205 016  | Oberrahmen, kpl.                  | 1     |
| 27       | 6205 464  | Tragegriff                        | 1     |
| 28       | 6205 333  | Fangsackabdeckung                 | 1     |
| 29       | 6205 548  | Gewinde-Formschr. 1/4"-20-1/2     | 1     |
| 30       | 6205 327  | Gummischeibe 5,3                  | 7     |

english: see next page

## Trac OHV 7 grass collector assembly

| Ref. No. | Part No. | description                             | pieces |
|----------|----------|---|--------|
| 1        | 6205 015 | Grass collector assy                    | 1      |
| 2        | 0010 363 | Hex screw M 5x16                        | 2      |
| 3        | 0016 310 | Nut M5 DIN 985 KL8                      | 16     |
| 4        | 6205 469 | Collector spring, interlock             | 1      |
| 5        | 6205 468 | Washer spring                           | 1      |
| 6        | 6205 314 | Handle grip, dump lever                 | 1      |
| 7        | 6205 479 | Dumping lever                           | 1      |
| 8        | 6205 462 | Front frame assy                        | 1      |
| 9        | 6205 334 | Grass collector bag CZ                  | 1      |
| 10       | 6205 104 | Right corner support                    | 1      |
| 11       | 0017 287 | Flat washer 5.3 DIN 9021 B              | 7      |
| 12       | 6205 586 | Tapping screw ST 4.8x16 DIN 7976 C      | 7      |
| 13       | 0017 120 | Flat washer 5.3 DIN 125 A               | 14     |
| 14       | 0010 360 | Hex screw M 5x25                        | 4      |
| 15       | 6205 105 | Left corner support                     | 1      |
| 16       | 6205 106 | Connecting brace                        | 1      |
| 17       | 6205 565 | Hex screw M 5x35                        | 2      |
| 18       | 6205 520 | Bottom frame assy                       | 1      |
| 19       | 0010 360 | Hex screw M 5x25                        | 2      |
| 20       | 6205 132 | Brace                                   | 2      |
| 21       | 0010 363 | Hex screw M 5x16                        | 2      |
| 22       | 0013 631 | Carriage bolt M5x16 DIN 603 6.8         | 4      |
| 23       | 0010 402 | Hex screw M8 x 20 DIN 933 8.8           | 2      |
| 24       | 0017 909 | Spring washer 8 DIN 127B BN763          | 2      |
| 25       | 6205 568 | Flat washer 9 zinc.                     | 2      |
| 26       | 6205 016 | Top frame assy                          | 1      |
| 27       | 6205 464 | Lift handle                             | 1      |
| 28       | 6205 333 | Collector cover                         | 1      |
| 29       | 6205 548 | Taptite thread form screw 1/4"-20 - 1/2 | 1      |
| 30       | 6205 327 | Rubber washer 5.3                       | 7      |

- Ⓓ Trac OHV 7 6205 000 Sitz und Anbauteile Rahmen
- ⒼⒷ Trac OHV 7 6205 000 body assembly fender / seat



## Trac OHV 7 Sitz u. Anbauteile Rahmen

| Bild-Nr. | Best.-Nr. | Bezeichnung                              | Menge |
|----------|-----------|--|-------|
| 1        | 6205 473  | Stützwinkel                              | 2     |
| 2        | 0017 909  | Federring 8-DIN 127B                     | 4     |
| 3        | 0010 395  | 6kt.-Schraube M8x25-DIN 933 8.8          | 3     |
| 4        | 6205 125  | Schraube 3/4" C12I14                     | 2     |
| 7        | 6205 472  | Sitzstütze                               | 1     |
| 8        | 0013 641  | Schlossschraube M6x30-DIN 603 6.8        | 2     |
| 9        | 6205 567  | Scheibe 6,4-DIN 9021B                    | 2     |
| 10       | 6205 422  | Feder                                    | 2     |
| 11       | 6205 164  | Distanzbuchse, geschlitz                 | 2     |
| 12       | 6205 343  | Sitz                                     | 1     |
| 13       | 6205 471  | Klammerblech                             | 1     |
| 14       | 6205 150  | Buchse                                   | 2     |
| 15       | 0016 311  | Mutter, selbsts. M6-DIN 985 CL.8         | 2     |
| 16       | 0017 811  | Federring 8-DIN 137A                     | 2     |
| 17       | 6205 124  | Verstellschraube 285 5/16-18x3/4" LG     | 2     |
| 18       | 6205 010  | Chassisrahmen, kpl.                      | 1     |
| 19       | 0010 399  | 6kt.-Schraube M8x30-DIN 933 8.8          | 1     |
| 20       | 6205 119  | Schraube für Sitz                        | 2     |
| 21       | 0017 123  | Scheibe 8,4-DIN 125A                     | 6     |
| 22       | 0016 312  | Mutter,selbsts. M8-DIN 985 CL.8          | 6     |
| 23       | 6205 587  | s.Schr. m. innensechsk. M5x20-DIN 7991A4 | 2     |
| 24       | 6205 133  | Schlusscheibe 5,3                        | 2     |
| 25       | 6205 332  | Radabdeckung                             | 1     |
| 27       | 0016 316  | Mutter, selbsts. M10-DIN 985 CL.8        | 4     |
| 28       | 0016 310  | Mutter M5 DIN 985 CL.8                   | 6     |
| 29       | 0017 287  | Scheibe 5,3-DIN 9021B                    | 6     |
| 30       | 6205 019  | Fussstütze, kpl. schwarz                 | 1     |
| 31       | 6205 420  | Druckfeder                               | 2     |
| 32       | 0016 312  | Mutter,selbsts. M8-DIN 985 CL.8          | 2     |
| 33       | 6205 568  | Scheibe 8,4-DIN 9021B                    | 6     |
| 34       | 0010 402  | 6kt.-Schraube M8x20-DIN 933 8.8          | 2     |
| 35       | 0016 310  | Mutter, selbsts. M5-DIN 985 CL.8         | 6     |

## Trac OHV 7 Sitz u. Anbauteile Rahmen

| Bild-Nr. | Best.-Nr. | Bezeichnung                       | Menge |
|----------|-----------|-----------------------------------|-------|
| 36       | 6205 584  | Scheibe 5,3-DIN 9021B             | 6     |
| 37       | 0013 631  | Schlossschraube M5x16-DIN 603 6.8 | 6     |
| 38       | 6205 307  | Kappe, schwarz 1-1/2 SC           | 2     |
| 39       | 6205 329  | Gummischeibe 10,5                 | 2     |
| 39       | 6205 330  | Gummischeibe 11,5                 | 2     |
| 40       | 6205 327  | Gummischeibe 5,3                  | 2     |
| 41       | 6205 327  | Gummischeibe 5,3                  | 6     |

english: see next page

**Trac OHV 7 body assembly fender / seat**

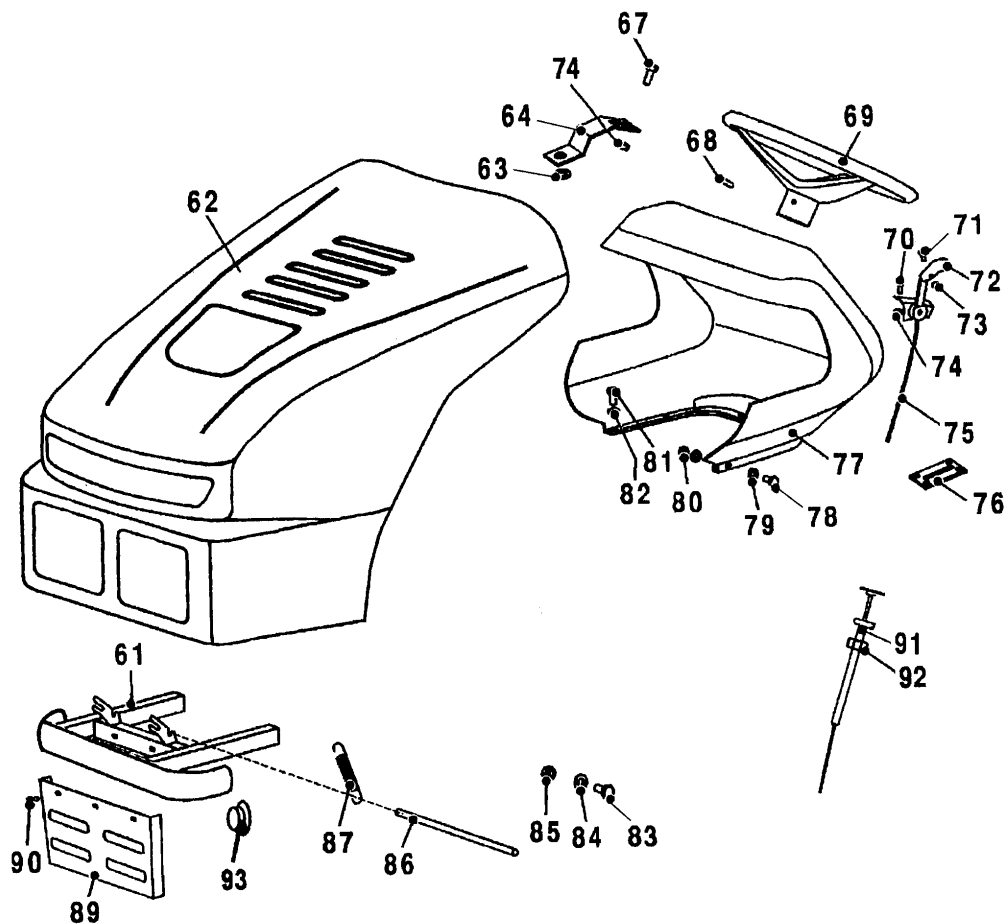
| Ref. No. | Part No. | description                       | pieces |
|----------|----------|-----------------------------------|--------|
| 1        | 6205 473 | Seat support bracket              | 2      |
| 2        | 0017 909 | Spring washer 8 DIN 127B BN763    | 4      |
| 3        | 0010 395 | Hex screw M8 x 25 DIN 933 8.8     | 3      |
| 4        | 6205 125 | Screw 5/16x18x62                  | 2      |
| 7        | 6205 472 | Seat support                      | 1      |
| 8        | 0013 641 | Carriage bolt M6x30 DIN 603 6.8   | 2      |
| 9        | 6205 567 | Flat washer 6.6 zinc              | 2      |
| 10       | 6205 422 | Seat spring                       | 2      |
| 11       | 6205 164 | Spacer split                      | 2      |
| 12       | 6205 343 | Seat, Deluxe high back INI 1061   | 1      |
| 13       | 6205 471 | Bracket                           | 1      |
| 14       | 6205 150 | Bushing                           | 2      |
| 15       | 0016 311 | Self-locking nut M6 DIN 985 Cl.8  | 2      |
| 16       | 0017 811 | Flat washer 8.4 ZINC              | 2      |
| 17       | 6205 124 | Adj.knob 285 5/16"18NGX3/4LG      | 2      |
| 18       | 6205 010 | Chasis frame                      | 1      |
| 19       | 0010 399 | Hex screw M8x30 DIN 933 8.8       | 1      |
| 20       | 6205 119 | Screw                             | 2      |
| 21       | 0017 123 | Flat washer 8.4                   | 6      |
| 22       | 0016 312 | Self locking nut M8 DIN 985 Cl.8  | 6      |
| 23       | 6205 587 | Carr. bolt M5x20 DIN 799110.9     | 2      |
| 24       | 6205 133 | Finishing washer 5.3 SN 213912    | 2      |
| 25       | 6205 332 | Fender                            | 1      |
| 27       | 0016 316 | Self-locking nut M10 DIN 985 Cl.8 | 4      |
| 28       | 0016 310 | Nut M5 DIN 985 KL8                | 6      |
| 29       | 0017 287 | Flat washer 5.3 DIN 9021 B        | 6      |
| 30       | 6205 019 | Footrest assy - black             | 1      |
| 31       | 6205 420 | Seat spring                       | 2      |
| 32       | 0016 312 | Self locking nut M8 DIN 985 Cl.8  | 2      |
| 33       | 6205 568 | Flat washer 9 zinc.               | 6      |
| 34       | 0010 402 | Hex screw M8 x 20 DIN 933 8.8     | 2      |
| 35       | 0016 310 | Nut M5 DIN 985 KL8                | 6      |



**Trac OHV 7 body assembly fender / seat**

| Ref. No. | Part No. | description                     | pieces |
|----------|----------|---------------------------------|--------|
| 36       | 6205 584 | Flat washer 5.3 DIN 9021 B      | 6      |
| 37       | 0013 631 | Carriage bolt M5x16 DIN 603 6.8 | 6      |
| 38       | 6205 307 | Cap                             | 2      |
| 39       | 6205 329 | Rubber washer 10.5              | 2      |
| 39       | 6205 330 | Rubber washer 11.5              | 2      |
| 40       | 6205 327 | Rubber washer 5.3               | 2      |
| 41       | 6205 327 | Rubber washer 5.3               | 6      |

- Ⓓ Trac OHV 7 6205 000 Motorhaube
- ⒼⒷ Trac OHV 7 6205 000 body assembly hood



## Trac OHV 7 Motorhaube

| Bild-Nr. | Best.-Nr. | Bezeichnung                                  | Menge |
|----------|-----------|--|-------|
| 61       | 6205 516  | Stosstange                                   | 1     |
| 62       | 6205 346  | Motorhaube                                   | 1     |
| 63       | 6205 159  | Buchse 22x2                                  | 1     |
| 64       | 6205 532  | Tankhalterung                                | 1     |
| 67       | 6205 127  | Schraube M6x16-Ecofix 4.8                    | 2     |
| 68       | 6205 570  | Spannstift 6x45-DIN 7346                     | 1     |
| 69       | 6205 300  | Lenkrad                                      | 1     |
| 70       | 0012 955  | Senkschr. m. Kreuzschlitz M5x16-DIN 965A 4.8 | 4     |
| 71       | 6205 583  | Schlitzschraube M4x14-DIN 84A 8.8            | 1     |
| 72       | 6205 302  | Drosselknopf, schwarz                        | 1     |
| 73       | 0016 309  | Mutter, selbsts. M4-DIN 985 Cl.8             | 1     |
| 74       | 0016 310  | Mutter, selbsts. M5-DIN 985 Cl.8             | 6     |
| 75       | 6205 052  | Drosselhebel, kpl.                           | 1     |
| 76       | 6205 466  | Stützblech                                   | 1     |
| 77       | 6205 344  | Armaturentafel, schwarz                      | 1     |
| 78       | 6205 561  | 6-kt.-Schraube M4x16-DIN 933 8.8             | 2     |
| 79       | 0017 119  | Scheibe 4,3-DIN 125A                         | 2     |
| 80       | 0016 309  | Mutter, selbsts. M4-DIN 985 Cl.8             | 2     |
| 81       | 0010 126  | 6-kt.-Schraube M5x20-DIN 933 8.8             | 6     |
| 82       | 0017 287  | Scheibe 5,3-DIN 9021B                        | 6     |
| 83       | 0010 402  | 6-kt.-Schraube M8x20-DIN 933 8.8             | 4     |
| 84       | 6205 568  | Scheibe 8,4-DIN 9021B                        | 4     |
| 85       | 0016 312  | Mutter, selbsts. M8-DIN 985 Cl.8             | 4     |
| 86       | 6205 467  | Sicherungselement                            | 1     |
| 87       | 6205 423  | Zugfeder                                     | 1     |
| 89       | 6205 490  | Hitzeblech                                   | 1     |
| 90       | 0015 821  | Bohrschraube 4,2x13-DIN 7504K Ecodrill       | 3     |
| 91       | 6205 463  | Choke  | 1     |
| 92       | 6205 551  | 6-kt.-Mutter 3/8-24                          | 1     |
| 93       | 6205 303  | Kappe, schwarz GL 50x1-2,5                   | 2     |

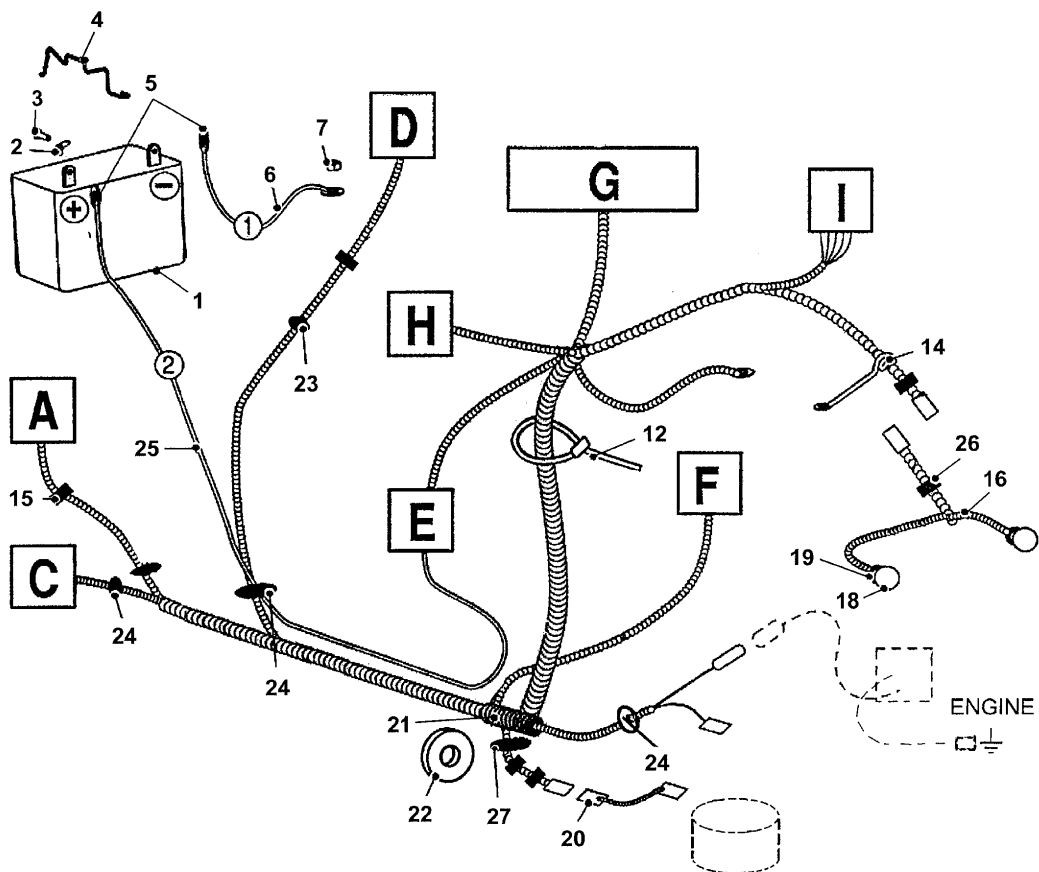
english: see next page

## Trac OHV 7 body assembly hood

| Ref. No. | Part No. | description                               | pieces |
|----------|----------|---|--------|
| 61       | 6205 516 | Bumper                                    | 1      |
| 62       | 6205 346 | Hood                                      | 1      |
| 63       | 6205 159 | Bushing 22x2                              | 1      |
| 64       | 6205 532 | Fuel tank holder                          | 1      |
| 67       | 6205 127 | Screw M6x16 ECO FIX - 4.8                 | 2      |
| 68       | 6205 570 | Spring pin 6x45                           | 1      |
| 69       | 6205 300 | Steering wheel, 14 640 CZ                 | 1      |
| 70       | 0012 955 | Flat head screw M5x16 DIN 965 A 4.8       | 4      |
| 71       | 6205 583 | Head-slotted screw M4x14 DIN 84 A 8.8     | 1      |
| 72       | 6205 302 | Throttle knob - black                     | 1      |
| 73       | 0016 309 | Self locking nut M 4                      | 1      |
| 74       | 0016 310 | Nut M5 DIN 985 KL8                        | 6      |
| 75       | 6205 052 | Throttle lever assy GAR 001               | 1      |
| 76       | 6205 466 | Brace                                     | 1      |
| 77       | 6205 344 | Dash panel - black                        | 1      |
| 78       | 6205 561 | Hex screw M4x16 DIN 933 8.8               | 2      |
| 79       | 0017 119 | Flat washer 4.3 DIN 125 A                 | 2      |
| 80       | 0016 309 | Self locking nut M 4                      | 2      |
| 81       | 0010 126 | Hex screw M5x20 DIN 933 8.8               | 6      |
| 82       | 0017 287 | Flat washer 5.3 DIN 9021 B                | 6      |
| 83       | 0010 402 | Hex screw M8 x 20 DIN 933 8.8             | 4      |
| 84       | 6205 568 | Flat washer 9 zinc.                       | 4      |
| 85       | 0016 312 | Self locking nut M8 DIN 985 Cl.8          | 4      |
| 86       | 6205 467 | Safety bar                                | 1      |
| 87       | 6205 423 | Hood spring                               | 1      |
| 89       | 6205 490 | Heat shield                               | 1      |
| 90       | 0015 821 | Self drilling screw 4.2x12 ECO DIN 7504 K | 3      |
| 91       | 6205 463 | Choke CAPRO                               | 1      |
| 92       | 6205 551 | Hex nut 3/824                             | 1      |
| 93       | 6205 303 | Plug GL 50 1/2,5 Black                    | 2      |

**(D)** Trac OHV 7 6205 000 Kabelbaum

**(GB)** Trac OHV 7 6205 000 electrical – wiring harness compl.



## Trac OHV 7 Kabelbaum

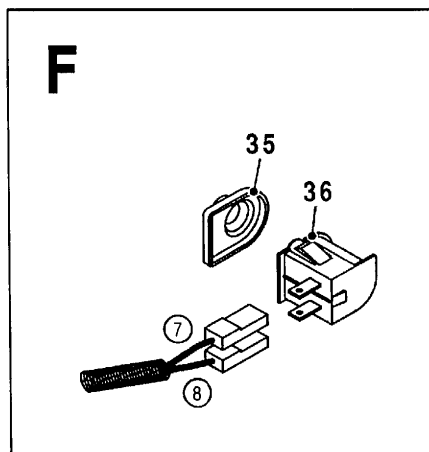
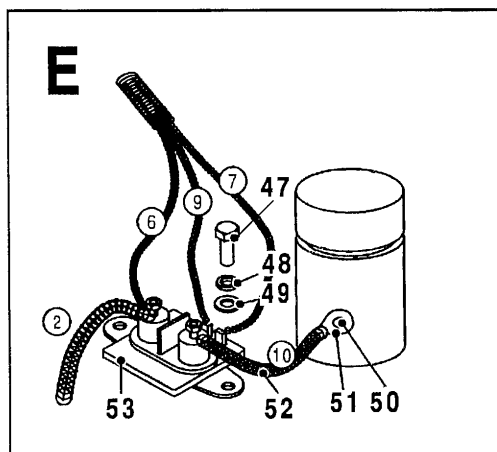
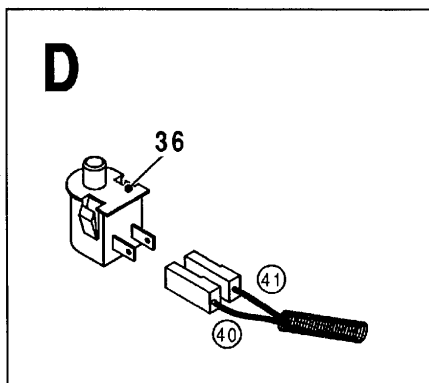
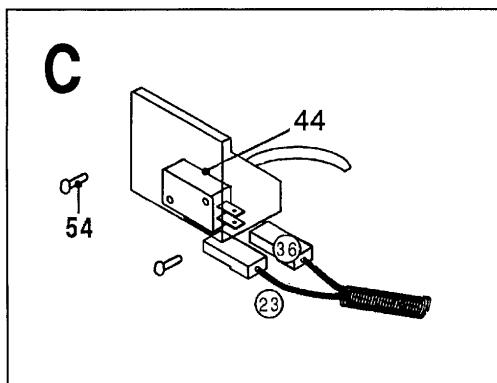
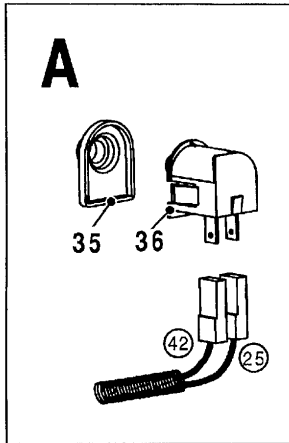
| Bild-Nr. | Best.-Nr. | Bezeichnung                      | Menge |
|----------|-----------|----------------------------------|-------|
| 1        | 6205 060  | Batterie 12V-22Ah                | 1     |
| 2        | 6205 321  | Flügelmutter 1/4-20              | 2     |
| 3        | 6205 451  | Schraube 1/4-20x3/4 LG           | 2     |
| 4        | 6205 454  | Batterieklemme                   | 1     |
| 5        | 6205 318  | Gummimanschette                  | 2     |
| 6        | 6205 452  | Batteriekabel (-)                | 1     |
| 7        | 0016 312  | Mutter, selbsts. M8-DIN 985 CL.8 | 1     |
| 12       | 6205 304  | Kabelbinder RT360                | 1     |
| 14       | 6205 115  | Kabelbaumhalter                  | 1     |
| 15       | 6205 147  | Klammer 1903-00 f/a              | 4     |
| 16       | 6205 061  | Kabelbaum, licht                 | 1     |
| 18       | 6205 148  | Glühbirne R21W-12V-BA15S         | 2     |
| 19       | 6205 450  | Anschlussbuchse, Licht           | 2     |
| 20       | 6205 062  | Kabelbaum, Kupplung (mit Diode)  | 1     |
| 21       | 6205 065  | Hauptkabelbaum 3 WN 19565        | 1     |
| 22       | 6205 322  | Kappe für Kabelbaum              | 1     |
| 23       | 6205 156  | Buchse 9x2                       | 1     |
| 24       | 6205 174  | Buchse 18x2                      | 4     |
| 25       | 6205 453  | Batteriekabel (+)                | 1     |
| 26       | 6205 319  | Nylonclip, anhaftend             | 2     |
| 27       | 6205 159  | Buchse 22x2                      | 1     |

english: see next page

**Trac OHV 7 electrical - wiring harness compl.**

| Ref. No. | Part No. | description                           | pieces |
|----------|----------|---------------------------------------|--------|
| 1        | 6205 060 | Battery 12V-22Ah - wet                | 1      |
| 2        | 6205 321 | Plastic wing nut 1/4-20               | 2      |
| 3        | 6205 451 | Battery screw 1/4-20x3/4 LG           | 2      |
| 4        | 6205 454 | Battery clamp                         | 1      |
| 5        | 6205 318 | Rubber boot                           | 2      |
| 6        | 6205 452 | Battery cable (-)                     | 1      |
| 7        | 0016 312 | Self locking nut M8 DIN 985 Cl.8      | 1      |
| 12       | 6205 304 | Cable ties RT360                      | 1      |
| 14       | 6205 115 | Holder                                | 1      |
| 15       | 6205 147 | Clip - snap in 1903-00 F/A            | 4      |
| 16       | 6205 061 | Light wiring harness                  | 1      |
| 18       | 6205 148 | Light bulb R21W 12V BA15s             | 2      |
| 19       | 6205 450 | Light socket                          | 2      |
| 20       | 6205 062 | Clutch harness with diode             | 1      |
| 21       | 6205 065 | Main wiring harness 3 WN 195 65       | 1      |
| 22       | 6205 322 | Cap "KAPSTO" GPN 910D53               | 1      |
| 23       | 6205 156 | Bushing 9x2                           | 1      |
| 24       | 6205 174 | Bushing 18x2                          | 4      |
| 25       | 6205 453 | Battery cable (+)                     | 1      |
| 26       | 6205 319 | Nylon clips - adhesive 1/4 PCNY 250-9 | 2      |
| 27       | 6205 159 | Bushing 22x2                          | 1      |

- Ⓓ Trac OHV 7 6205 000 Schalter (1)
- ⒼⒷ Trac OHV 7 6205 000 electrical switches (1)





## TRAC OHV 7 Schalter (1)

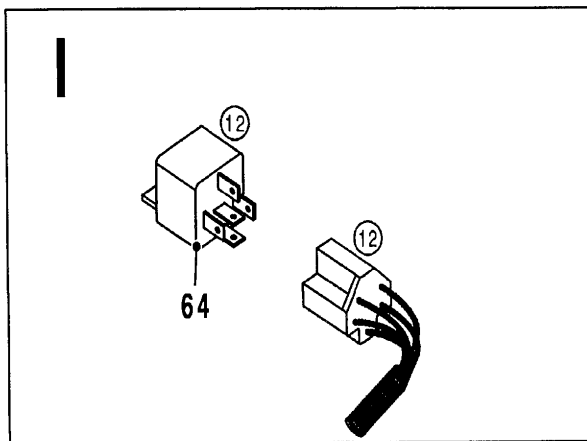
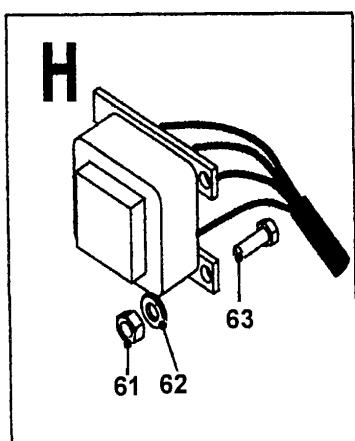
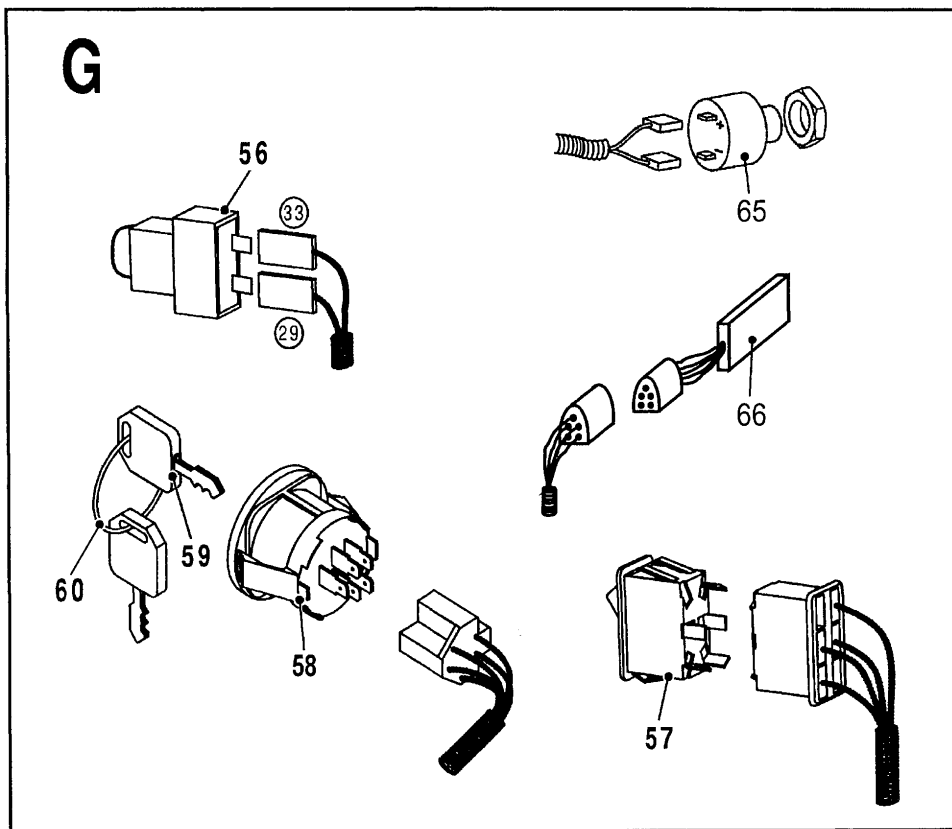
| Bild-Nr. | Best.-Nr. | Bezeichnung                         | Menge |
|----------|-----------|-------------------------------------|-------|
| 35       | 6205 349  | Schutzdeckel, Schalter              | 2     |
| 36       | 6205 055  | Schalter-Delta 6440-04              | 3     |
| 44       | 6205 053  | Schalter-Omron                      | 1     |
| 47       | 0010 383  | 6kt.-Schraube M6x12-DIN 933 8.8     | 2     |
| 48       | 0017 908  | Federring 6-DIN 127B                | 2     |
| 49       | 0017 121  | Scheibe 6,4 DIN125A                 | 2     |
| 50       | 6205 137  | Mutter W 1/4"-20                    | 1     |
| 51       | 6205 311  | Gummischeibe                        | 1     |
| 52       | 6205 491  | Elektrostartkabel                   | 1     |
| 53       | 6205 149  | Spule 94255/12V-150A                | 1     |
| 54       | 0015 821  | Bohrschr. 4,2x13-DIN 7504K Ecodrill | 2     |

english: see next page

## Trac OHV 7 electrical switches (1)

| Ref. No. | Part No. | description                               | pieces |
|----------|----------|---|--------|
| 35       | 6205 349 | Protective cover 9910                     | 2      |
| 36       | 6205 055 | Switch DELTA 6440-04                      | 3      |
| 44       | 6205 053 | Omron switch                              | 1      |
| 47       | 0010 383 | Screw M6x12 DIN 933 8.8                   | 2      |
| 48       | 0017 908 | Spring washer 6 DIN 127B BN763            | 2      |
| 49       | 0017 121 | Flat washer 6.4 DIN 125 A                 | 2      |
| 50       | 6205 137 | Nut W 1/4" - 20                           | 1      |
| 51       | 6205 311 | Rubber boot                               | 1      |
| 52       | 6205 491 | El. starter lead (10)                     | 1      |
| 53       | 6205 149 | Solenoid 94255/12V - 150A                 | 1      |
| 54       | 0015 821 | Self drilling screw 4.2x12 ECO DIN 7504 K | 2      |

- Ⓓ Trac OHV 7 6205 000 Schalter (2)
- ⒼⒷ Trac OHV 7 6205 000 electrical switches (2)



## Trac OHV 7 Schalter (2)

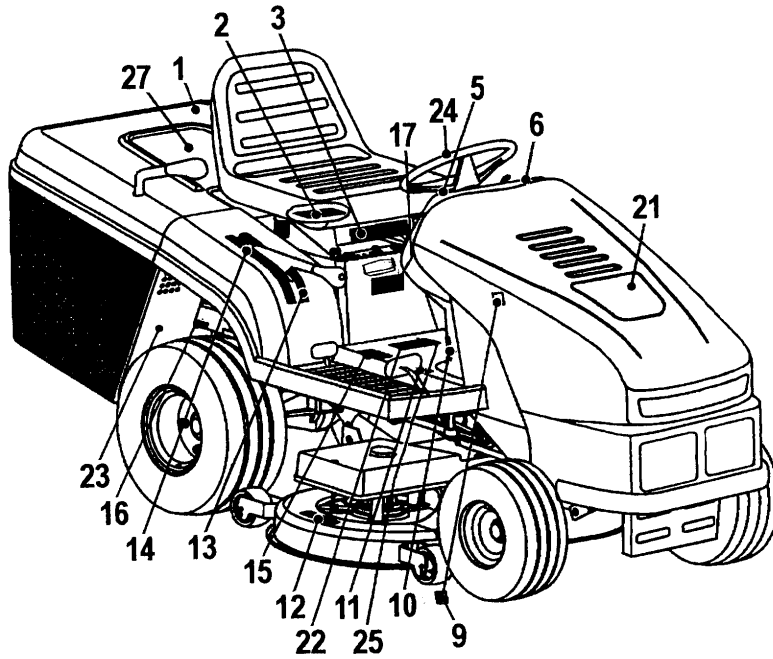
| Bild-Nr. | Best.-Nr. | Bezeichnung                      | Menge |
|----------|-----------|----------------------------------|-------|
| 57       | 6205 056  | Wippschalter                     | 1     |
| 58       | 6205 054  | Zündungsschalter mit Schlüssel   | 1     |
| 59       | 6205 514  | Zündschlüssel                    | 2     |
| 60       | 6205 141  | Ring für Schlüssel               | 1     |
| 61       | 0016 310  | Mutter, selbsts. M5-DIN 985 CL.8 | 3     |
| 62       | 0017 287  | Scheibe 5,3-DIN 9021B            | 4     |
| 63       | 0010 126  | 6kt.-Schraube M5x20-DIN 933 8.8  | 3     |
| 64       | 6205 063  | Relais                           | 1     |
| 65       | 6205 509  | Signalsummer                     | 1     |
| 66       | 6205 515  | Relaissummer                     | 1     |

english: see next page

## Trac OHV 7 electrical switches (2)

| Ref. No. | Part No. | description                                | pieces |
|----------|----------|--|--------|
| 57       | 6205 056 | Locking rocker switch                      | 1      |
| 58       | 6205 054 | Ignition switch integral with key          | 1      |
| 59       | 6205 514 | Key with moulded cover for integral switch | 2      |
| 60       | 6205 141 | Ring 40615/40                              | 1      |
| 61       | 0016 310 | Nut M5 DIN 985 KL8                         | 3      |
| 62       | 0017 287 | Flat washer 5.3 DIN 9021 B                 | 4      |
| 63       | 0010 126 | Hex screw M5x20 DIN 933 8.8                | 3      |
| 64       | 6205 063 | Relay memory                               | 1      |
| 65       | 6205 509 | Buzzer                                     | 1      |
| 66       | 6205 515 | Buzzer relay                               | 1      |

- Ⓓ Trac OHV 7 6205 000 Etiketten
- ⒼⒷ Trac OHV 7 6205 000 decals / labels



## Trac OHV 7 Etiketten

| Bild-Nr. | Best.-Nr. | Bezeichnung                      | Menge |
|----------|-----------|----------------------------------|-------|
| 1        | 6205 205  | Etikett-Dreieck                  | 2     |
| 2        | 6205 220  | L-Schild                         | 1     |
| 3        | 6205 204  | Etikett-Batterie                 | 1     |
| 5        | 6205 219  | Etikett-Ein/Aus                  | 1     |
| 6        | 6205 221  | Etikett-Gashebel                 | 1     |
| 9        | 6205 209  | Etikett-Bremse                   | 1     |
| 10       | 6205 208  | Etikett-Info                     | 1     |
| 11       | 6205 207  | Etikett-Sicherheit, Text         | 1     |
| 12       | 6205 203  | Etikett-Sicherheit, Mähwerk      | 2     |
| 13       | 6205 210  | Etikett-Höheneinstellung, links  | 1     |
| 14       | 6205 211  | Etikett-Höheneinstellung, rechts | 1     |
| 15       | 6205 206  | Etikett-Fahrtrichtung            | 1     |
| 16       | 6205 212  | Etikett-Überbrückung             | 1     |
| 17       | 6205 218  | Etikett-Sicherheit, Symbol       | 1     |
| 21       | 6205 215  | P-Etikett                        | 1     |
| 22       | 6205 217  | Etikett-Boden                    | 1     |
| 23       | 6205 222  | Etikett-Heckblech                | 1     |
| 24       | 6205 214  | Etikett-Lenkrad                  | 1     |
| 25       | 6205 216  | Etikett-Barcode                  | 1     |
| 27       | 6205 213  | Etikett-Fangsack                 | 1     |

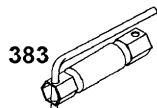
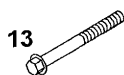
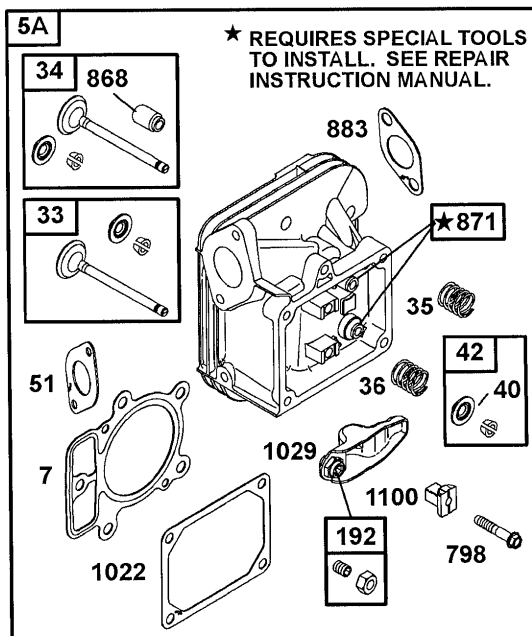
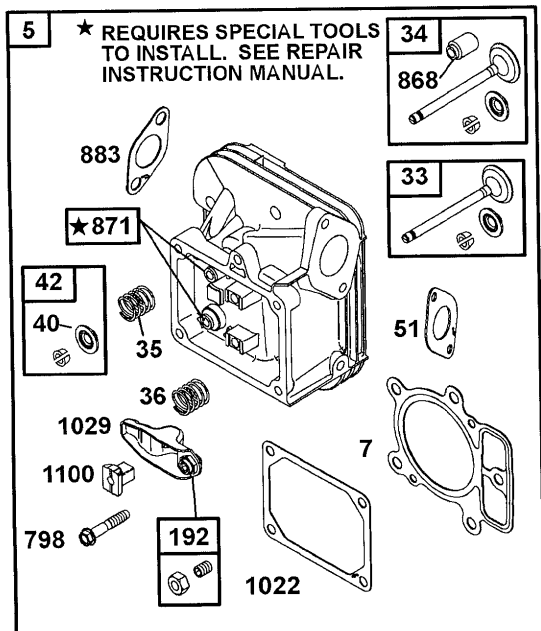
english: see next page

## Trac OHV 7 decals / labels

| Ref. No. | Part No. | description              | pieces |
|----------|----------|--------------------------|--------|
| 1        | 6205 205 | Decal arrow              | 2      |
| 2        | 6205 220 | Identification label     | 1      |
| 3        | 6205 204 | Battery label            | 1      |
| 5        | 6205 219 | Decal, dash panel, right | 1      |
| 6        | 6205 221 | Decal, dash panel, left  | 1      |
| 9        | 6205 209 | Brake locking            | 1      |
| 10       | 6205 208 | Users information        | 1      |
| 11       | 6205 207 | Safety label             | 1      |
| 12       | 6205 203 | Safety label cutting     | 2      |
| 13       | 6205 210 | Label of lifting, left   | 1      |
| 14       | 6205 211 | Label of lifting, right  | 1      |
| 15       | 6205 206 | Travel direction decal   | 1      |
| 16       | 6205 212 | By-pass decal            | 1      |
| 17       | 6205 218 | Safety decal             | 1      |
| 21       | 6205 215 | Hood decal               | 1      |
| 22       | 6205 217 | Safety information book  | 1      |
| 23       | 6205 222 | Rear plate chute decal   | 1      |
| 24       | 6205 214 | Steering wheel decal     | 1      |
| 25       | 6205 216 | Bar code label           | 1      |
| 27       | 6205 213 | Grass collector decal    | 1      |



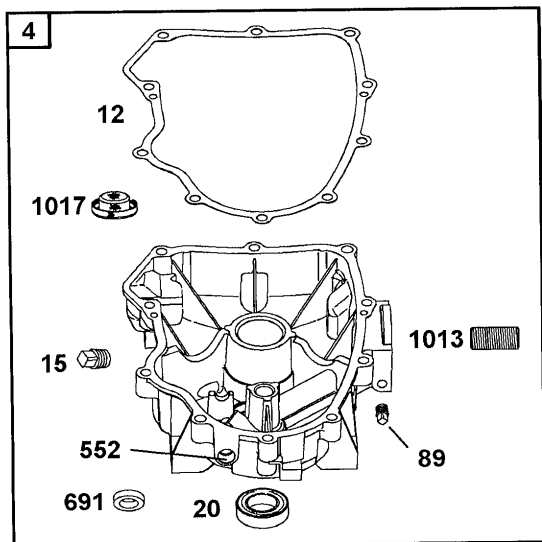
Zylinderkopf / head assemblies



**Intek OHV Zylinderkopf**  
**Intek OHV head assemblies**

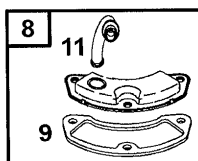
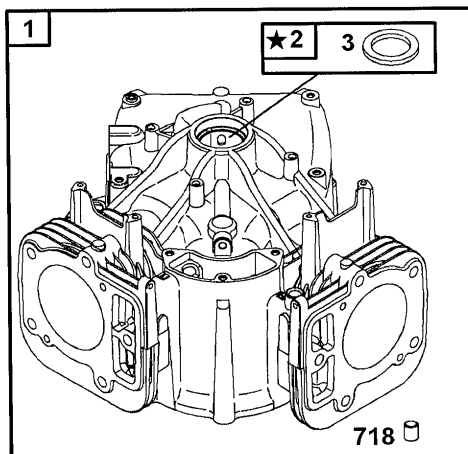
| Bild-Nr. /<br>Ref. No. | Best.-Nr. /<br>Part No. | Bezeichnung               | description                | Part No.<br>B & S |
|------------------------|-------------------------|---------------------------|----------------------------|-------------------|
| 5A                     | 1002 021                | Zylinderkopf (Zylinder 2) | head-cylinder (cylinder 2) | 499595            |
| 5                      | 1002 020                | Zylinderkopf (Zylinder 1) | head-cylinder (cylinder 1) | 499587            |
| 7                      | 1002 331                | Zylinderkopfdichtung      | gasket-cylinder head       | 690962            |
| 13                     | 1002 143                | Schraube                  | screw                      | 690360            |
| 33                     | 1002 027                | Auslassventil             | valve exhaust              | 499596            |
| 34                     | 1002 028                | Einlassventil             | valve intake               | 499597            |
| 35                     | 1002 158                | Einlassventilfeder        | spring-valve intake        | 690963            |
| 36                     | 1002 158                | Auslassventilfeder        | spring-valve exhaust       | 690963            |
| 40                     | 1002 112                | Federteller               | retainer, valve spring     | 263215            |
| 42                     | 1002 019                | Ventilhalter kpl.         | keeper-valve               | 499586            |
| 51                     | 1002 302                | Dichtung                  | gasket intake              | 273487            |
| 192                    | 1002 043                | Einstellmutter kpl.       | adjuster-rocker arm        | 690083            |
| 337                    | 1002 114                | Zündkerze                 | plug-spark (resistor)      | 491055            |
| 383                    | 2057 420                | Zündkerzenschlüssel       | wrench spark plug          | 19374             |
| 798                    | 1002 159                | Schraube                  | screw (rocker arm)         | 690967            |
| 868                    | 1002 332                | Dichtung                  | seal valve                 | 690968            |
| 871                    | 1002 160                | Auslassventilföhrung      | bushing-valve guide        | 690969            |
| 883                    | 1002 333                | Dichtung                  | gasket exhaust             | 690970            |
| 1022                   | 1002 301                | Ventildeckeldichtung      | gasket (rocker gover)      | 273486            |
| 1029                   | 1002 161                | Kipphebel                 | arm rocker                 | 690972            |
| 1100                   | 1002 162                | Kipphebelföhrung          | pivot rocker arm           | 690973            |

KurbelgehÄuse, Ölwanne / cylinder group, sump base



1019 LABEL KIT

1058 OWNER'S MANUAL

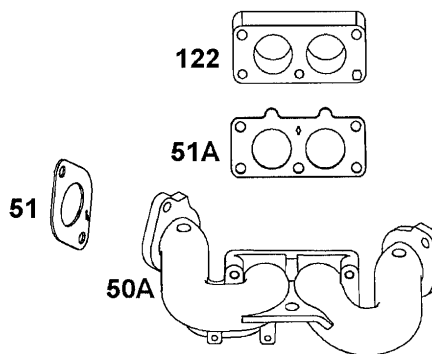
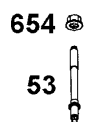
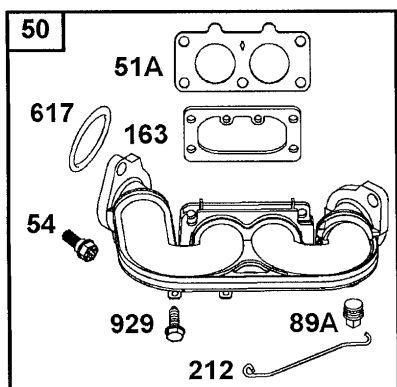
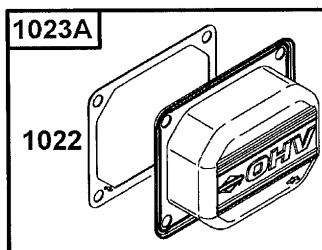
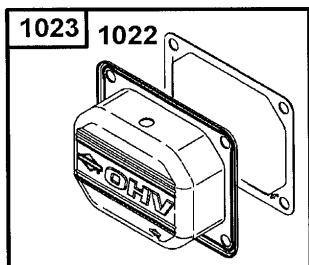


★ REQUIRES SPECIAL TOOLS TO INSTALL. SEE REPAIR INSTRUCTION MANUAL.

**Intek OHV Kurbelgehäuse, Ölwanne**  
**Intek OHV cylinder group, sump base**

| Bild-Nr. /<br>Ref. No. | Best.-Nr. /<br>Part No. | Bezeichnung         | description         | Part No.<br>B & S |
|------------------------|-------------------------|---------------------|---------------------|-------------------|
| 1                      | 1002 046                | Zylinder            | cylinder assembly   | 690231            |
| 2                      | 1002 018                | Hauptlagerbuchse    | kit-bushing/seal    | 499585            |
| 3                      | 1002 307                | Wellendichtring     | seal-oil            | 391086            |
| 4                      | 1002 042                | Ölwanne             | sump base           | 690069            |
| 8                      | 1002 025                | Entlüfterventil     | breather assembly   | 499601            |
| 9                      | 1002 300                | Dichtung/Entlüfter  | gasket-breather     | 273370            |
| 10                     | 1002 157                | Schraube            | screw               | 690960            |
| 11                     | 1002 328                | Leitung             | tube-breather       | 690942            |
| 12                     | 1002 303                | Dichtung            | gasket-engine base  | 273488            |
| 15                     | 2063 109                | Stopfen             | plug-oil drain      | 94239             |
| 20                     | 1002 329                | Wellendichtring     | seal oil            | 690947            |
| 22                     | 1002 139                | Schraube            | screw               | 690308            |
| 89                     | 1002 325                | Stopfen             | plug                | 690283            |
| 239                    | 1002 312                | Öldruckschalter     | switch-oil pressure | 491657            |
| 250                    | 1002 156                | Halter              | retainer-breather   | 690957            |
| 252                    | 1002 155                | Ölfilter            | collector-oil       | 690956            |
| 552                    | 1002 147                | Buchse              | bushing-governor    | 690552            |
| 691                    | 1002 149                | Dichtung            | seal-governor shaft | 690657            |
| 718                    | 2057 117                | Paßstift            | pin-locating        | 230192            |
| 1013                   | 1002 154                | Nippel Ölfilter     | nipple-oil filter   | 690954            |
| 1017                   | 1002 327                | Sieb Ölpumpe        | screen-oil pump     | 690770            |
| 1019                   | 1002 044                | Aufklebersatz       | label kit           | 690103            |
| 1058                   | 1002 200                | Bedienungsanleitung | Owner´s manual      | 274277            |

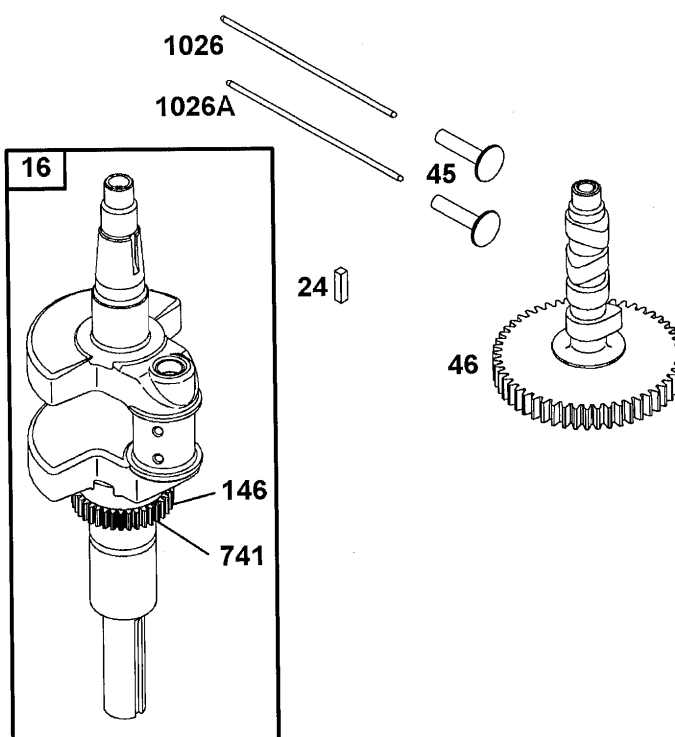
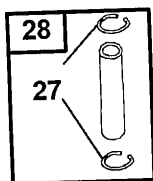
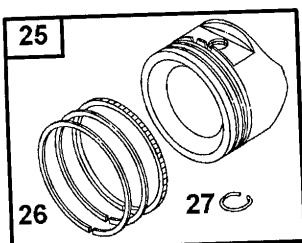
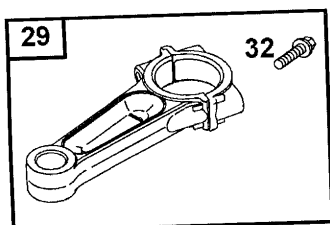
Ventildeckel, Krümmer / rocker covers, manifold



**Intek OHV Ventildeckel, Krümmer  
Intek OHV rocker covers, manifold**

| Bild-Nr. /<br>Ref. No. | Best.-Nr. /<br>Part No. | Bezeichnung                | description               | Part No.<br>B & S |
|------------------------|-------------------------|----------------------------|---------------------------|-------------------|
| 50                     | 1002 086                | Krümmer (Plastik)          | manifold-intake (plastic) | 695241            |
| 50A                    | 1002 151                | Krümmer (Aluminium)        | manifold-intake (alum.)   | 690948            |
| 51                     | 1002 302                | Dichtung                   | gasket-intake             | 273487            |
| 51A                    | 1002 330                | Dichtung                   | gasket-intake             | 690950            |
| 53                     | 1002 152                | Bolzen (Vergaser)          | stud (carburetor)         | 690951            |
| 54                     | 1002 407                | Schraube                   | screw                     | 695240            |
| 122                    | 1002 153                | Flansch                    | spacer-carburetor         | 690952            |
| 163                    | 1002 304                | Dichtung                   | gasket-air cleaner        | 273640            |
| 212                    | 1002 405                | Gestänge                   | link-throttle             | 695238            |
| 617                    | 1002 305                | Dichtung                   | gasket-air cleaner        | 281106            |
| 654                    | 1002 103                | Mutter                     | Nut                       | 94010             |
| 914                    | 1002 157                | Schraube                   | screw                     | 690960            |
| 929                    | 1002 406                | Schraube                   | screw                     | 695239            |
| 1022                   | 1002 301                | Ventildeckeldichtung       | gasket (rocker cover)     | 273486            |
| 1023A                  | 1002 023                | Ventil-Deckel (Zylinder 2) | cover-rocker (cylinder 2) | 499600            |
| 1023                   | 1002 022                | Ventil-Deckel (Zylinder 1) | cover-rocker (cylinder 1) | 499599            |

**Kurbelwelle, Kolben, Pleuel, Ventile /  
crankshaft, piston group, connecting rod, valve  
group**



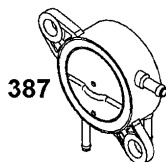
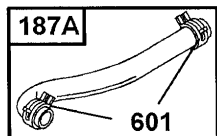
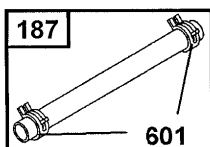
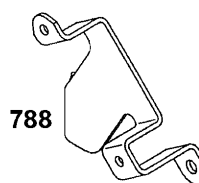
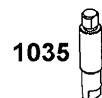
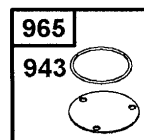
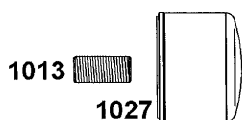
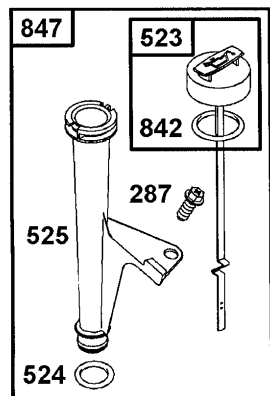
**Intek OHV Kurbelwelle, Kolben Pleuel, Ventile**

**Intek OHV crankshaft, piston group, connecting rod, valve gr.**

| Bild-Nr. /<br>Ref. No. | Best.-Nr. /<br>Part No. | Bezeichnung              | description          | Part No.<br>B & S |
|------------------------|-------------------------|--------------------------|----------------------|-------------------|
| 16                     | 1002 048                | Kurbelwelle              | crankshaft           | 691046            |
| 24                     | 2057 130                | Schwungrad-Keil          | key flywheel         | 222698            |
| 25                     | 1002 037                | Kolben                   | piston assembly      | 499588            |
| 26                     | 1002 026                | Kolbenringsatz           | ring set             | 499604            |
| 27                     | 1002 111                | Sicherung                | lock - piston pin    | 263181            |
| 28                     | 1002 045                | Kolbenbolzen             | pin - piston         | 690229            |
| 29                     | 1002 024                | Pleuel                   | rod connecting       | 499583            |
| 32                     | 1002 163                | Schraube                 | screw                | 690976            |
| 45                     | 2057 156                | Ventil-Stössel           | tappet - valve       | 262679            |
| 46                     | 1002 164                | Nockenwelle              | camshaft             | 690978            |
| 146                    | 2057 104                | Schraube                 | key-timing           | 94388             |
| 741                    | 1002 165                | Zahnrad                  | gear - timing        | 690980            |
| 1026                   | 1002 166                | Stößelstange (Stahl)     | rod-push (steel)     | 690981            |
| 1026A                  | 1002 167                | Stößelstange (Aluminium) | rod-push (aluminium) | 690982            |



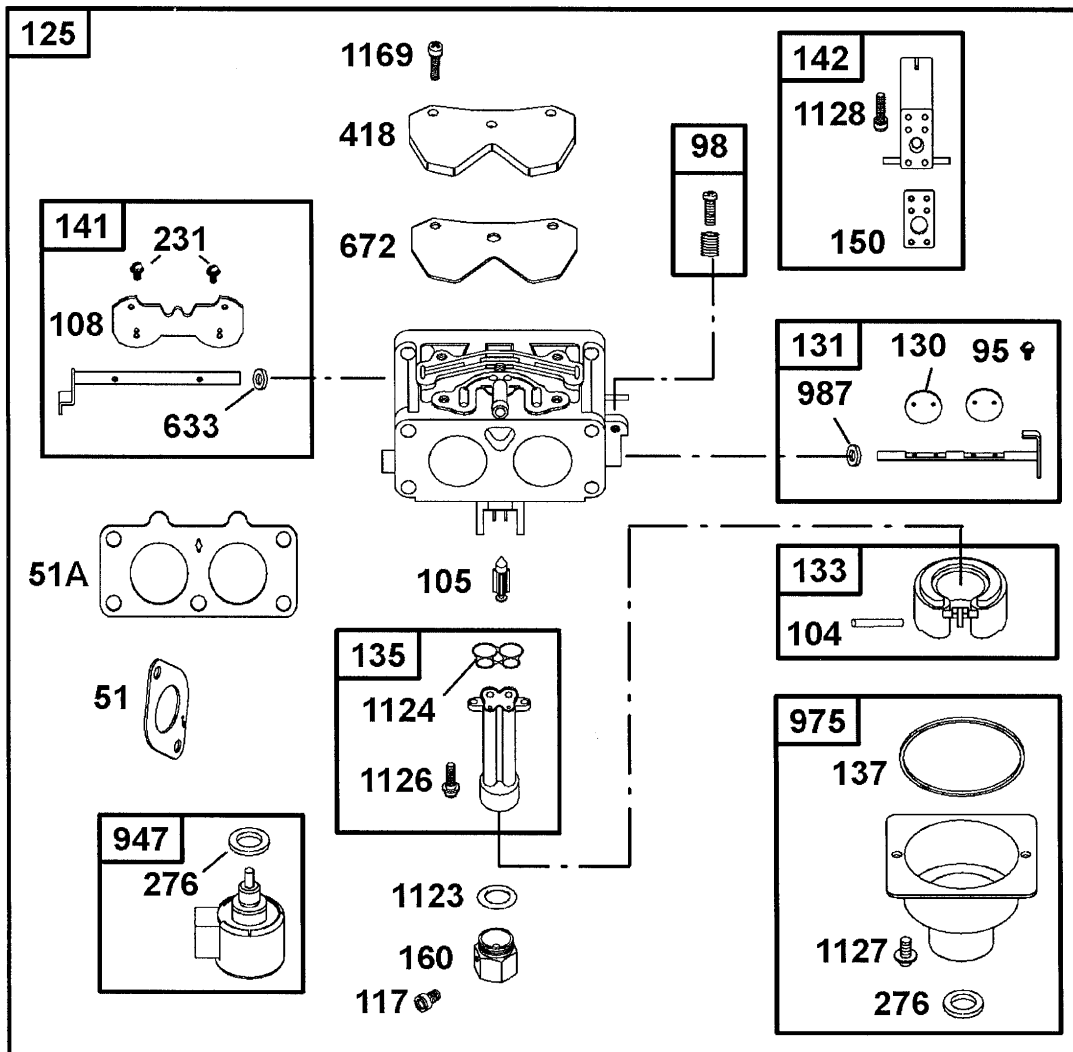
Öleinfüllrohr, Ölpumpe / oil group, fuel pump group



**Intek OHV Öleinfüllrohr, Ölpumpe**  
**Intek OHV oil group, fuel pump group**

| Bild-Nr. /<br>Ref. No. | Best.-Nr. /<br>Part No. | Bezeichnung       | description            | Part No.<br>B & S |
|------------------------|-------------------------|-------------------|------------------------|-------------------|
| 187A                   | 1002 080                | Leitung           | line-fuel              | 691049            |
| 187                    | 1002 306                | Leitung           | line-fuel              | 298049            |
| 240                    | 1002 314                | Filter            | filter-fuel            | 493629            |
| 287                    | 1002 157                | Schraube          | screw                  | 690960            |
| 385                    | 1002 157                | Schraube          | screw                  | 690960            |
| 387                    | 1002 408                | Pumpenkörper      | pump-fuel              | 808656            |
| 523                    | 1002 047                | Ölkontrollstopfen | dipstick               | 691036            |
| 524                    | 1002 344                | Dichtung          | seal-dipstick tube     | 691032            |
| 525                    | 1002 191                | Einfüllrohr       | tube-dipstick          | 691037            |
| 601                    | 1002 108                | Klemme            | clamp                  | 95162             |
| 628                    | 1002 157                | Schraube          | screw                  | 690960            |
| 750                    | 1002 190                | Schraube          | screw                  | 691033            |
| 788                    | 1002 192                | Halter            | bracket-fuel pump      | 691039            |
| 842                    | 2063 211                | O-Ring            | o-ring seal            | 280393            |
| 847                    | 1002 033                | Einfüllrohr       | dipstick/tube assembly | 499602            |
| 918                    | 1002 347                | Vakuumschlauch    | hose-vacuum            | 694000            |
| 943                    | 1002 326                | O-Ring            | seal-o ring            | 690589            |
| 965                    | 1002 029                | Abdeckung kpl.    | cover-oil pump         | 499613            |
| 1013                   | 1002 154                | Nippel (Ölfilter) | nipple-oil filter      | 690954            |
| 1024                   | 1002 116                | Ölpumpe           | pump oil               | 499054            |
| 1027                   | 1002 313                | Ölfilter          | filter oil             | 492932            |
| 1035                   | 1002 193                | Schaft            | shaft-pump             | 691042            |

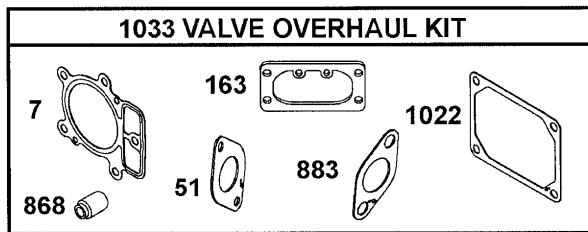
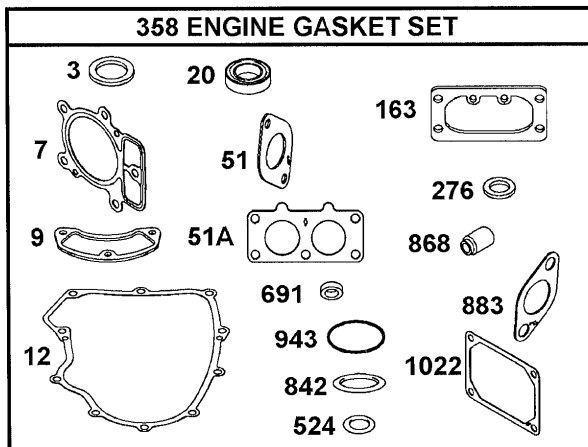
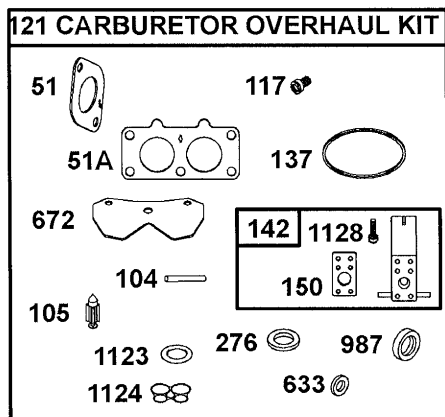
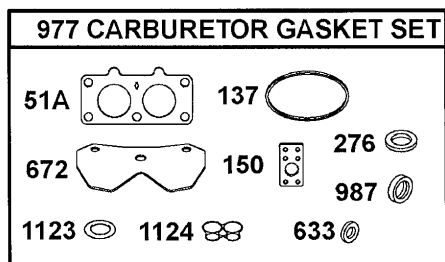
Vergaser / carburetor



**Intek OHV Vergaser**  
**Intek OHV carburetor**

| Bild-Nr. /<br>Ref. No. | Best.-Nr. /<br>Part No. | Bezeichnung          | description                 | Part No.<br>B & S |
|------------------------|-------------------------|----------------------|-----------------------------|-------------------|
| 51                     | 1002 302                | Dichtung             | gasket intake               | 273487            |
| 51A                    | 1002 330                | Dichtung             | gasket intake               | 690950            |
| 95                     | 1002 150                | Schraube             | screw                       | 690718            |
| 98                     | 1002 017                | Schraube             | screw                       | 499802            |
| 104                    | 1002 168                | Bolzen               | pin - float hinge           | 690984            |
| 105                    | 1002 169                | Schwimmernadelv.     | valve-float needle          | 690985            |
| 108                    | 1002 170                | Choke-Klappe         | valve choke                 | 690986            |
| 117                    | 1002 171                | Hauptdüse            | jet-main (high altitude)    | 690989            |
| 117                    | 1002 138                | Hauptdüse (Standard) | jet-main (standard)         | 690232            |
| 125                    | 1002 036                | Vergaser             | carburetor                  | 499804            |
| 130                    | 1002 336                | Drosselklappe        | valve-throttle              | 690993            |
| 131                    | 1002 030                | Welle kpl.           | kit-throttle shaft          | 499805            |
| 133                    | 1002 032                | Schwimmer            | float-carburettor           | 499806            |
| 135                    | 1002 015                | Dichtung kpl.        | tube-fuel transfer          | 499803            |
| 137                    | 1002 337                | Dichtung             | gasket-float bowl           | 690994            |
| 141                    | 1002 016                | Welle kpl.           | kit-choke shaft             | 499807            |
| 142                    | 1002 034                | Düsennadel           | nozzle-carburetor           | 499808            |
| 150                    | 1002 338                | Verbindung           | gasket-nozzle               | 690995            |
| 160                    | 1002 175                | Mutter               | retainer-solenoid           | 690996            |
| 231                    | 1002 150                | Schraube             | screw                       | 690718            |
| 276                    | 1002 176                | Scheibe              | washer-sealing              | 690997            |
| 418                    | 1002 178                | Platte               | plate-carburetor            | 690999            |
| 633                    | 1002 177                | Scheibe              | seal-choke / throttle shaft | 690998            |
| 672                    | 1002 324                | Dichtung             | gasket-carburetor plate     | 690234            |
| 947                    | 1002 137                | Magnetschalter       | solenoid-fuel               | 499809            |
| 975                    | 1002 035                | Schwimmergehäuse     | bowl-float                  | 499810            |
| 987                    | 1002 179                | Scheibe              | seal-throttle shaft         | 691000            |
| 1123                   | 1002 334                | O-Ring               | seal - O-Ring               | 690987            |
| 1124                   | 1002 335                | Dichtung             | seal - O-Ring               | 690988            |
| 1126                   | 1002 173                | Schraube             | screw                       | 690991            |
| 1127                   | 1002 174                | Schraube             | screw                       | 690992            |
| 1128                   | 1002 172                | Schraube             | screw                       | 690990            |
| 1169                   | 1002 172                | Schraube             | screw                       | 690990            |

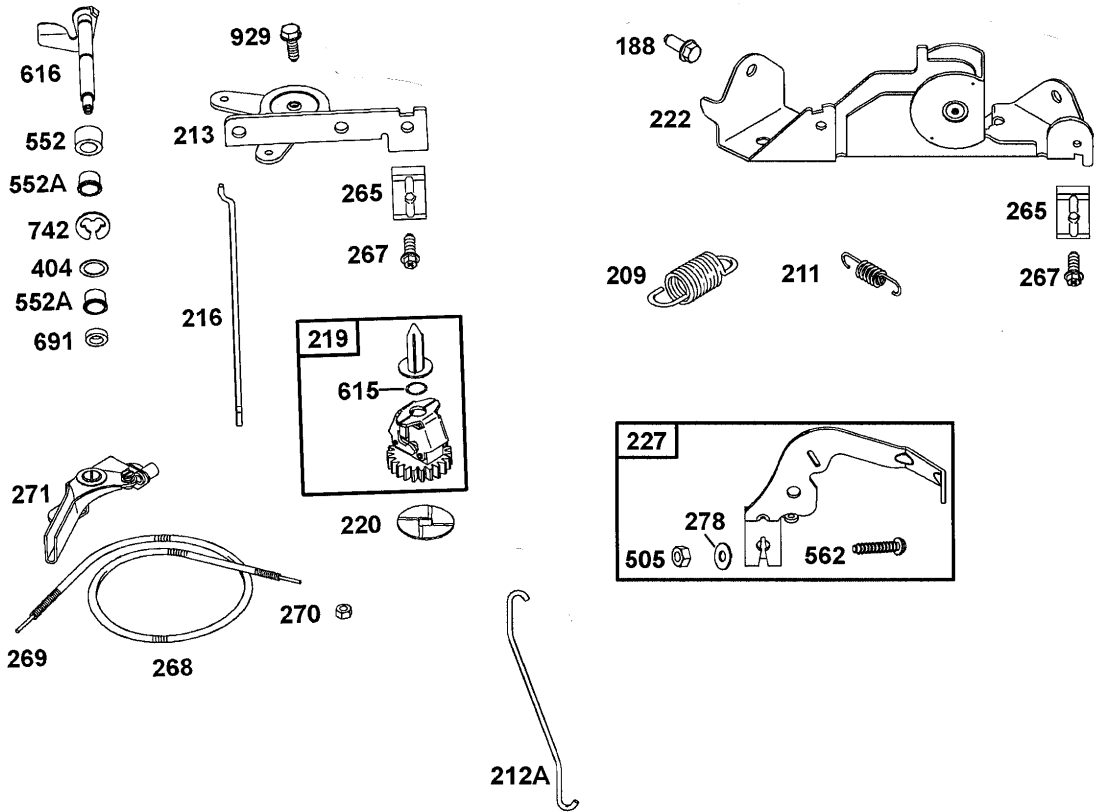
Dichtungssatz / gasket set



**Intek OHV Dichtungssatz**  
**Intek OHV gasket set**

| Bild-Nr. /<br>Ref. No. | Best.-Nr. /<br>Part No. | Bezeichnung            | description                  | Part No.<br>B & S |
|------------------------|-------------------------|------------------------|------------------------------|-------------------|
| 3                      | 1002 307                | Wellendichtring        | seal-oil                     | 391086            |
| 7                      | 1002 331                | Zylinderkopfdichtung   | gasket-cylinder head         | 690962            |
| 9                      | 1002 300                | Dichtung/Entlufer     | gasket breather              | 273370            |
| 12                     | 1002 303                | Dichtung               | gasket-engine base           | 273488            |
| 20                     | 1002 329                | Wellendichtring        | seal-oil                     | 690947            |
| 51A                    | 1002 330                | Dichtung               | gasket intake                | 690950            |
| 51                     | 1002 302                | Dichtung               | gasket intake                | 273487            |
| 104                    | 1002 168                | Bolzen                 | pin-float hinge              | 690984            |
| 105                    | 1002 169                | Schwimmernadelventil   | valve-float needle           | 690985            |
| 117                    | 1002 138                | Hauptduse             | jet-main                     | 690232            |
| 121                    | 1002 038                | Vergaser-berholsatz   | kit-carburetor overhaul      | 499811            |
| 137                    | 1002 337                | Dichtung               | gasket float bowl            | 690994            |
| 142                    | 1002 034                | Dsennadel             | nozzle-carburetor            | 499808            |
| 150                    | 1002 338                | Dichtung               | gasket-nozzle                | 690995            |
| 163                    | 1002 304                | Dichtung               | gasket-air cleaner           | 273640            |
| 276                    | 1002 176                | Scheibe                | washer-sealing               | 690997            |
| 358                    | 1002 040                | Dichtungssatz          | gasket set-engine            | 499889            |
| 524                    | 1002 344                | Dichtung               | seal-dipstick tube           | 691032            |
| 633                    | 1002 177                | Scheibe                | seal-choke / throttle shaft  | 690998            |
| 672                    | 1002 324                | Dichtung               | gasket-carburetor plate      | 690234            |
| 691                    | 1002 149                | Ring                   | seal-governor shaft          | 690657            |
| 842                    | 2063 211                | Dichtung               | O-Ring Seal                  | 280393            |
| 868                    | 1002 332                | Dichtung               | seal-valve                   | 690968            |
| 883                    | 1002 333                | Dichtung               | gasket-exhaust               | 690970            |
| 943                    | 1002 326                | O-Ring                 | seal-o ring (oil pump cover) | 690589            |
| 977                    | 1002 039                | Dichtungssatz/Vergaser | gasket-set carburetor        | 499812            |
| 987                    | 1002 179                | Scheibe                | seal-throttle shaft          | 691000            |
| 1022                   | 1002 301                | Dichtung               | gasket (rocker cover)        | 273486            |
| 1033                   | 1002 041                | Dichtungssatz Ventile  | gasket set valve             | 499890            |
| 1123                   | 1002 334                | O-Ring                 | seal-o ring                  | 690987            |
| 1124                   | 1002 335                | O-Ring                 | seal-o ring                  | 690988            |
| 1128                   | 1002 172                | Schraube               | screw                        | 690990            |

Regelung / controls

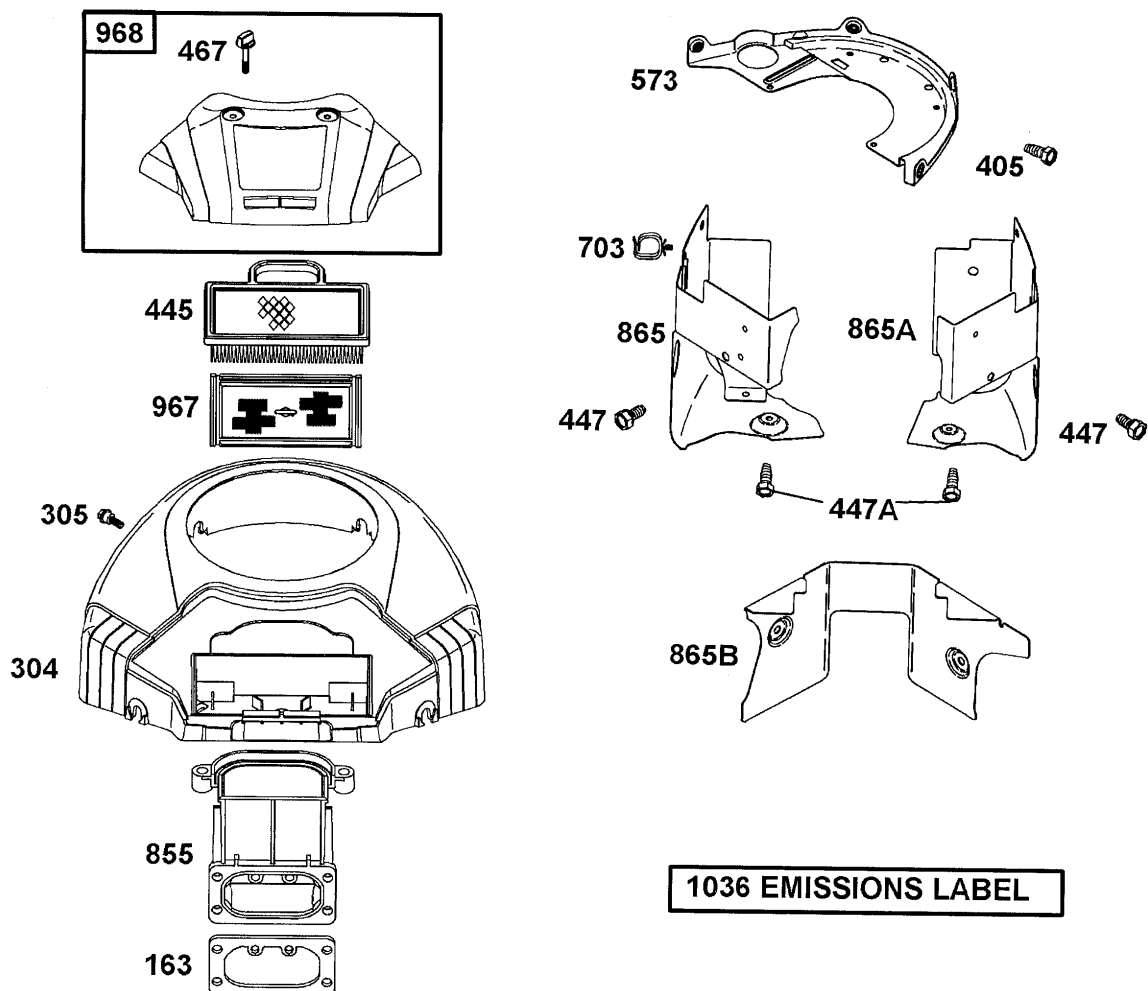


**Intek OHV Regelung**  
**Intek OHV controls**

| <b>Bild-Nr. /<br/>Ref. No.</b> | <b>Best.-Nr. /<br/>Part No.</b> | <b>Bezeichnung</b>               | <b>description</b>        | <b>Part No.<br/>B &amp; S</b> |
|--------------------------------|---------------------------------|----------------------------------|---------------------------|-------------------------------|
| 188                            | 1002 157                        | Schraube                         | screw                     | 690960                        |
| 209                            | 1002 184                        | Reglerfeder                      | spring - governor         | 691018                        |
| 211                            | 1002 185                        | Reglerfeder                      | spring - governor         | 691019                        |
| 212A                           | 1002 186                        | Gestange                        | link - throttle           | 691020                        |
| 213                            | 1002 187                        | Befestigungs-Halter<br>Bowdenzug | bracket - choke control   | 691021                        |
| 216                            | 1002 188                        | Gestange                        | link - choke              | 691022                        |
| 219                            | 1002 087                        | Regler kompl.                    | gear - governor           | 394348                        |
| 220                            | 1002 145                        | Anlaufscheibe                    | washer                    | 690412                        |
| 222                            | 1002 189                        | Reglerplatte                     | bracket - control         | 691023                        |
| 227                            | 1002 049                        | Regler-Hebel                     | lever - control           | 691048                        |
| 265                            | 2069 148                        | Klemme                           | clamp - casing            | 221535                        |
| 267                            | 1002 105                        | Schraube                         | screw                     | 94882                         |
| 268                            | 2069 129                        | Hulle                           | casing - control wire     | 65616                         |
| 269                            | 2069 128                        | Zug                              | wire - control            | 26633                         |
| 270                            | 1034 418                        | Mutter                           | nut                       | 63426                         |
| 271                            | 1036 407                        | Hebel                            | lever - control           | 290568                        |
| 278                            | 1002 107                        | Scheibe                          | washer                    | 94942                         |
| 404                            | 1002 146                        | Scheibe                          | washer                    | 690442                        |
| 505                            | 1002 100                        | Mutter                           | nut                       | 92278                         |
| 552                            | 1002 147                        | Buchse                           | bushing - governor        | 690552                        |
| 552A                           | 1002 148                        | Buchse                           | bushing - governor        | 690553                        |
| 562                            | 1002 140                        | Bolzen                           | bolt                      | 690311                        |
| 615                            | 1002 141                        | Halter                           | retainer - governor shaft | 690317                        |
| 616                            | 1002 195                        | Reglerschaft                     | crank - governor          | 691045                        |
| 691                            | 1002 149                        | Ring                             | seal - governor shaft     | 690657                        |
| 742                            | 1002 142                        | Ring                             | retainer-e ring           | 690328                        |
| 929                            | 1002 406                        | Schraube                         | screw                     | 695239                        |



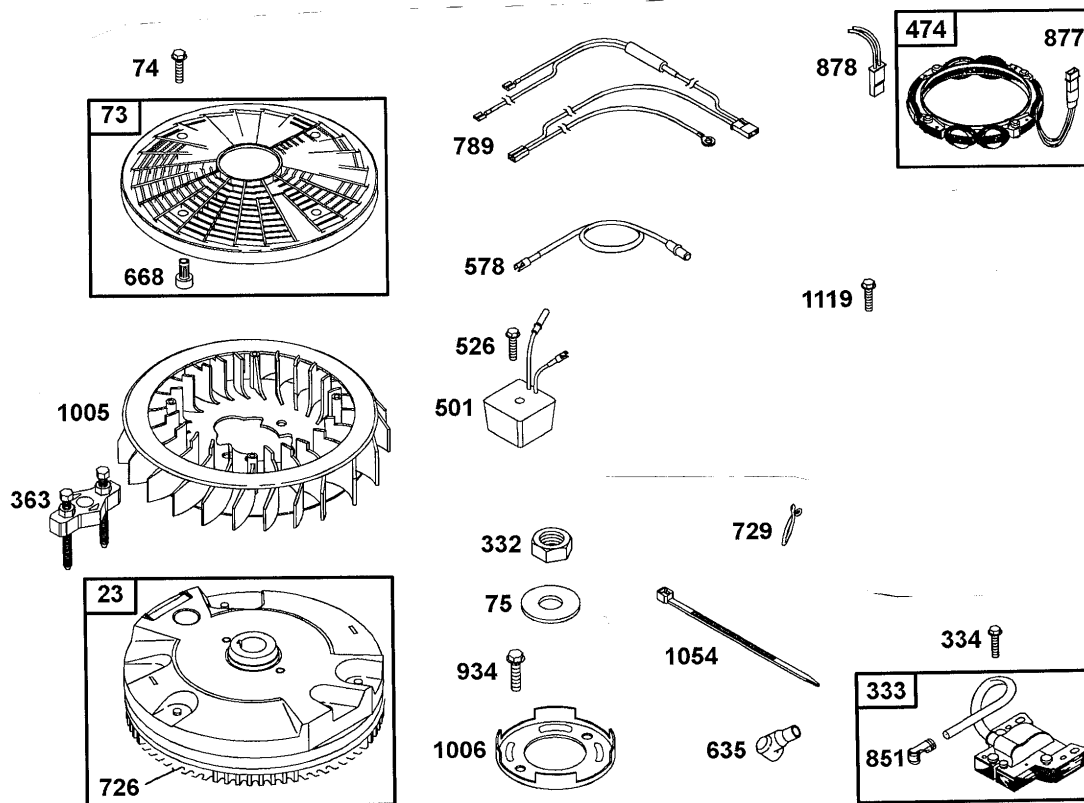
**PolradgehÄuse, Luftfilter, LuftfÄhrung /  
blower housing, air cleaner, air guides**



**Intek OHV PolradgehÄuse, Luftfilter, LuftfÄhrung**  
**Intek OHV blower housing, air cleaner, air guides**

| Bild-Nr. /<br>Ref. No. | Best.-Nr. /<br>Part No. | Bezeichnung                 | description          | Part No.<br>B & S |
|------------------------|-------------------------|-----------------------------|----------------------|-------------------|
| 163                    | 1002 304                | Dichtung                    | gasket-air cleaner   | 273640            |
| 304                    | 1002 339                | SchwungradgehÄuse (rot)     | housing-blower (red) | 691004            |
| 305                    | 1002 180                | Schraube                    | screw                | 691005            |
| 405                    | 1002 157                | Schraube                    | screw                | 690960            |
| 445                    | 1002 323                | Luftfiltereinsatz           | filter-air cleaner   | 499486            |
| 447A                   | 1002 157                | Schraube                    | screw                | 690960            |
| 447                    | 1002 106                | Schraube                    | screw                | 94930             |
| 467                    | 1002 181                | Drehknopf                   | knob-air cleaner     | 691008            |
| 573                    | 1002 182                | Abdeckblech                 | plate-back           | 691009            |
| 703                    | 1002 340                | Klipp                       | clip                 | 691010            |
| 855                    | 1002 183                | Adapter                     | adapter-air cleaner  | 691011            |
| 865B                   | 1002 343                | Verkleidungsd. (Ventil)     | cover (valley)       | 691015            |
| 865A                   | 1002 342                | Verkleidungsd. (Zylinder 2) | cover (cylinder 2)   | 691013            |
| 865                    | 1002 341                | Verkleidungsd. (Zylinder 1) | cover (cylinder 1)   | 691012            |
| 967                    | 1002 310                | Luftfilter                  | filter-pre cleaner   | 273638            |
| 968                    | 1002 031                | Luftfilterdeckel            | cover-air cleaner    | 499788            |
| 1036                   | 1002 201                | Aufkleber Emmission         | label-emmissions     | 695104            |

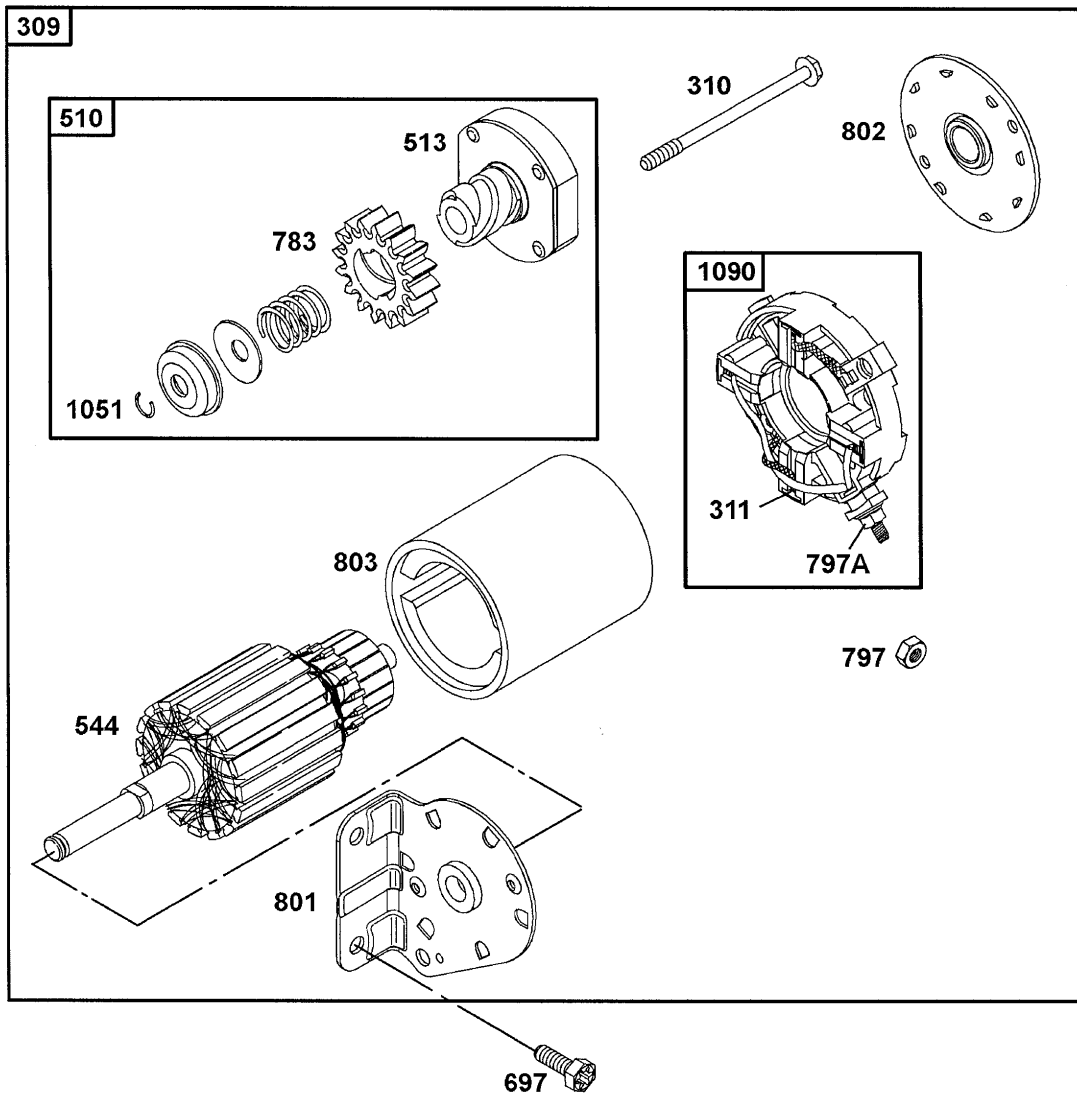
Polrad, elektr. Bauteile / flywheel, electrical



**Intek OHV Polrad, elektr. Bauteile**  
**Intek OHV flywheel, electrical**

| Bild-Nr. /<br>Ref. No. | Best.-Nr. /<br>Part No. | Bezeichnung       | description                                  | Part No.<br>B & S |
|------------------------|-------------------------|-------------------|--|-------------------|
| 23                     | 1002 081                | Schwungrad        | flywheel                                     | 691053            |
| 73                     | 1002 082                | Sieb              | screen-rotating                              | 691055            |
| 74                     | 1002 197                | Schraube          | screw  | 691057            |
| 75                     | 1002 196                | Scheibe           | washer                                       | 691056            |
| 332                    | 1002 109                | Mutter            | Nut  | 230674            |
| 333                    | 1002 083                | Zündspule         | armature-magneto                             | 691060            |
| 334                    | 2059 306                | Schraube          | screw  | 94731             |
| 363                    | 1002 010                | Abzieher          | flywheel puller                              | 19203             |
| 474                    | 1002 012                | Lichtmaschine     | alternator                                   | 393474            |
| 501                    | 1002 115                | Regler            | regulator                                    | 491546            |
| 526                    | 1002 198                | Schraube          | screw  | 691202            |
| 578                    | 1002 345                | Kabel             | wire assembly                                | 691208            |
| 635                    | 1034 435                | Zündkerzenstecker | boot-spark plug                              | 66538             |
| 668                    | 1002 199                | Hülse             | spacer                                       | 691215            |
| 726                    | 1002 117                | Zahnkranz         | gear-ring                                    | 499612            |
| 729                    | 1002 348                | Klemme            | clip-wire                                    | 694123            |
| 789                    | 1002 084                | Kabel             | harness-wiring                               | 691220            |
| 851                    | 2057 179                | Kerzenstecker     | terminal-spark plug                          | 493880            |
| 877                    | 1002 309                | Diode             | wire-connector-<br>alternator (dual circuit) | 393456            |
| 878                    | 1002 308                | Kabel             | harness-alternator                           | 393362            |
| 934                    | 1002 104                | Schraube          | screw  | 94627             |
| 1005                   | 1002 346                | Lüfterrad         | fan-flywheel                                 | 691243            |
| 1006                   | 1002 400                | Ringsicherung     | retainer-fan                                 | 691247            |
| 1054                   | 1002 311                | Kabelbinder       | tie-cable                                    | 280275            |
| 1119                   | 1002 101                | Schraube          | screw  | 93621             |

Elektr. Anlasser / electric starter



**Intek OHV Elektr. Anlasser**  
**Intek OHV electric starter**

| Bild-Nr. /<br>Ref. No. | Best.-Nr. /<br>Part No. | Bezeichnung              | description    | Part No.<br>B & S |
|------------------------|-------------------------|--------------------------|----------------|-------------------|
| 309                    | 1002 085                | Elektrostarter kpl.      | starter compl. | 691262            |
| 310                    | 1002 401                | Schraube                 | screw          | 691263            |
| 311                    | 1002 015                | Kohle-Bürsten-Satz       | brush set      | 497608            |
| 510                    | 1002 014                | Antrieb                  | drive-starter  | 497606            |
| 513                    | 1002 113                | Kupplung                 | clutch-drive   | 398003            |
| 544                    |                         | Anker                    | armature       |                   |
| 697                    | 1002 144                | Schraube                 | screw          | 690372            |
| 783                    | 1002 403                | Zahnrad                  | gear-pinion    | 693058            |
| 797                    | 1002 100                | Mutter                   | nut            | 92278             |
| 797A                   | 1002 404                | Mutter                   | nut            | 693167            |
| 801                    | 1002 402                | Flansch                  | cap-drive      | 691283            |
| 802                    | 1002 315                | Kappe                    | cap-end        | 497607            |
| 803                    |                         | Gehäuse                  | housing        |                   |
| 1051                   | 1002 110                | Sicherungsring           | ring-retaining | 263080            |
| 1090                   | 1002 013                | Platte-Kohlenhalter kpl. | retainer-brush | 497605            |