

**UV 34 E, Serie A / UV 34 E, Series A**

**Ausstattung Vertikutierer / Specification Electric Scarifier**

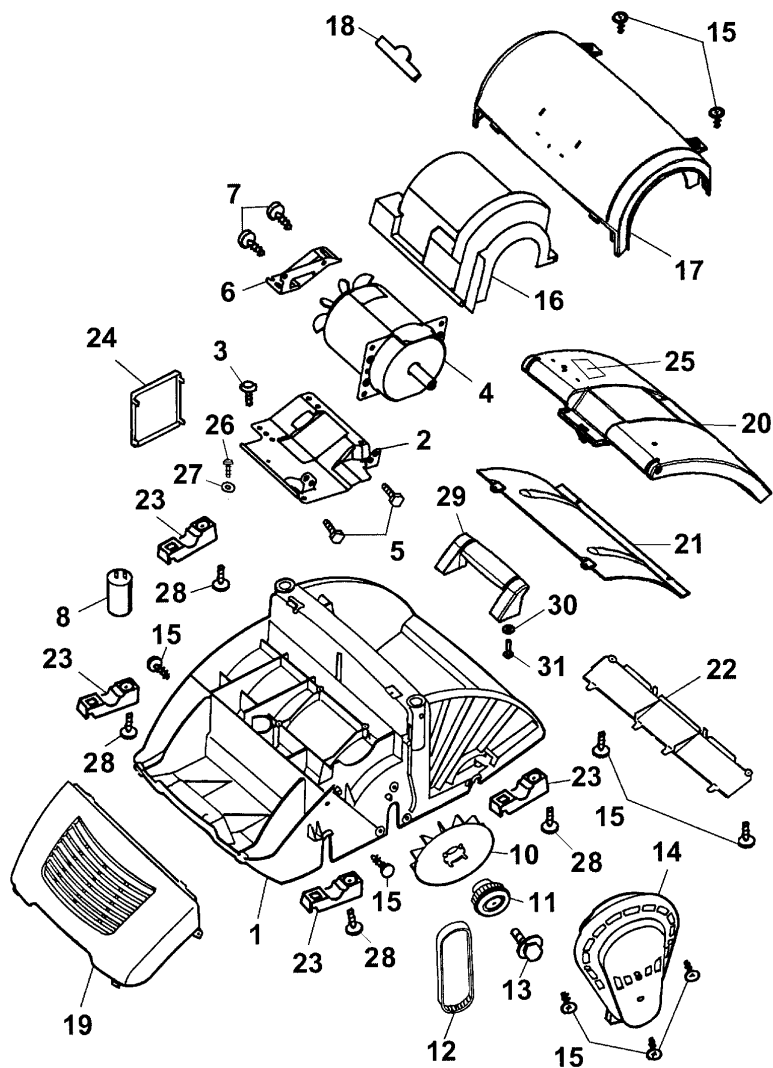
|  |  |         |         |
|--|--|---------|---------|
| Typ / Kurzbez. / short code                                      | UV 34 E  |         | UV ES   |
| Ausführung für / version   | International  | CH      | F       |
| Geräte - Nr. / part No.  | 3634680  | 3634683 | 3634001 |
| Arbeitsbreite / working width                                    | 34 cm  |         |         |
| Gewicht / weight   | 24 kg  |         |         |
| Schalleistung / sound level                                      | 92 dB (A)  |         |         |
| Ø Rad vorne / front wheel diameter                               | 20 cm (Kugellager / ball bearing)  |         |         |
| Ø Rad hinten / rear wheel diameter                               | 20 cm (Kugellager / ball bearing)  |         |         |
| Höhenverstellung / height adjustment                             | zentral / central  |         |         |
| Schnitthöhe (cm) / cutting height (cm)                           | stufenlos / continuously adjustable  |         |         |
| Motor - Hersteller / motor producer                              | Hanning  |         |         |
| Motor-Nr. WOLF / motor-number                                    | 1140065  |         |         |
| Leistung / power   | 1,6 kW   |         |         |
| Griffgestänge / handlebar  | Klappgriff / folding handlebar   |         |         |
| Schalter / switch  | Bügelschalter / bail arm switch  |         |         |
| Besonderheiten / special features                                | Transportstellung, Kabelführung<br>" Flick-Flack" / transport position,<br>cable guide "Flick-Flack" |         |         |
| <u>Zubehör / optional extra:</u>                                 |  |         |         |
| Messersatz / blade set   | UV-EV, Art.-Nr. / part no.: 3568081  |         |         |
| Fangkorb / grass collector                                       | TK-VV, Art.-Nr. / part no.: 3632060  |         |         |
| <u>Drehmomente Chassis / torque settings, chassis fasteners:</u> |  |         |         |
| Chassis - Stützschaale / chassis - supporting shell              | 2 Nm   |         |         |
| Chassis - Fronthaube / chassis - front covering                  | 2 Nm   |         |         |
| Chassis - Motorhaube / chassis - motor covering                  | 2 Nm   |         |         |
| Chassis - Zahnriemenabdeckung / chassis - toothed belt covering  | 2 Nm   |         |         |
| Chassis - Abdeckung / chassis - covering                         | 2 Nm   |         |         |
| Chassis - Motorträger / chassis - motor support                  | 3 Nm   |         |         |
| Chassis - Vertikutierwelle / chassis - Rotor & hubs assys        | 3-4 Nm   |         |         |
| Motor - Motorträger/motor - motor support                        | 16-18 Nm   |         |         |
| Motor - Zahnriemenscheibe / motor - tooth lock washer            | 16-18 Nm   |         |         |

**Achtung:** Instandsetzungen an Elektrogeräten dürfen nur von entsprechenden Fachkräften durchgeführt werden !  
Die Isolationswiderstandsmessung / Schutzleiterprüfung gemäß DIN/VDE 0701 Teil 2 ist **nach jeder Reparatur** vorzunehmen.

**Attention:** Repairs on electrical appliances must only be carried out by qualified specialists !  
The verification of the insulating resistance / protective conductor examination according to DIN/VDE 0701 part 2 **must be carried out after each repair !**

Ⓓ UV 34 E, Serie A, Chassis, Motor

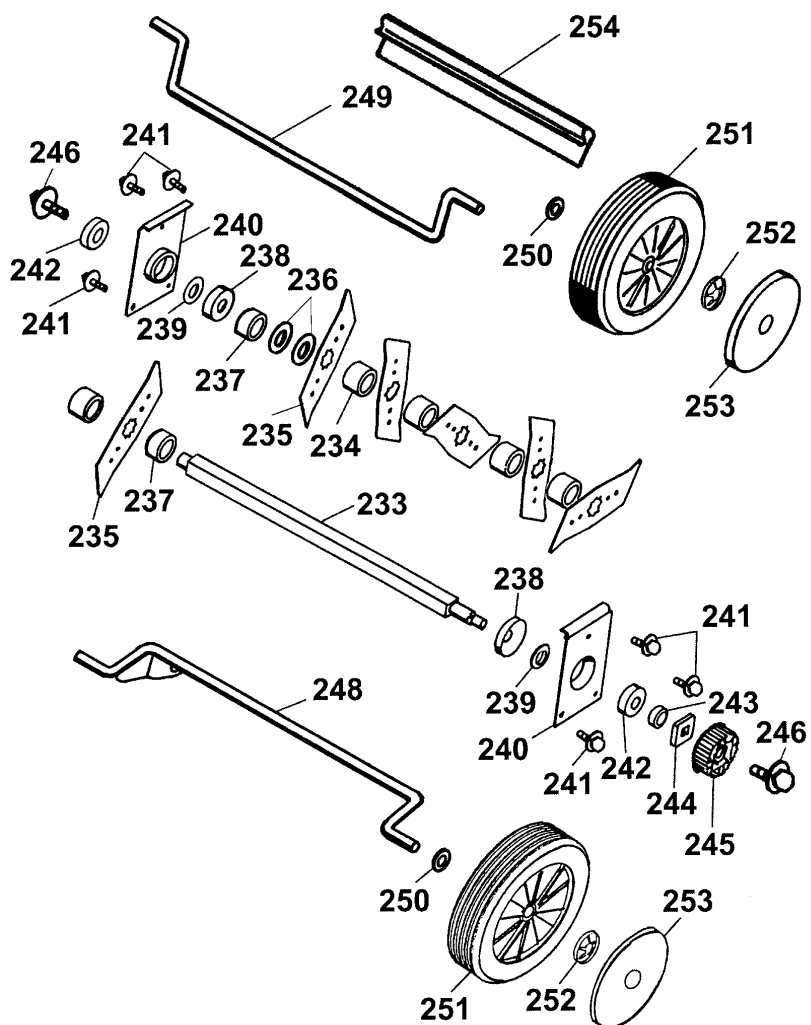
ⒼⒷ UV 34 E, Series A, Chassis, Motor



## UV 34 E Chassis, Motor

| Bild-Nr. /<br>Ref. No. | Best.-Nr. /<br>Part No. | Bezeichnung                 | Description              |
|------------------------|-------------------------|-----------------------------|--------------------------|
| 1                      | 3634 320                | Chassis                     | chassis                  |
| 2                      | 3632 148                | Motorträger                 | motor support            |
| 3                      | 0012 638                | TORX-Schr., K 60x22 (4 St.) | screw K 60x22 (4 pieces) |
| 4                      | 1142 080                | Motor 1.600 W               | motor 1.600 W            |
| 5                      | 0012 617                | SF-Schraube M8x16 (2 St.)   | screw M8x16 (2 pieces)   |
| 6                      | 3632 150                | Motorstütze                 | motor support            |
| 7                      | 0010 893                | SF-Schraube M6x12 (2 St.)   | screw M6x12 (2 pieces)   |
| 8                      | 1133 030                | Kondensator, 20 µF          | condenser, 20 µF         |
| 10                     | 3632 305                | Lüfter                      | fan                      |
| 11                     | 3632 035                | Zahnriemenscheibe           | crown gear               |
| 12                     | 0039 007                | Zahnriemen                  | toothed belt             |
| 13                     | 0010 403                | 6kt.-Schraube M8x25         | hex. screw M8x25         |
| 14                     | 3632 304                | Zahnriemenabdeckung         | cover                    |
| 15                     | 0012 633                | Torx-Schr. K50x20 (13 St.)  | screw K50x20 (13 pieces) |
| 16                     | 3632 326                | Luffführungshaube           | air conduction           |
| 17                     | 3634 301                | Motorhaube                  | motor cover              |
| 18                     | 0051 115                | "WOLF-Garten" - Marke       | "WOLF-Garten" - label    |
| 19                     | 3634 302                | Fronthaube                  | cap                      |
| 20                     | 3632 363                | Schutzklappe                | rear flap                |
| 21                     | 3634 136                | Prallschutz                 | baffle plate             |
| 22                     | 3632 315                | Abdeckung                   | cover                    |
| 23                     | 4961 312                | Stützschaale (4 St.)        | shell (4 pieces)         |
| 24                     | 3632 307                | Deckel                      | cover                    |
| 25                     | 0051 245                | Sicherheitsetikett/Pictogr. | safety label             |
| 26                     | 0015 820                | Blech-Schraube              | sheet metal screw        |
| 27                     | 0017 286                | Scheibe                     | washer                   |
| 28                     | 0012 625                | Torx-Schr.K40x16 (4 St.)    | screw K40x16 (4 pieces)  |
| 29                     | 3634 307                | Tragegriff                  | carrying handle          |
| 30                     | 0017 289                | Scheibe (2 St.)             | washer (2 pieces)        |
| 31                     | 0012 639                | PT-Schraube K60x30 (2 St.)  | screw K60x30 (2 pieces)  |
| ***                    | 0054 223                | Gebrauchsanweisung          | operator manual          |

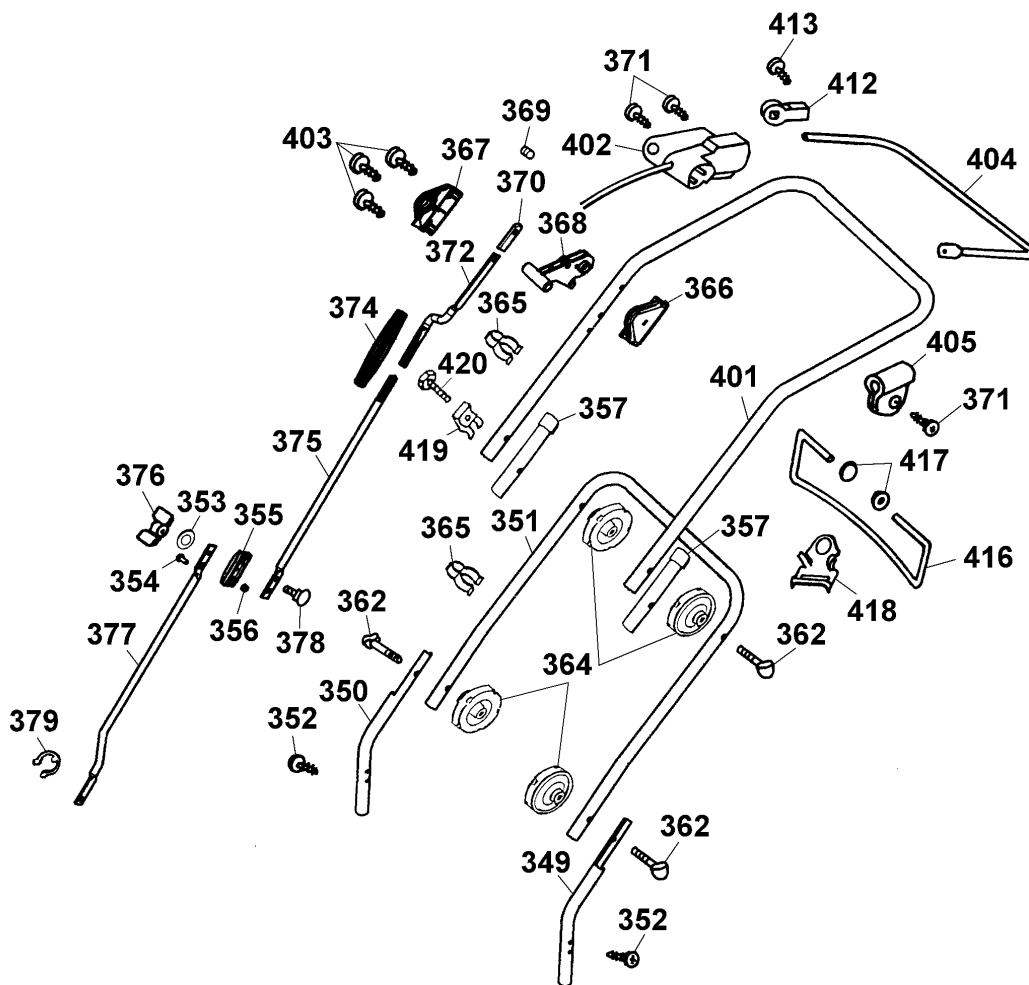
- Ⓓ UV 34 E, Serie A, Achse, Räder, Messerwalze
- ⒼⒷ UV 34 E, Series A, Axle, Wheels, Rotor



**UV 34 E, Serie A, Achse, Räder, Messerwalze**  
**UV 34 E, Series A, Axle, Wheels, Roller**

| Bild-Nr. /<br>Ref. No. | Best.-Nr. /<br>Part No. | Bezeichnung                             | Description                            |
|------------------------|-------------------------|---|--|
| 233                    | 3632 120                | Vertikutierwelle                        | shaft                                  |
| 234                    | 3634 306                | Distanzb., innen grau (15 St.)          | distance bush, gray (15 p.)            |
| 235                    | 3568 400                | Vertikutiermesser (16 Stück)            | blade (16 pieces)                      |
| ***                    | 3634 065                | Vertikutierwalze kpl.                   | rotor compl.                           |
| ***                    | 3568 081                | Messersatz UV - EV kpl.                 | UV-EV blade set compl.                 |
| 236                    | 0022 850                | Tellerfeder (2 Stück)                   | belleville spring washer (2 p.)        |
| 237                    | 3638 308                | Distanzbuchse, außen<br>rechts, schwarz | distance bush, outside<br>right, black |
| 238                    | 3568 509                | Wickelschutz (2 Stück)                  | cover (2 pieces)                       |
| 239                    | 3568 512                | Druckring (2 Stück)                     | ring (2 pieces)                        |
| 240                    | 3568 017                | Lagerschale (2 Stück)                   | bearing shell (2 pieces)               |
| 241                    | 0010 681                | 6kt.-Schraube (6 Stück)                 | hex. screw (6 pieces)                  |
| 242                    | 0023 148                | Kugellager (2 Stück)                    | bearing (2 pieces)                     |
| 243                    | 3632 406                | Distanzstück                            | spacer                                 |
| 244                    | 3576 407                | Mitnehmer                               | drive disk                             |
| 245                    | 3632 309                | Riemenscheibe                           | v-belt pulley                          |
| 246                    | 0010 892                | Schraube (2 Stück)                      | screw (2 pieces)                       |
| 248                    | 3634 010                | Achse, vorne                            | front axle                             |
| 249                    | 3632 012                | Achse, hinten                           | rear axle                              |
| 250                    | 0017 112                | Scheibe (6 Stück)                       | washer (6 pieces)                      |
| 251                    | 6340 051                | Rad Ø 200 mm (4 Stück)                  | wheel 200 mm dia. (4 piec.)            |
| 252                    | 0020 698                | Schnellbefestiger (4 Stück)             | speedfix retainer (4 pieces)           |
| 253                    | 6450 530                | Radkappe Ø 200 mm (4 St.)               | hub cap 200 mm dia. (4 p.)             |
| 254                    | 3632 330                | Gummiabstreifer                         | rubber edge                            |

- Ⓛ UV 34 E, Serie A, Griffgestänge, Höhenverstellung
- Ⓛ UV 34 E, Series A, Handlebar, Height-adjustment



**UV 34 E Griffgestänge, Höhenverstellung**  
**UV 34 E Handlebar, Height-adjustment**

| Bild-Nr. /<br>Ref. No. | Best.-Nr. /<br>Part No. | Bezeichnung                | Description              |
|------------------------|-------------------------|----------------------------|--------------------------|
| 349                    | 3634 130                | Rohrstück, links           | handlebar holder, left   |
| 350                    | 3634 132                | Rohrstück rechts           | handlebar holder, right  |
| 351                    | 3634 134                | Griffunterteil             | lower handlebar          |
| 352                    | 0015 660                | Blechschraube 8x22 (2 St.) | sheet metal screw (2 p.) |
| 353                    | 0017 290                | Scheibe                    | washer                   |
| 354                    | 0012 864                | Linsenschraube             | oval head screw          |
| 355                    | 3638 312                | Verbindungsstück           | connecting part          |
| 356                    | 0016 310                | 6kt.-Mutter                | hexagon nut              |
| 357                    | 6340 125                | Verschlusskappe (2 St.)    | sleeve (2 pieces)        |
| 362                    | 4901 101                | Verbindungsschr. M8x55     | connecting screw M8x55   |
| 364                    | 4936 022                | Handrad (4 St.)            | handwheel (4 pieces)     |
| 365                    | 4950 307                | Kabelschelle (2 St.)       | cable clip (2 pieces)    |
| 366                    | 3632 323                | Stellgehäuse, links        | case, left               |
| 367                    | 3632 322                | Stellgehäuse, rechts       | case, right              |
| 368                    | 3632 318                | Verstellhebel              | adjusting lever          |
| 369                    | 3568 213                | Rastbolzen                 | bolt                     |
| 370                    | 3634 340                | Isolierhülse               | insulating shell         |
| 371                    | 0012 625                | Torxschr. K40x16 (3St.)    | screw (3 pieces)         |
| 372                    | 3634 146                | Verbindungsstange, oben    | connecting rod, upper    |
| 374                    | 3638 311                | Verstellmutter             | height adjusting nut     |
| 375                    | 3634 148                | Verbindungsstange, mitte   | connecting rod, middle   |
| 376                    | 3568 308                | Flügelmutter M 6           | wing nut M 6             |
| 377                    | 3634 152                | Verbindungsstange, unten   | connecting rod, lower    |
| 378                    | 0013 632                | Flachrundschr. M 6x25      | screw M 6x25             |
| 379                    | 0022 410                | Sicherungsscheibe          | circlip                  |
| 401                    | 3634 021                | Griffoberteil              | upper handlebar          |
| 402                    | 3634 060                | Schalter                   | switch                   |
| 403                    | 0012 883                | PT-Schr. KA 40x22 (3 St.)  | screw, KA 40x22 (3 p.)   |

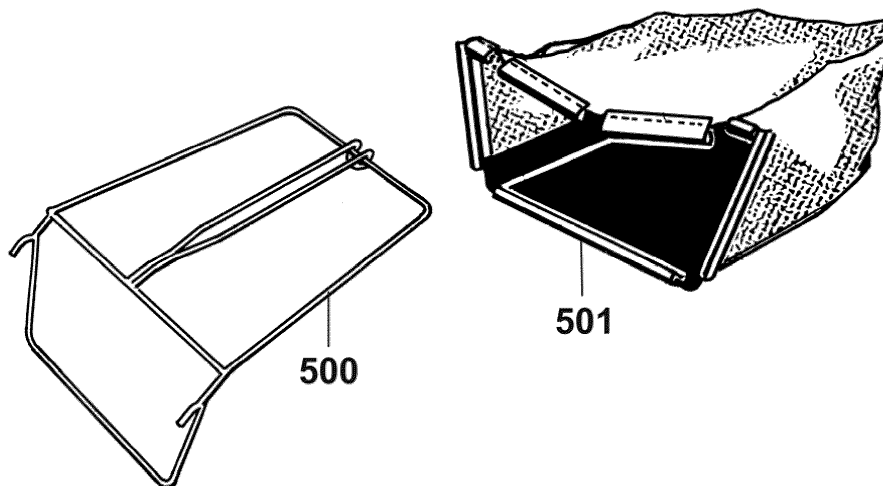
**UV 34 E Griffgestänge, Höhenverstellung**  
**UV 34 E Handlebar, Height-adjustment**

| <b>Bild-Nr. /<br/>Ref. No.</b> | <b>Best.-Nr. /<br/>Part No.</b> | <b>Bezeichnung</b>  | <b>Description</b>    |
|--------------------------------|---------------------------------|---------------------|-----------------------|
| 404                            | 4317 014                        | Schaltbügel         | bail arm switch       |
| 405                            | 4935 105                        | Schelle             | clamp                 |
| 412                            | 4940 105                        | Lager               | bearing               |
| 413                            | 0015 652                        | Schraube            | screw                 |
| 416                            | 3585 100                        | "Flick-Flack" Bügel | "Flick-Flack" shackle |
| 417                            | 3585 503                        | Hutclips (2 St.)    | retainer (2 pieces)   |
| 418                            | 4936 323                        | Zugentlastung       | cable guide           |
| 419                            | 4950 308                        | Knickschutz         | antikink              |
| 420                            | 0010 338                        | 6kt.-Schraube M8x55 | hex. screw M8x55      |



Ⓓ TK-VV Fangsack kpl. 3632 060

ⒼⒷ TK-VV Grass collector compl. 3632 060



| Bild-Nr. /<br>Ref. No. | Best.-Nr. /<br>Part No. | Bezeichnung      | Description           |
|------------------------|-------------------------|------------------|-----------------------|
| 500                    | 3632 016                | Fangsackgestell  | catcher frame         |
| 501                    | 3632 320                | Gewebetuch       | repl. catcher cloth   |
| ***                    | 3632 200                | Montageanleitung | assembly instructions |