

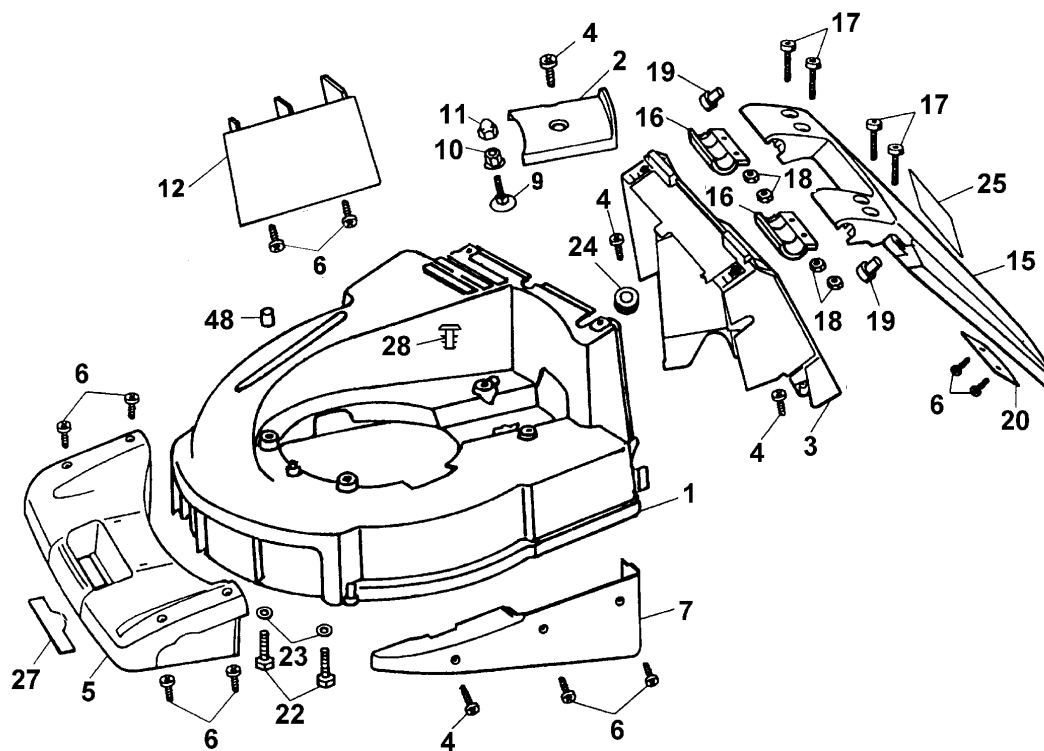
## Concept 43 K "KIR", Serie A / Series A

### Ausstattung Benzinmäher / Equipment Petrol-mowers

|   |  |
|---|--|
| Typ / Kurzbez. / order code   | Concept 43 K "KIR"   |
| Ausführung für / version for  | International  |
| Geräte - Nr. / article number   | 6666017  |
| Schnittbreite / cutting width   | 43 cm  |
| Chassismaterial / chassis   | Aluminium  |
| Gewicht / weight  | 29 kg  |
| Lautstärke / noise level  | 96 dB (A) - 93 dB (A)  |
| Ø Rad vorne / front wheel diameter  | 17 cm  |
| Ø Rad hinten / rear wheel diameter  | 20 cm  |
| Ausführung Räder / version wheels   | Soft, Kugellager / soft, ball bearing  |
| Höhenverstellung / height adjustment  | zentral 6-fach / central, six-fold   |
| Schnitthöhe / cutting height  | 2,0 cm - 8,0 cm  |
| Antrieb / power drive   | nein / no  |
| Motor - Hersteller / motor producer   | Kawasaki   |
| Motor-Modell / motor-type   | FC 150 V   |
| Spezifikation / specification   | S 66   |
| Motor - Nr. WOLF / motor-number   | 2090065  |
| Nennleistung / nominal capacity   | 3,1 kW (4,2 PS)  |
| Zündkerze / spark plug  | NGK BPR 5 ES, Art.-Nr. / part no. 2095306  |
| Griffgestänge / handlebar   | Klappgriff, höhenverstellbar, Holmstart / folding handlebar, height adjustable, bar start    |
| Fangkorb / collector box  | 60 L, Füllstandsanzeige / grass box fill indicator<br>Artikel-Nr. 6450072 / part no. 6450072 |
| <u>Drehmomente Chassis / torque settings,<br/>chassis fasteners:</u>                  |  |
| Achsbefest. (Lagerschale vorne/hinten) /<br>axle fastening (bearing shell front/rear) | 2-3 Nm   |
| Radbefestigung / wheel fastening  | 10 Nm  |
| Stützhebel für Getriebe /<br>support lever for gear                                   | 4-5 Nm   |
| Windkanaleinlage - Chassis /<br>wind tunnel insert - chassis                          | 3,4 Nm   |
| Stehbolzen - Motorkonsole /<br>stud bolt - motor console                              | 18 Nm  |
| Alukulisse - Gestellrohr /<br>aluminium - frame                                       | 3-4 Nm   |
| Motor an Motorträger /<br>motor to motor support                                      | 18 Nm  |
| Messer kpl. an Motorwelle /<br>cutter bar to crankshaft                               | 38-42 Nm   |
| Keilriemenabdeckung / v-belt cover  | 5 Nm   |

Ⓓ Concept 43 K "KIR", Serie A, Chassis

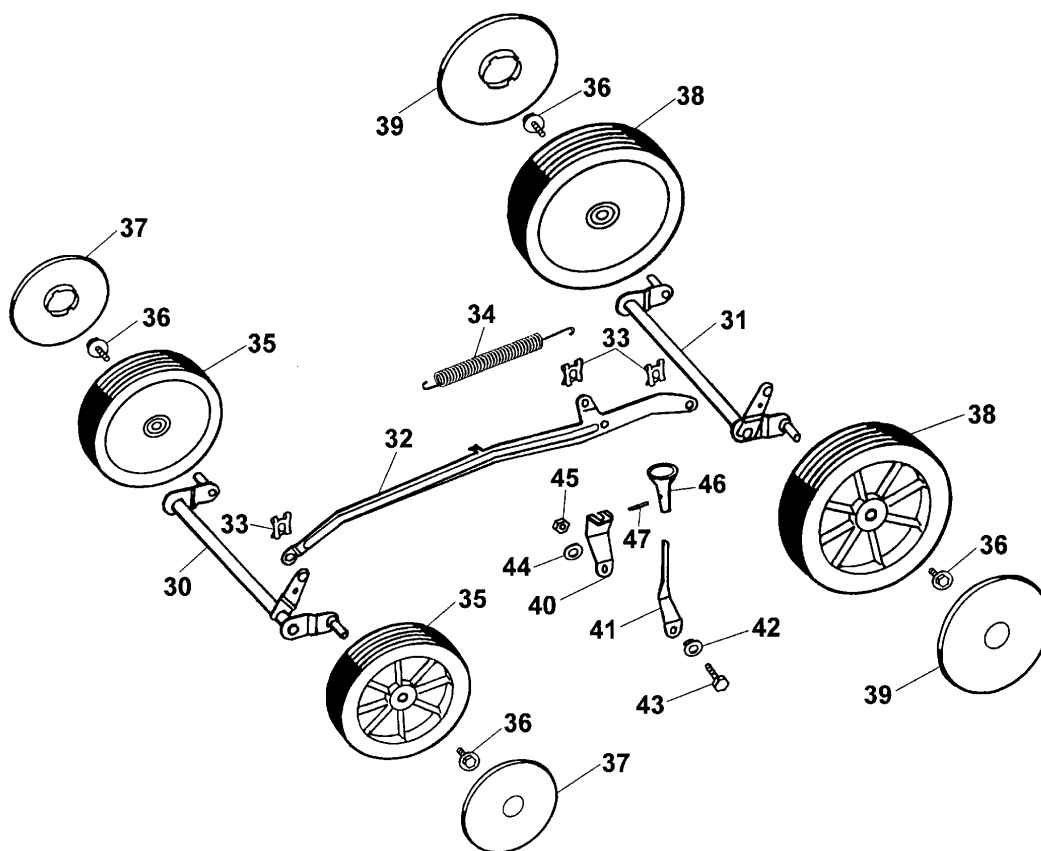
ⒼⒷ Concept 43 K "KIR", Series A, Chassis



## Concept 43 K "KIR" Chassis

| Bild-Nr. /<br>Ref. No. | Best.-Nr. /<br>Part No. | Bezeichnung                                  | Description                                   |
|------------------------|-------------------------|--|---|
| 1                      | 4345 974                | Chassis                                      | chassis                                       |
| 2                      | 6450 307                | Keilriemenabdeckung                          | v-belt cover                                  |
| 3                      | 6450 340                | Heckteil                                     | deflector                                     |
| 4                      | 0012 607                | SF-Schraube M5x20 (4 St¼ck)                  | screw M5x20 (4 pieces)                        |
| 5                      | 6450 302                | Frontverkleidung                             | front panel                                   |
| 6                      | 0012 605                | SF-Schraube M5x12 (10 St.)                   | screw M5x12 (10 pieces)                       |
| 7                      | 6450 304                | Seitenteil, links                            | cover, left                                   |
| 9                      | 0013 650                | Flachrundschrabe M8x16                       | screw M8x16                                   |
| 10                     | 0016 385                | 6kt.-Mutter M8                               | hex. nut M8                                   |
| 11                     | 6340 126                | Verschlusskappe M8                           | closing cap M8                                |
| 12                     | 4350 303                | Kanaleinlage                                 | wind tunnel insert                            |
| 15                     | 6450 911                | Heckklappe kpl. incl.<br>Bild-Nr. 6,19,20,25 | rear flap compl. incl. ref.<br>no. 6,19,20,25 |
| 16                     | 6450 311                | Schelle (2 St.)                              | clamp (2 pieces)                              |
| 17                     | 0012 825                | Torx-Schraube M5x40 (4 St.)                  | screw M5x40 (4 pieces)                        |
| 18                     | 0016 210                | 6kt.-Mutter M5 (4 St.)                       | hex. nut M5 (4 pieces)                        |
| 19                     | 6450 316                | Gummipuffer (2 St.)                          | rubber buffer (2 pieces)                      |
| 20                     | 6450 149                | Gegengewicht                                 | balance weight                                |
| 22                     | 0010 399                | 6kt.-Schraube M8x30 (2 St.)                  | hex. screw M8x30 (2 p.)                       |
| 23                     | 0017 123                | Scheibe A 8,4 (2 St.)                        | washer A 8,4 (2 pieces)                       |
| 24                     | 6450 314                | Gummit¼lle                                   | rubber funnel                                 |
| 25                     | 0051 246                | Sicherheitsetikett                           | safety label                                  |
| 27                     | 0051 115                | WOLF-Garten Marke                            | "WOLF-Garten" brand                           |
| 28                     | 4332 307                | Lamellen-Stopfen                             | cellular rubber                               |

- Ⓓ Concept 43 K "KIR", Serie A, Achse, Räder, Höhenverstellung
- ⒼⒷ Concept 43 K "KIR", Series A, Axle, Wheels, Height-adjustment

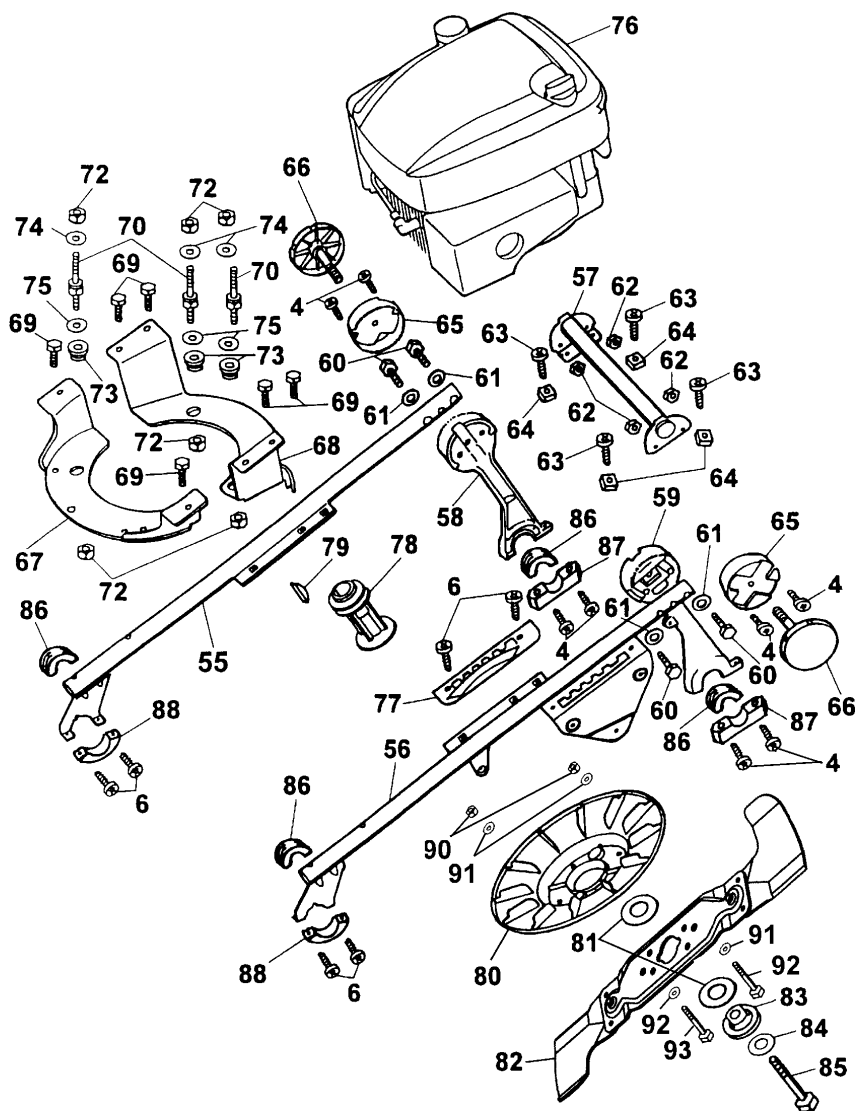


**Concept 43 K "KIR" Achse, Räder, Höhenverstellung**  
**Concept 43 K "KIR" Axle, Wheels, Height-adjustment**

| <b>Bild-Nr. /<br/>Ref. No.</b> | <b>Best.-Nr. /<br/>Part No.</b> | <b>Bezeichnung</b>        | <b>Description</b>         |
|--------------------------------|---------------------------------|---------------------------|----------------------------|
| 30                             | 6450 016                        | Achse, vorne              | front axle                 |
| 31                             | 6450 022                        | Achse, hinten             | rear axle                  |
| 32                             | 6450 020                        | Verbindungsstange         | connecting rod             |
| 33                             | 0020 983                        | SL-Sicherung (3 St.)      | circlip (3 pieces)         |
| 34                             | 6450 139                        | Zugfeder                  | tension spring             |
| 35                             | 6440 050                        | Rad Ø 170 mm (2 St.)      | wheel, 170mm dia. (2 p.)   |
| 36                             | 0010 893                        | SF-Schraube M6x12 (4 St.) | screw M6x12 (4 pieces)     |
| 37                             | 6450 520                        | Deckel Ø 170 mm (2 St.)   | hub cap 170 mm dia. (2 p.) |
| 38                             | 6440 051                        | Rad Ø 200 mm (2 St.)      | wheel, 200 mm dia. (2 p.)  |
| 39                             | 6450 530                        | Deckel Ø 200 mm (2 St.)   | hub cap 200 mm dia. (2 p.) |
| 40                             | 6450 134                        | Verstellhebel             | adjusting lever            |
| 41                             | 6450 132                        | Federhebel                | lever                      |
| 42                             | 6450 146                        | Lagerbuchse               | bush                       |
| 43                             | 0010 377                        | 6kt.-Schraube M6x20       | hex. screw M6x20           |
| 44                             | 0017 289                        | Scheibe A6                | washer A6 (2 pieces)       |
| 45                             | 0016 311                        | 6kt.-Mutter               | hex. nut M6 (2 pieces)     |
| 46                             | 6450 313                        | Höhenverstellknopf        | height adjusting knob      |
| 47                             | 0018 813                        | Spannstift 3x20           | dowel pin 3x20             |

**D** Concept 43 K "KIR", Serie A, Motor, Gestell, Messer

**GB** Concept 43 K "KIR", Series A, Motor, Frame, Blade



**Concept 43 K "KIR" Motor, Gestell, Messer**  
**Concept 43 K "KIR" Motor, Frame, Blade**

| Bild-Nr. /<br>Ref. No. | Best.-Nr. /<br>Part No. | Bezeichnung                 | Description                |
|------------------------|-------------------------|-----------------------------|----------------------------|
| 4                      | 0012 607                | SF-Schraube M5x20 (8 St.)   | screw M 5x20 (8 piec.)     |
| 6                      | 0012 605                | SF-Schraube M5x12 (6 St.)   | screw 5x12 (6 pieces)      |
| 55                     | 6450 010                | Gestell, rechts             | frame, right               |
| 56                     | 6450 012                | Gestell, links              | frame, left                |
| 57                     | 6450 014                | Rohrtraverse                | pipe                       |
| 58                     | 6450 100                | Griffhalter, rechts         | handlebar holder, right    |
| 59                     | 6450 102                | Griffhalter, links          | handlebar holder, left     |
| 60                     | 0010 313                | 6kt.-Schraube M6x45 (4 St.) | hex. screw M6x45 (4 p.)    |
| 61                     | 6150 182                | Scheibe 6,4 (4 St.)         | dished washer 6,4 (4 p.)   |
| 62                     | 0016 311                | 6kt.-Mutter M6 (4 St.)      | hex. nut M6 (4 pieces)     |
| 63                     | 0012 831                | Torx-Schraube M6x15 (4 St.) | screw M6x15 (4 pieces)     |
| 64                     | 0016 405                | 4kt.-Mutter M6 (4 St.)      | square nut M6 (4 pieces)   |
| 65                     | 6450 188                | Stellkranz (2 St.)          | fixing case (2 pieces)     |
| 66                     | 4317 010                | Handrad (2 St.)             | handwheel (2 pieces)       |
| 67                     | 6450 112                | MotortrÄger, vorne         | motor support, front       |
| 68                     | 6450 114                | MotortrÄger, hinten        | motor support, back        |
| 69                     | 0010 386                | 6kt.-Schraube M6x12 (6 St.) | hex. screw M6x12 (6 p.)    |
| 70                     | 6450 170                | Stehbolzen, kurz (3 St.)    | stud bolt, short (3 piec.) |
| 72                     | 0016 312                | 6kt.-Mutter M8 (6 St.)      | hex. nut M 8 (6 pieces)    |
| 73                     | 6450 319                | Gummipuffer (3 St.)         | rubber buffer (3 pieces)   |
| 74                     | 6450 138                | Buchse (3 St.)              | bush (3 pieces)            |
| 75                     | 0017 291                | Scheibe A 8,4 (3 St.)       | washer A 8,4 (3 pieces)    |
| 76                     | 2090 065                | Motor kpl.                  | motor compl.               |
| 77                     | 6450 136                | Kulisse                     | crank                      |
| 78                     | 6450 141                | Kupplung                    | coupling                   |
| 79                     | 0029 130                | Scheibenfeder               | woodruff key               |
| 80                     | 6450 317                | Lüfterrad                   | fan                        |
| 81                     | 4005 403                | Kupplungsbelag (2 St.)      | clutch facing (2 pieces)   |

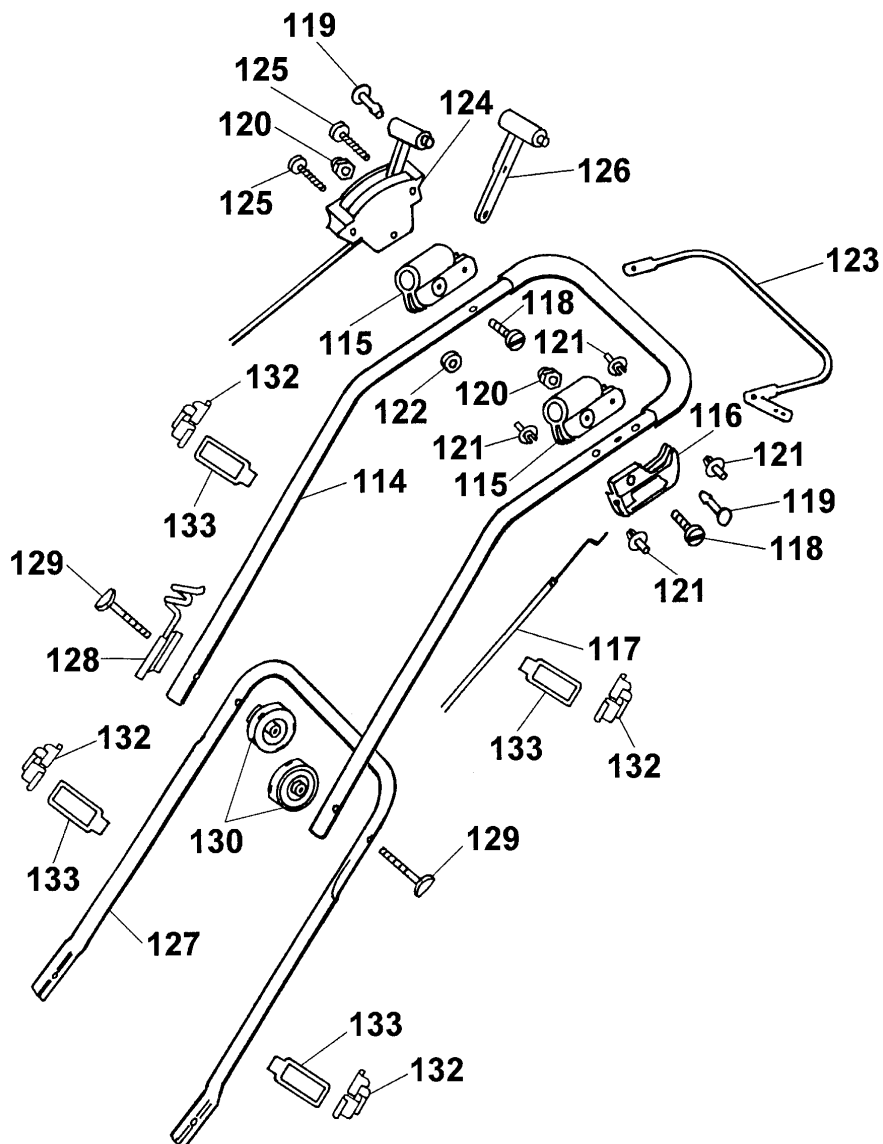
**Concept 43 K "KIR" Motor, Gestell, Messer**  
**Concept 43 K "KIR" Motor, Frame, Blade**

| <b>Bild-Nr. /<br/>Ref. No.</b> | <b>Best.-Nr. /<br/>Part No.</b> | <b>Bezeichnung</b>          | <b>Description</b>         |
|--------------------------------|---------------------------------|-----------------------------|----------------------------|
| 82                             | 4350 094                        | Messerbalken kpl. VI-W43    | cutter bar compl. VI-W43   |
| ***                            | 4350 040                        | Ersatzklingen VI-W (1 Paar) | repl. blades VI-W (1 pair) |
| 83                             | 4840 402                        | Kupplungsscheibe            | coupling disk              |
| 84                             | 0017 105                        | Spannscheibe                | spring washer              |
| 85                             | 0010 264                        | 6kt.-Schraube 3/8"          | hex. screw 3/8"            |
| 86                             | 6450 309                        | Lagerschale (4 St.)         | bearing shell (4 pieces)   |
| 87                             | 6430 323                        | Stützschale, hinten (2 St.) | shell, rear (2 pieces)     |
| 88                             | 6450 305                        | Stützschale, vorne (2 St.)  | shell, front (2 pieces)    |
| 90                             | 0016 311                        | 6kt.-Mutter (2 St.)         | hex. nut M6 (2 pieces)     |
| 91                             | 0017 110                        | Scheibe 6,4x25x2 (2 St.)    | washer 6,4x25x2 (2 piec.)  |
| 92                             | 0017 289                        | Scheibe A 6,4x18 (2 St.)    | washer A 6,4x18 (2 piec.)  |
| 93                             | 0010 365                        | 6kt.-Schraube (2 St.)       | hex. screw (2 pieces)      |



**D** Concept 43 K "KIR", Serie A, Griff kpl.

**GB** Concept 43 K "KIR", Series A, Handlebar compl.

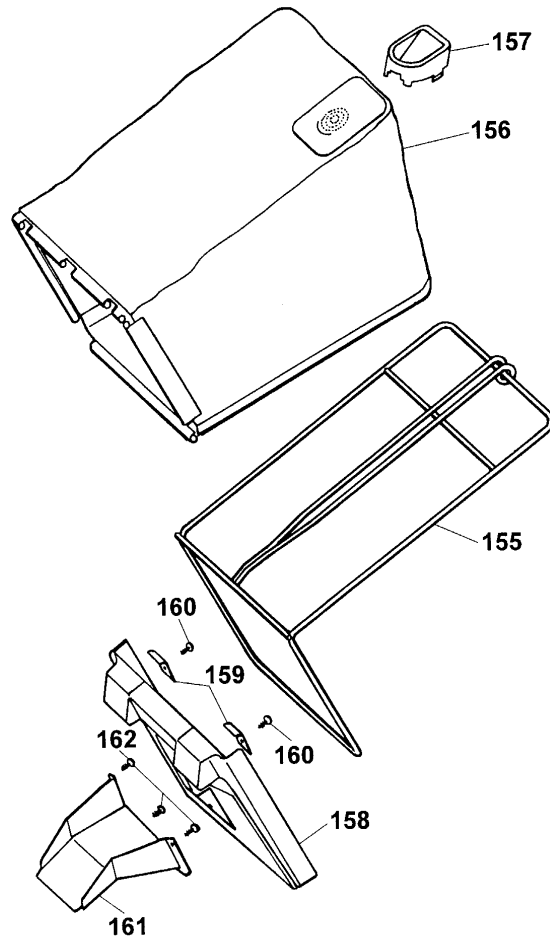


**Concept 43 K "KIR" Griff kpl.  
Concept 43 K "KIR" Handlebar compl.**

| <b>Bild-Nr. /<br/>Ref. No.</b> | <b>Best.-Nr. /<br/>Part No.</b> | <b>Bezeichnung</b>                  | <b>Description</b>            |
|--------------------------------|---------------------------------|-------------------------------------|-------------------------------|
| 114                            | 6450 923                        | Griffoberteil m. Softschlauch       | upper handlebar               |
| 115                            | 4720 105                        | Schelle (2 St.)                     | clamp (2 pieces)              |
| 116                            | 4760 106                        | Stütze                              | support                       |
| 117                            | 4880 059                        | Bowdenzug, Bremse                   | bowden wire, brake            |
| 118                            | 0012 211                        | Zylinderschraube M6x25 (2 St.)      | screw M6x25 (2 pieces)        |
| 119                            | 4720 109                        | Bolzen (2 St.)                      | bolt (2 pieces)               |
| 120                            | 0016 641                        | Hutmutter M6-5 (2 St.)              | nut M6-5 (2 pieces)           |
| 121                            | 6430 316                        | Spreizniet (4 St.)                  | body-bound rivet (4 piec.)    |
| 122                            | 4240 205                        | Distanzscheibe                      | washer                        |
| 123                            | 6430 010                        | Bremshebel                          | brake lever                   |
| 124                            | 4355 055                        | Schaltgehäuse mit<br>Bowdenzug, Gas | case with bowden wire,<br>gas |
| 125                            | 0012 886                        | PT-Schraube KA60x30 (2 St.)         | screw KA 60x30 (2 piec.)      |
| 126                            | 4722 040                        | Verstellhebel                       | adjusting lever               |
| 127                            | 4317 122                        | Griffunterteil                      | lower handlebar               |
| 128                            | 6340 014                        | Seilführung                         | routing                       |
| 129                            | 4901 101                        | Verbindungsschr. M8x55 (2 St.)      | binding screw M8x55 (2 p.)    |
| 130                            | 4936 022                        | Handrad (2 St.)                     | handwheel (2 pieces)          |
| 132                            | 6340 312                        | Klammer (4 St.)                     | clip (2 pieces)               |
| 133                            | 6340 314                        | Schlaufe (4 St.)                    | strap (2 pieces)              |
| ***                            | 0054 343                        | Gebrauchsanweisung                  | operator manual               |

**D** Fangeinrichtung kpl. 6450 072

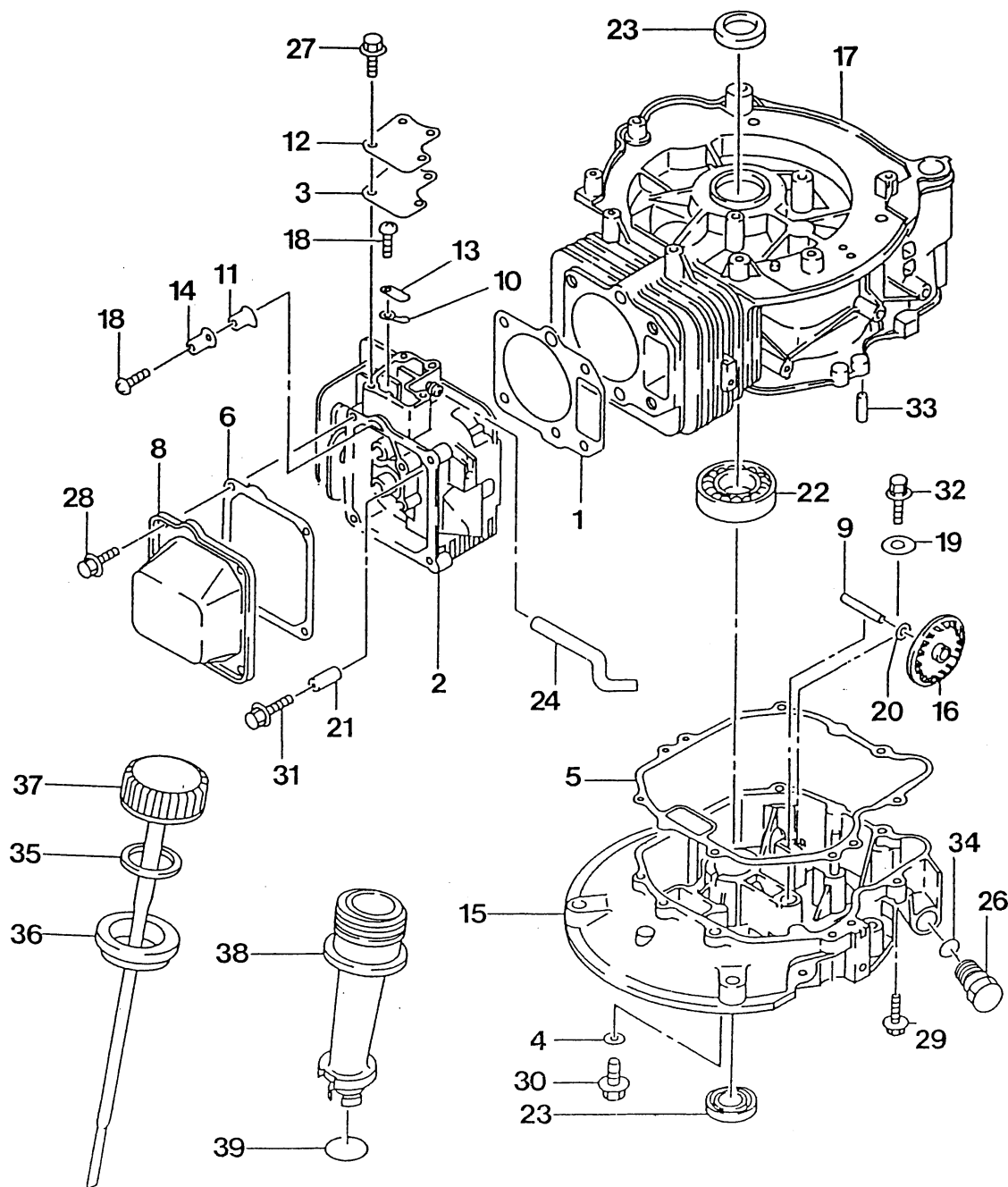
**GB** Grass collector compl. 6450 072



| Bild-Nr. /<br>Ref. No. | Best.-Nr. /<br>Part No. | Bezeichnung           | Description            |
|------------------------|-------------------------|-----------------------|------------------------|
| 155                    | 6450 064                | Fangsackgestell       | catcher frame          |
| 156                    | 6450 320                | Fangsacktuch          | catcher cloth          |
| 157                    | 4880 061                | Fllstandsanzeige     | fill indicator         |
| 158                    | 6450 308                | Mundstck             | opening                |
| 159                    | 6450 145                | Scharnier (2x)        | hinge                  |
| 160                    | 0012 890                | Schraube 60x18 (2x)   | screw 60x18 (2x)       |
| 161                    | 6450 322                | Schtte               | chute                  |
| 162                    | 0012 630                | Torx-Schr. 50x16 (3x) | screw 50x16 (3x)       |
| ***                    | 6450 072                | Fangeinrichtung kpl.  | grass collector compl. |

**FC 150 V - #S 66 KurbelgehÄuse, Ölwanne**

**FC 150 V - #S 66 cylinder assembly, sump bases**



**FC 150 V - #S 66 KurbelgehÄuse, Ölwanne**  
**FC 150 V - #S 66 Cylinder assembly, Sump bases**

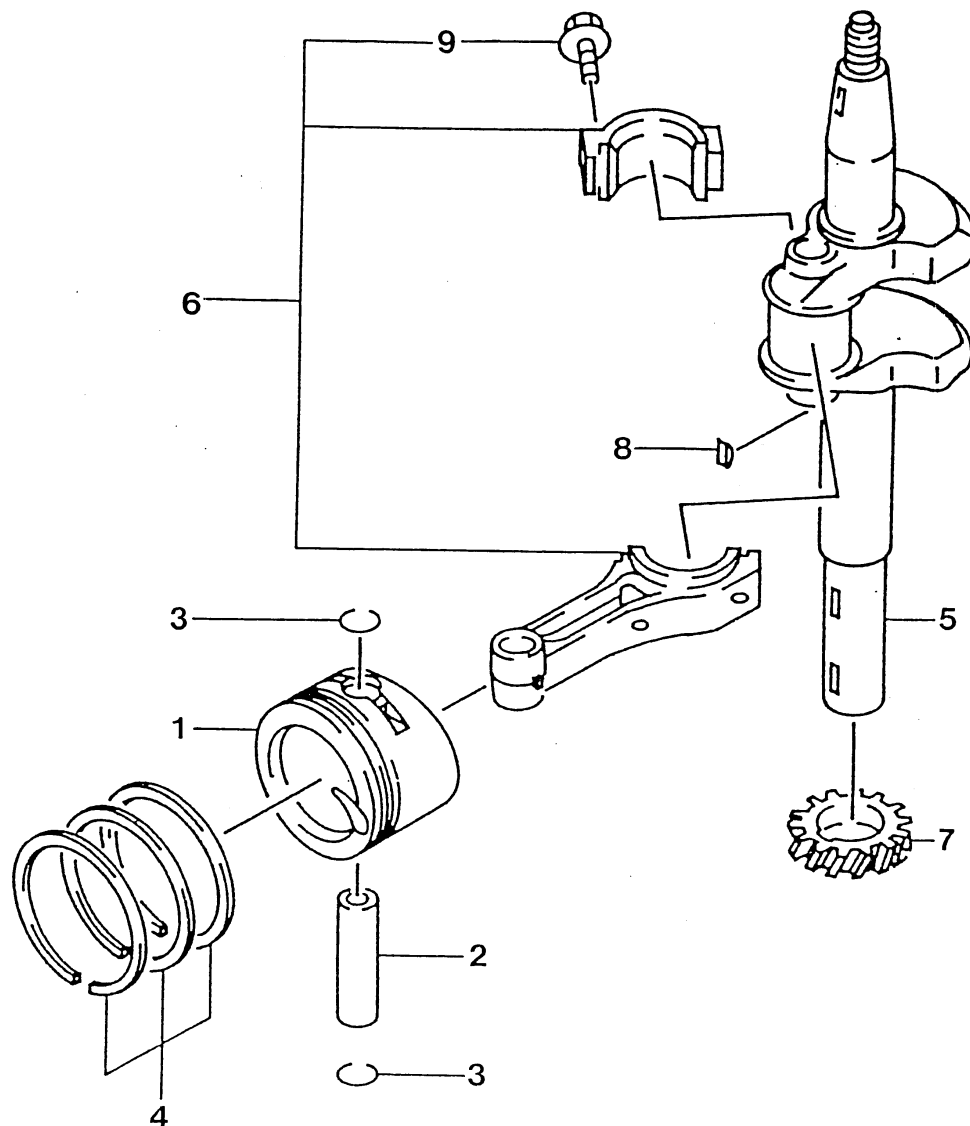
| Bild-Nr. /<br>Ref. No. | Best.-Nr. /<br>Part No. | Bezeichnung        | Description            | Part No.<br>Kawasaki |
|------------------------|-------------------------|--------------------|------------------------|----------------------|
| 1                      | 2090 101                | Zylinderkopfdicht. | gasket-head            | 11004-2099           |
| 2                      | 2090 100                | Zylinderkopf       | cylinder head          | 11008-6023           |
| 3                      | 2090 147                | Dichtung           | gasket-cover           | 11060-2007           |
| 4                      | 2090 103                | Scheibe            | gasket                 | 11009-2747           |
| 5                      | 2090 148                | Dichtung           | gasket-crankcase cover | 11060-2011           |
| 6                      | 2090 105                | Dichtung-Deckel    | gasket-rocker case     | 11009-2848           |
| 8                      | 2090 107                | Ventildeckel       | case-rocker            | 11022-2057           |
| 9                      | 2090 202                | Welle              | shaft                  | 13107-2202           |
| 10                     | 2096 522                | Platte             | plate                  | 13270-2049           |
| 11                     | 2096 523                | Platte             | plate                  | 13270-2050           |
| 12                     | 2090 110                | Deckel             | cover                  | 14090-2087           |
| 13                     | 2096 533                | Ventil             | valve                  | 16126-2201           |
| 14                     | 2096 534                | Ventil             | valve                  | 16126-2202           |
| 15                     | 2096 548                | Ölwanne            | cover-crankcase        | 49015-6139           |
| 16                     | 2090 203                | Schleuderrad       | slinger-oil            | 49073-2055           |
| 17                     | 2096 551                | Zylinder           | crankcase-comp         | 49120-2240           |
| 18                     | 2090 230                | Schraube           | screw                  | 92009-2166           |
| 19                     | 2090 231                | Scheibe            | washer                 | 92200-2033           |
| 20                     | 2090 232                | Scheibe            | washer                 | 92200-2034           |
| 21                     | 2090 113                | Hülse              | pin                    | 92043-1264           |
| 22                     | 2090 233                | Kugellager         | bearing-ball           | 601 B-6205           |
| 23                     | 2090 234                | Simmerring         | seal-oil               | 92049-2208           |
| 24                     | 2090 114                | Schlauch           | tube                   | 92059-2256           |
| 26                     | 2090 223                | Ölablaßschraube    | plug                   | 92066-2176           |
| 27                     | 2090 115                | Schraube           | screw                  | 130 B-0510           |
| 28                     | 2090 116                | Schraube           | screw                  | 130 B-0612           |
| 29                     | 2090 224                | Schraube           | screw                  | 130 G-0625           |
| 30                     | 2090 213                | Schraube           | screw                  | 130 G-0812           |

**FC 150 V - #S 66 KurbelgehÄuse, Ölwanne**  
**FC 150 V - #S 66 Cylinder assembly, Sump bases**

| Bild-Nr. /<br>Ref. No. | Best.-Nr. /<br>Part No. | Bezeichnung   | Description      | Part No.<br>Kawasaki |
|------------------------|-------------------------|---------------|------------------|----------------------|
| 31                     | 2090 117                | Schraube      | screw            | 130 G-0845           |
| 32                     | 2090 214                | Schraube      | screw            | 187 B-0510           |
| 33                     | 2090 215                | Stift         | pin              | 551 A-0612           |
| 34                     | 2090 216                | O-Ring        | o-ring           | 670 D-2015           |
| 35                     | 2090 217                | Dichtung      | gasket-oil gauge | 11009-2346           |
| 36                     | 2090 218                | Führung       | guide            | 13070-2078           |
| 37                     | 2090 219                | Meßstab       | gauge            | 52005-2106           |
| 38                     | 2090 220                | Öleinfüllrohr | filler           | 59231-2071           |
| 39                     | 2090 221                | O-Ring        | o-ring           | 670 D-2016           |

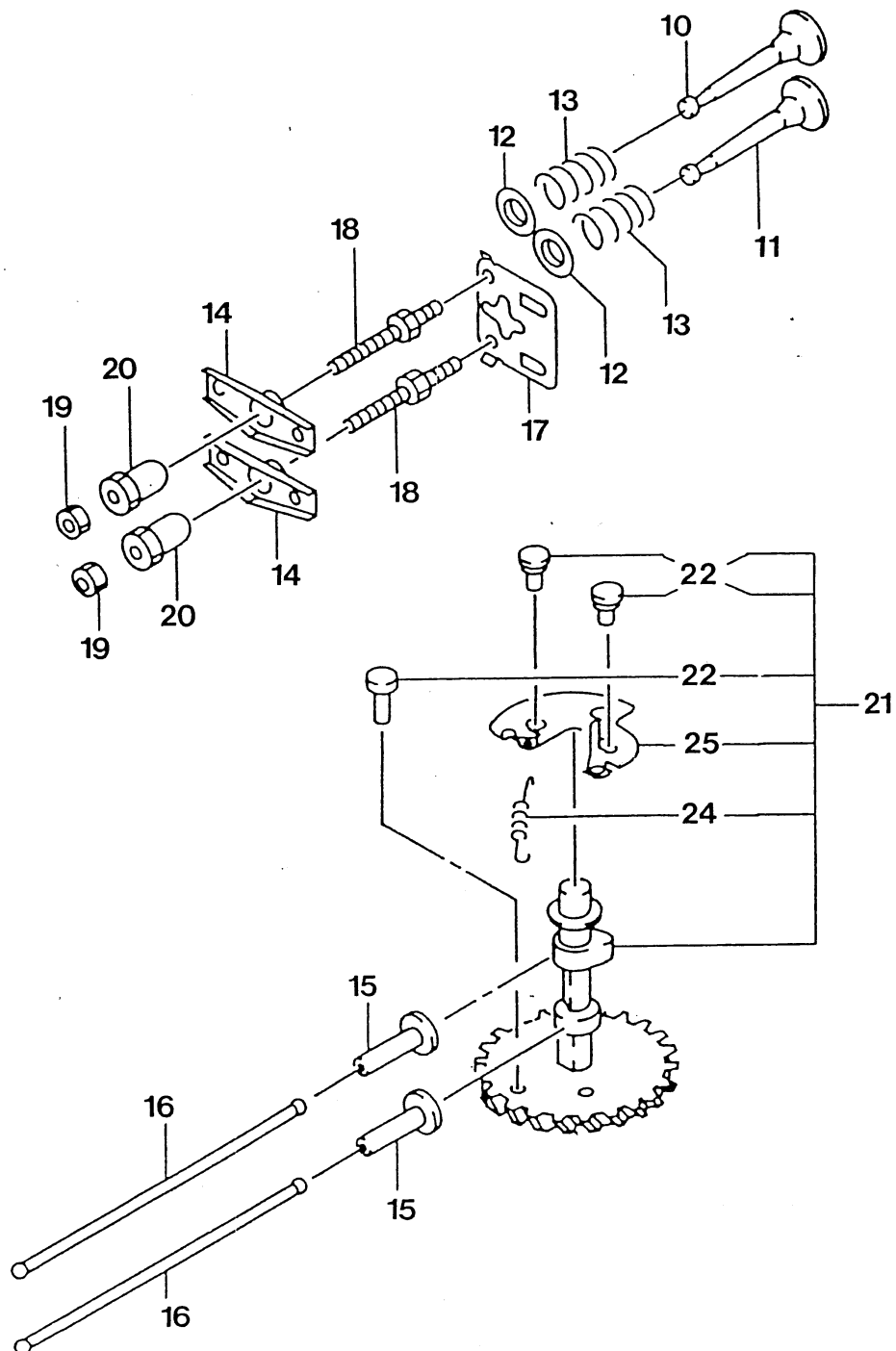
**FC 150 V - #S 66 Kurbelwelle, Kolben, Pleuel, Ventile**

**FC 150 V - #S 66 crankshaft, spiston, connecting rod, valve**



**FC 150 V - #S 66 Kurbelwelle, Kolben, Pleuel, Ventile**

**FC 150 V - #S 66 crankshaft, spiston, connecting rod, valve**



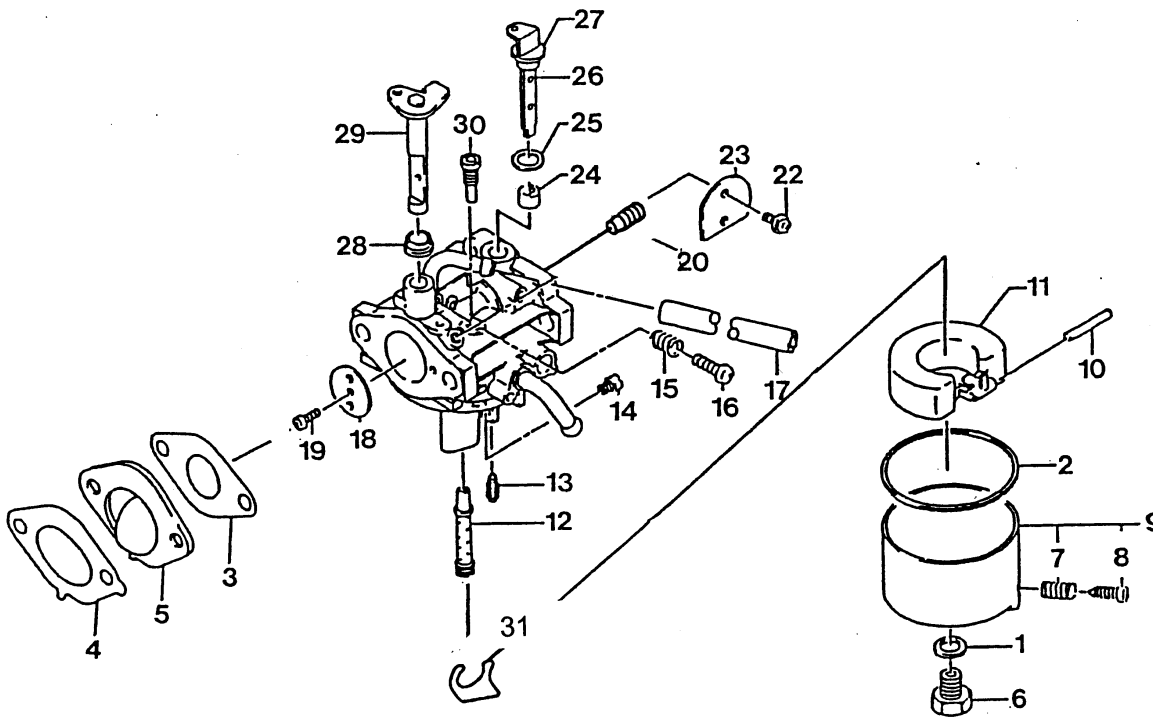


**FC 150 V - #S 66 Kurbelwelle, Kolben, Pleuel, Ventile**  
**FC 150 V - #S 66 Crankshaft, Piston, Con-rod, Valves**

| <b>Bild-Nr. /<br/>Ref. No.</b> | <b>Best.-Nr. /<br/>Part No.</b> | <b>Bezeichnung</b> | <b>Description</b>    | <b>Part No.<br/>Kawasaki</b> |
|--------------------------------|---------------------------------|--------------------|-----------------------|------------------------------|
| 1                              | 2090 118                        | Kolben             | piston assembly       | 13001-2109                   |
| 2                              | 2090 122                        | Bolzen             | pin-piston            | 13002-2074                   |
| 3                              | 2090 123                        | Sicherung          | ring-snap             | 92033-2161                   |
| 4                              | 2096 512                        | Kolbenringe        | ring-set piston       | 13008-6030                   |
| 5                              | 2096 518                        | Kurbelwelle        | crankshaft            | 13037-2453                   |
| 6                              | 2090 051                        | Pleuelstange kpl.  | rod-assy-connecting   | 13251-6025                   |
| 7                              | 2090 128                        | Zahnrad            | gear-helical          | 59056-2726                   |
| 8                              | 2090 129                        | Keil               | key                   | 92038-2093                   |
| 9                              | 2090 130                        | Schraube           | screw                 | 92150-2122                   |
| 10                             | 2090 131                        | Ventil-Einla      | valve-intake          | 12004-2090                   |
| 11                             | 2090 132                        | Ventil-Ausla      | valve-exhaust         | 12005-2074                   |
| 12                             | 2096 510                        | Ventilteller       | retainer-valve spring | 12009-2068                   |
| 13                             | 2090 250                        | Ventilfeder        | spring-engine valve   | 49078-2073                   |
| 14                             | 2096 511                        | Hebel              | arm-rocker            | 12016-2062                   |
| 15                             | 2090 136                        | Ventilstoel       | tappet                | 12032-2065                   |
| 16                             | 2090 137                        | Ventilwelle        | rod-push              | 13116-2065                   |
| 17                             | 2090 138                        | Fhrung            | guide                 | 13070-2072                   |
| 18                             | 2090 139                        | Einstellschraube   | bolt                  | 92150-2102                   |
| 19                             | 2090 140                        | Mutter             | nut                   | 92015-2240                   |
| 20                             | 2090 141                        | Mutter             | nut                   | 92015-2253                   |
| 21                             | 2090 063                        | Nockenwelle        | camshaft-comp         | 49118-2118                   |
| 22                             | 2090 142                        | Stift              | pin                   | 92043-2168                   |
| 24                             | 2090 144                        | Feder              | spring                | 92081-2342                   |
| 25                             | 2096 536                        | Druckplatte        | decompressor          | 21118-2090                   |

**FC 150 V - #S 66 Vergaser**

**FC 150 V - #S 66 carburetor**

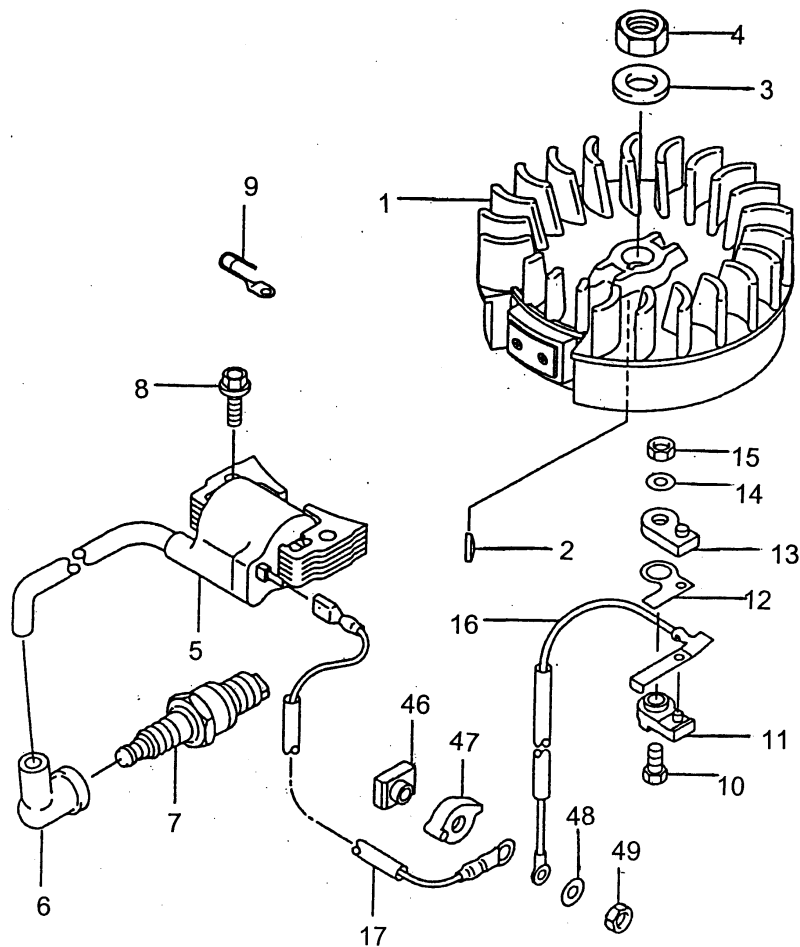


**FC 150 V - #S 66 Vergaser**  
**FC 150 V - #S 66 Carburetor**

| Bild-Nr. /<br>Ref. No. | Best.-Nr. /<br>Part No. | Bezeichnung         | Description    | Part No.<br>Kawasaki |
|------------------------|-------------------------|---------------------|----------------|----------------------|
| 1                      | 2096 501                | Dichtung            | gasket         | 11009-2036           |
| 2                      | 2096 502                | Dichtung            | gasket         | 11009-2037           |
| 3                      | 2095 450                | Dichtung            | gasket         | 11060-2010           |
| 4                      | 2095 451                | Dichtung            | gasket         | 11060-2012           |
| 5                      | 2090 242                | Isolator            | insulator      | 16073-2193           |
| 6                      | 2096 557                | Schraube            | screw          | 92002-2011           |
| 7                      | 2096 574                | Feder               | spring         | 92081-2009           |
| 8                      | 2096 559                | Ablaßschraube       | screw          | 92009-2015           |
| 9                      | 2096 528                | Schwimmer kpl.      | chamber-float  | 16020-2052           |
| 10                     | 2096 570                | Stift               | dowel pin      | 92043-2006           |
| 11                     | 2090 465                | Schwimmer           | float          | 16031-2058           |
| 12                     | 2096 552                | Düsenrohr           | nozzle-main    | 49121-2189           |
| 13                     | 2095 452                | Nadelventil         | valve-float    | 16030-2083           |
| 14                     | 2090 462                | Hauptdüse, 68,8     | jet-main, 68,8 | 92063-2096           |
| 15                     | 2096 574                | Feder               | spring         | 92081-2009           |
| 16                     | 2090 461                | Schraube            | screw          | 214 B-0412           |
| 17                     | 2096 581                | Schlauch            | tube           | 92190-2163           |
| 18                     | 2096 529                | Drosselklappe       | valve-throttle | 16025-2001           |
| 19                     | 2096 560                | Schraube            | screw          | 92009-2024           |
| 20                     | 2096 530                | Luftstelldüse, 0,9  | jet-air, 0,9   | 16035-2063           |
| 22                     | 2090 452                | Schraube            | screw          | 92009-2149           |
| 23                     | 2096 532                | Schokerklappe       | valve-choke    | 16126-2199           |
| 24                     | 2096 565                | Ring                | collar         | 92027-2003           |
| 25                     | 2096 577                | Dichtring           | seal           | 92093-2101           |
| 26                     | 2095 455                | Schokerwelle        | shaft-choke    | 16041-2197           |
| 27                     | 2096 566                | Ring                | collar         | 92027-2004           |
| 28                     | 2090 460                | Hülse               | collar         | 92143-2143           |
| 29                     | 2090 457                | Drosselklappenwelle | shaft-throttle | 16041-2178           |
| 30                     | 2096 572                | Leerlaufdüse, 45    | jet-pilot, 45  | 92064-2002           |
| 31                     | 2096 567                | Schnapping          | ring-snap      | 92033-2067           |
| ***                    | 2096 527                | Vergaser kpl.       | carburetor     | 15003-22364          |

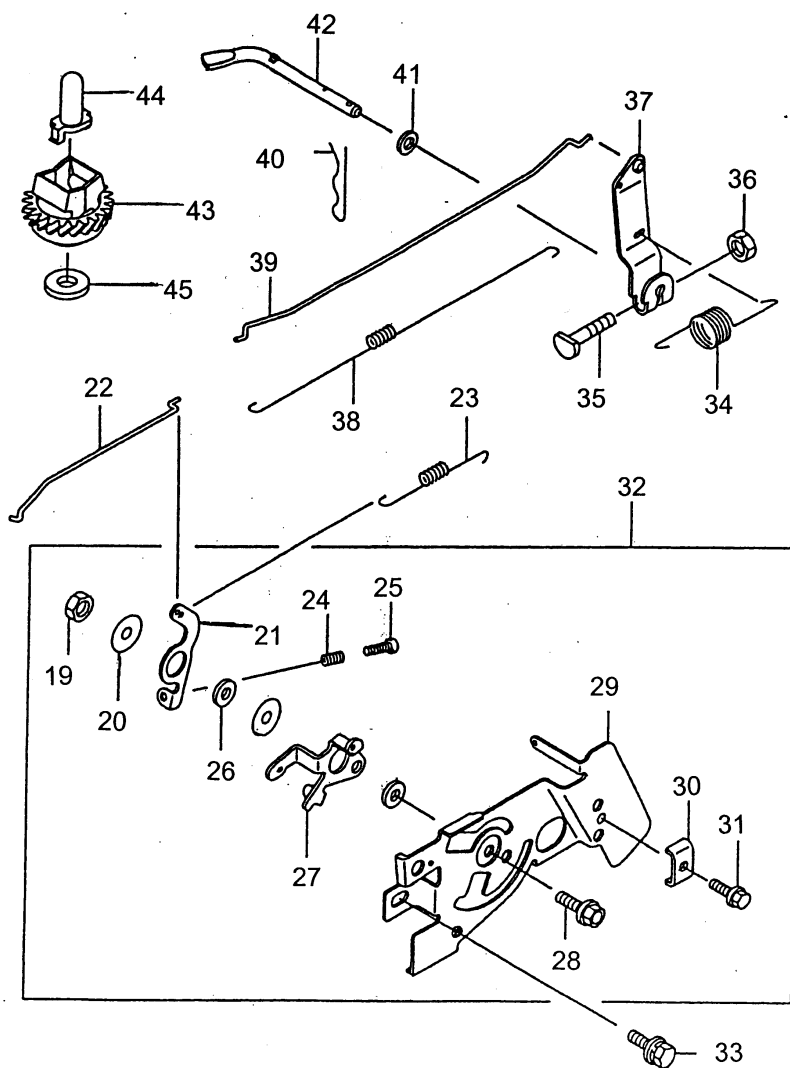
**FC 150 V - #S 66 Polrad, Zündspule, Regelung**

**FC 150 V - #S 66 flywheel, electrical, controls**



**FC 150 V - #S 66 Polrad, Zündspule, Regelung**

**FC 150 V - #S 66 flywheel, electrical, controls**



**FC 150 V - #S 66 Polrad, Zündspule, Regelung**  
**FC 150 V - #S 66 Flywheel, Electrical, Control**

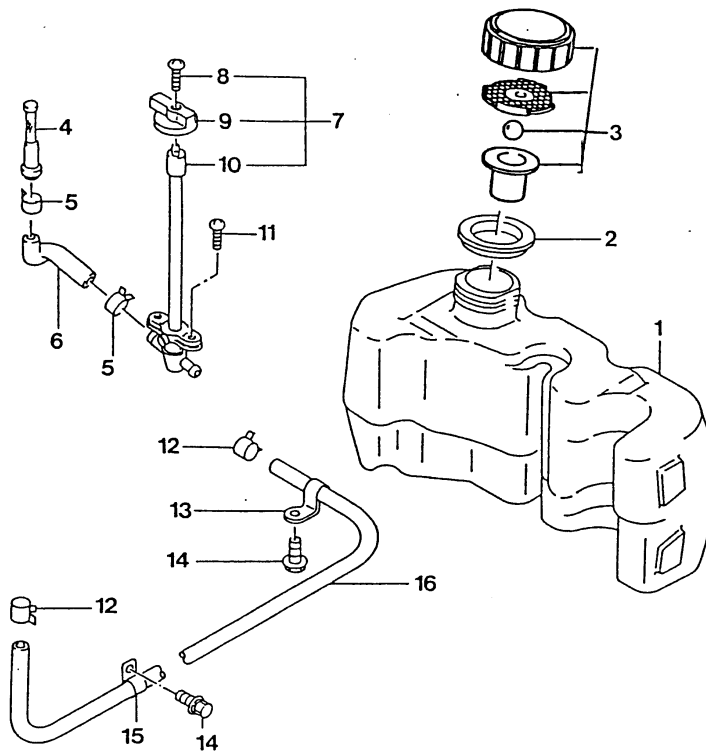
| Bild-Nr. /<br>Ref. No. | Best.-Nr. /<br>Part No. | Bezeichnung     | Description        | Part No.<br>Kawasaki |
|------------------------|-------------------------|-----------------|--------------------|----------------------|
| 1                      | 2096 538                | Schwungrad      | flywheel           | 21194-2290           |
| 2                      | 2090 301                | Schwungradkeil  | key-flywheel       | 92038-2077           |
| 3                      | 2096 159                | Scheibe         | washer             | 92200-2079           |
| 4                      | 2090 303                | Mutter          | nut-hex-fine       | 314 G-1400           |
| 5                      | 2096 537                | Zündspule       | coil-assy-ignition | 21171-2200           |
| 6                      | 2090 305                | Kerzenstecker   | cap-spark plug     | 21130-2060           |
| 7                      | 2095 306                | Zündkerze       | plug-spark         | 92070-2088           |
| 8                      | 2090 224                | Schraube        | screw              | 130 G-0625           |
| 9                      | 2095 307                | Klammer         | clamp              | 92170-2064           |
| 10                     | 2096 506                | Schraube        | screw              | 112 B-0516           |
| 11                     | 2090 237                | Schutzkappe     | cover              | 14090-2107           |
| 12                     | 2096 524                | Platte          | plate              | 13270-2056           |
| 13                     | 2090 241                | Isolierung      | insulator          | 16073-2192           |
| 14                     | 2090 313                | Scheibe         | w-plain-s          | 410 B-0500           |
| 15                     | 2090 314                | Mutter          | nut                | 311 B-0500           |
| 16                     | 2096 540                | Kurzschlußkabel | wire-lead          | 26011-2191           |
| 17                     | 2090 246                | Kurzschlußkabel | wire-lead          | 26011-2354           |
| 19                     | 2096 561                | Mutter          | nut                | 92015-2051           |
| 20                     | 2090 329                | Scheibe         | washer             | 92037-2209           |
| 21                     | 2090 319                | Hebel           | lever              | 13168-2288           |
| 22                     | 2090 320                | Schokergestänge | link-choke         | 16169-2124           |
| 23                     | 2090 249                | Feder           | spring             | 39129-2067           |
| 24                     | 2090 254                | Feder           | spring             | 92145-2052           |
| 25                     | 2090 324                | Schraube        | screw              | 214 B-0420           |
| 26                     | 2090 325                | Muffe           | collar             | 92143-2135           |
| 27                     | 2090 326                | Hebel           | lever              | 13168-2305           |
| 28                     | 2090 327                | Schraube        | screw              | 130 B-0616           |
| 29                     | 2096 556                | Steuerplatte    | panel-control      | 59226-2293           |

**FC 150 V - #S 66 Polrad, Zündspule, Regelung**  
**FC 150 V - #S 66 Flywheel, Electrical, Control**

| Bild-Nr. /<br>Ref. No. | Best.-Nr. /<br>Part No. | Bezeichnung       | Description        | Part No.<br>Kawasaki |
|------------------------|-------------------------|-------------------|--------------------|----------------------|
| 30                     | 2090 329                | Klemme            | clamp              | 92037-2209           |
| 31                     | 2090 330                | Schraube          | screw              | 92150-2182           |
| 32                     | 2090 053                | Reglerplatte kpl. | panel-assy-control | 39180-2905           |
| 33                     | 2090 331                | Schraube          | screw              | 187 B-0614           |
| 34                     | 2095 323                | Feder             | spring             | 92144-2266           |
| 35                     | 2090 333                | Schraube          | screw              | 92002-2269           |
| 36                     | 2090 334                | Mutter            | nut                | 92015-1193           |
| 37                     | 2090 054                | Hebel             | arm-assy           | 21187-2060           |
| 38                     | 2090 335                | Feder             | spring-link        | 92081-2299           |
| 39                     | 2090 336                | Gestänge          | link               | 16171-2080           |
| 40                     | 2090 337                | Klemmstift        | pin-snap           | 554 A-0600           |
| 41                     | 2095 338                | Scheibe           | washer             | 92200-2029           |
| 42                     | 2095 339                | Hebelarm          | arm-pivot          | 39003-2071           |
| 43                     | 2096 549                | Regler            | governor-assy      | 49110-2081           |
| 44                     | 2090 340                | Buchse            | sleeve             | 42036-2051           |
| 45                     | 2090 341                | Scheibe           | washer             | 92022-2019           |
| 46                     | 2090 243                | Isolierung        | insulator          | 16073-2194           |
| 47                     | 2090 238                | Schutzkappe       | cover              | 14090-2108           |
| 48                     | 2096 160                | Scheibe           | washer             | 410 B0400            |
| 49                     | 2090 247                | Mutter            | nut                | 311 B0400            |

**FC 150 V - #S 66 Tank**

**FC 150 V - #S 66 fuel tank**

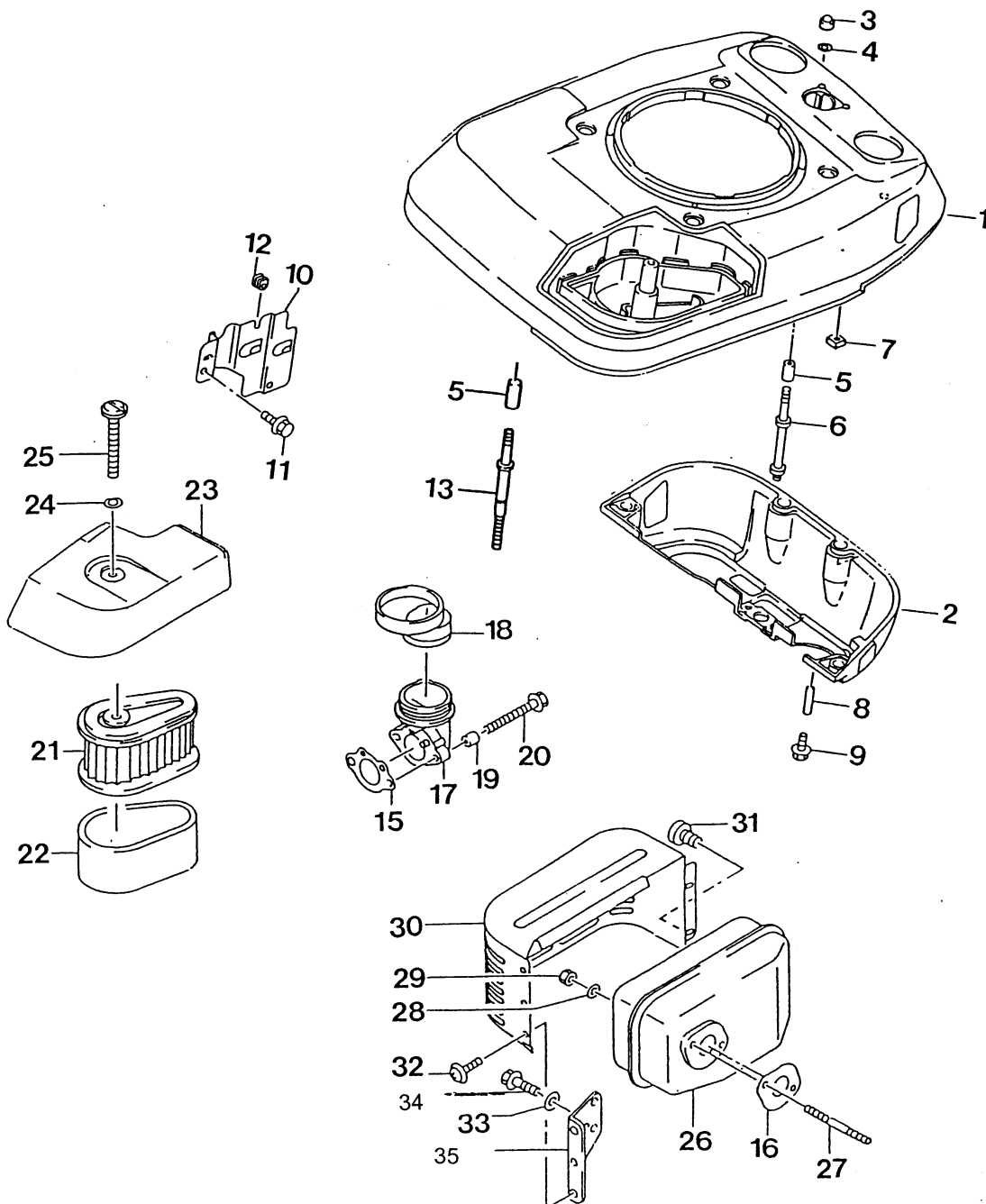




**FC 150 V - #S 66 Tank**  
**FC 150 V - #S 66 Fuel tank**

| <b>Bild-Nr. /<br/>Ref. No.</b> | <b>Best.-Nr. /<br/>Part No.</b> | <b>Bezeichnung</b> | <b>Description</b> | <b>Part No.<br/>Kawasaki</b> |
|--------------------------------|---------------------------------|--------------------|--------------------|------------------------------|
| 1                              | 2090 501                        | Tank               | tank-comp-fuel     | 51001-2214                   |
| 2                              | 2090 502                        | Dichtung           | guide              | 13070-2077                   |
| 3                              | 2090 503                        | Tankdeckel         | cap-assy-tank      | 51048-2070                   |
| 4                              | 2090 504                        | Filter             | filter-fuel        | 49019-2091                   |
| 5                              | 2090 505                        | Klammer            | clamp              | 92170-2009                   |
| 6                              | 2090 506                        | Leitung            | tube               | 92059-2262                   |
| 7                              | 2090 057                        | Benzinhahn kpl.    | filter-fuel        | 49019-2094                   |
| 8                              | 2090 507                        | Schraube           | screw              | 92009-2296                   |
| 9                              | 2090 508                        | Knopf              | lever              | 13168-2303                   |
| 10                             | 2090 509                        | Rohr               | filter-comp        | 16104-2052                   |
| 11                             | 2090 510                        | Schraube           | screw              | 233 B-0510                   |
| 12                             | 2090 511                        | Klammer            | clamp              | 92170-2043                   |
| 13                             | 2090 512                        | Klammer            | clamp              | 92170-2037                   |
| 14                             | 2090 513                        | Schraube           | screw              | 130 B-0612                   |
| 15                             | 2090 514                        | Klammer            | clamp              | 92037-2202                   |
| 16                             | 2090 515                        | Benzinleitung      | tube               | 92190-2068                   |

**FC 150 V - #S 66 Abdeckung, Luftfilter, SchalldÄmpfer**  
**FC 150 V - #S 66 covers, air cleaner, muffler**

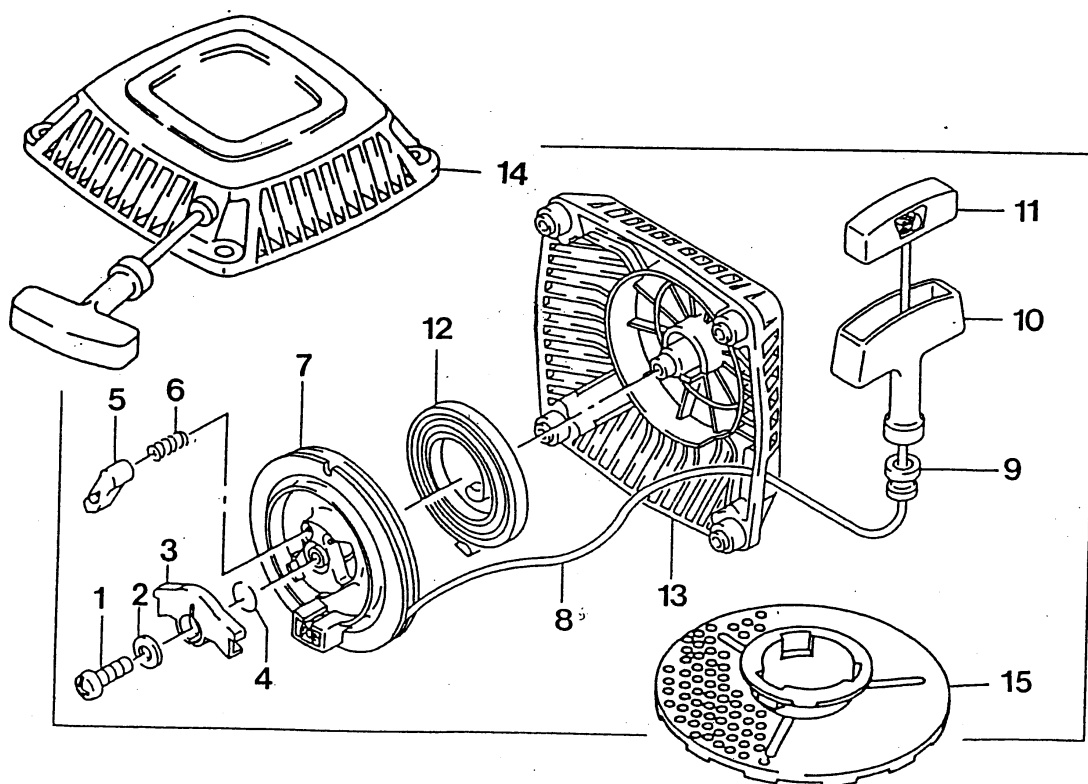


**FC 150 V - #S 66 Abdeckung, Luftfilter, SchalldÄmpfer**  
**FC 150 V - #S 66 Covers, Air cleaner, Muffler**

| Bild-Nr. /<br>Ref. No. | Best.-Nr. /<br>Part No. | Bezeichnung           | Description             | Part No.<br>Kawasaki |
|------------------------|-------------------------|-----------------------|-------------------------|----------------------|
| 1                      | 2095 401                | Abdeckhaube           | cover-upper             | 14090-2007           |
| 2                      | 2095 402                | Abdeckung             | cover-lower             | 14090-2011           |
| 3                      | 2090 403                | Mutter                | nut                     | 92015-1170           |
| 4                      | 2090 256                | Scheibe               | washer                  | 92200-2078           |
| 5                      | 2090 405                | DistanzhÄuse         | spacer                  | 92026-2274           |
| 6                      | 2090 406                | Bolzen                | stud                    | 92004-2117           |
| 7                      | 2090 407                | Mutter                | nut                     | 92015-2241           |
| 8                      | 2090 408                | DistanzhÄuse         | spacer                  | 92026-2273           |
| 9                      | 2090 224                | Schraube              | screw                   | 130 G-0625           |
| 10                     | 2096 526                | Platte                | cover                   | 14090-2074           |
| 11                     | 2090 115                | Schraube              | screw                   | 130 B-0510           |
| 12                     | 2095 410                | Manschette            | grommet                 | 92071-2113           |
| 13                     | 2096 558                | Bolzen-#S 66          | stud                    | 92004-2119           |
| 15                     | 2095 411                | Dicht.-AnsaugkrÄmmer | gasket-intake pipe      | 11060-2067           |
| 16                     | 2095 412                | Dicht.-SchalldÄmpfer | gasket-muffler          | 11060-2401           |
| 17                     | 2090 240                | AnsaugkrÄmmer        | pipe-intake             | 16060-2182           |
| 18                     | 2090 414                | Ansaugrohr            | tube                    | 92059-2257           |
| 19                     | 2090 415                | DistanzhÄuse         | spacer                  | 92026-2272           |
| 20                     | 2090 416                | Schraube              | screw                   | 186 B-0680           |
| 21                     | 2090 361                | Filter                | element-air filter      | 11013-2175           |
| 22                     | 2090 360                | Vorfilter             | element-air filter      | 11013-2174           |
| **                     | 2090 362                | Filter kpl.           | element-assy-air-filter | 11029-2010           |
| 23                     | 2095 419                | Deckel-Filter         | cap-air filter          | 11012-2311           |
| 24                     | 2090 256                | Scheibe               | washer                  | 92200-2078           |
| 25                     | 2090 421                | Schraube              | screw                   | 92150-2152           |
| 26                     | 2090 422                | SchalldÄmpfer        | muffler                 | 49070-2491           |
| 27                     | 2090 423                | Schraube              | screw                   | 172 G-0680           |
| 28                     | 2090 424                | Scheibe               | washer                  | 92200-2032           |
| 29                     | 2090 425                | Mutter                | nut                     | 92015-1193           |
| 30                     | 2090 426                | Hitzeschutz           | cover-muffler           | 49106-2446           |
| 31                     | 2095 427                | Schraube              | screw                   | 92009-2308           |
| 32                     | 2090 428                | Schraube              | screw                   | 92009-2166           |
| 33                     | 2090 429                | Scheibe               | washer                  | 411 B-0500           |
| 34                     | 2096 539                | Schraube              | screw                   | 214 B0510            |
| 35                     | 2096 505                | Halter                | bracket                 | 11049-2002           |

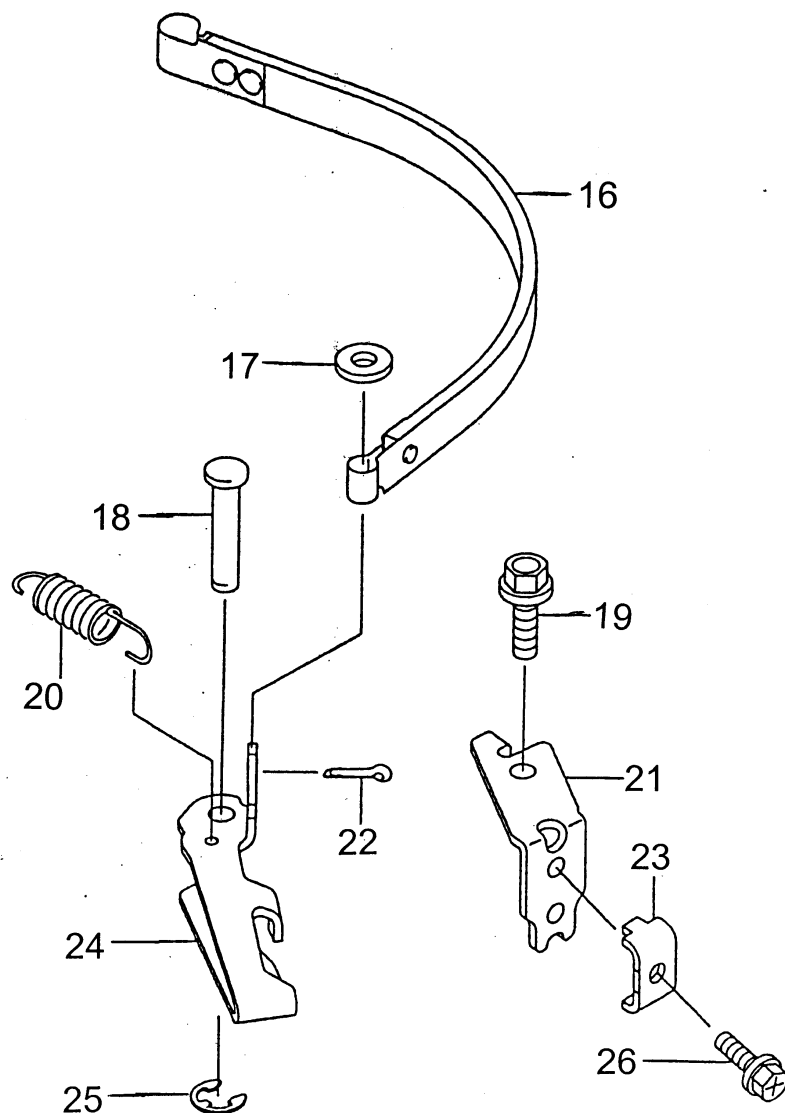
**FC 150 V - #S 66 Starter, Bremse**

**FC 150 V - #S 66 blower housing, brake**



**FC 150 V - #S 66 Starter, Bremse**

**FC 150 V - #S 66 blower housing, brake**



**FC 150 V - #S 66 Starter, Bremse**  
**FC 150 V - #S 66 Blower housing, Brake**

| <b>Bild-Nr. /<br/>Ref. No.</b> | <b>Best.-Nr. /<br/>Part No.</b> | <b>Bezeichnung</b> | <b>Description</b> | <b>Part No.<br/>Kawasaki</b> |
|--------------------------------|---------------------------------|--------------------|--------------------|------------------------------|
| 1                              | 2090 601                        | Schraube           | screw              | 92009-2280                   |
| 2                              | 2090 602                        | Scheibe            | washer             | 92022-2384                   |
| 3                              | 2090 603                        | Anschlag           | retainer-spring    | 39108-2059                   |
| 4                              | 2090 604                        | Sprengring         | spring             | 92144-2176                   |
| 5                              | 2090 605                        | Klinke             | pawl-recoil        | 13165-2072                   |
| 6                              | 2090 606                        | Klinkenfeder       | spring-return      | 92144-2177                   |
| 7                              | 2090 607                        | Seilscheibe        | reel-recoil        | 59101-2079                   |
| 8                              | 2090 608                        | Starterseil        | rope               | 59106-2110                   |
| 9                              | 2090 609                        | Seilfhrung        | guide-rope         | 13070-2064                   |
| 10                             | 2090 610                        | Startergriff       | grip-recoil        | 46075-2082                   |
| 11                             | 2090 611                        | Seilklemme         | cap-grip           | 11012-2255                   |
| 12                             | 2096 575                        | Starterfeder       | spring-recoil      | 92081-2265                   |
| 13                             | 2090 613                        | StartergehÄuse    | holder-recoil      | 13091-2113                   |
| 14                             | 2090 058                        | Starter kpl.       | starter-recoil     | 49088-2364                   |
| 15                             | 2090 614                        | Fingerschutz       | pulley-starting    | 49080-2143                   |
| 16                             | 2096 543                        | Bremsband          | band-brake         | 39187-2053                   |
| 17                             | 2090 313                        | Scheibe            | w-plain-s          | 410 B-0500                   |
| 18                             | 2096 571                        | Bolzen             | pin                | 92043-2170                   |
| 19                             | 2090 513                        | Schraube           | screw              | 130 B-0610                   |
| 20                             | 2096 579                        | Feder              | spring             | 92144-2351                   |
| 21                             | 2096 504                        | Lasche             | bracket            | 11048-2028                   |
| 22                             | 2096 554                        | Splint             | pin,cotter         | 550 D-2010                   |
| 23                             | 2090 329                        | Klemme             | clamp              | 92037-2209                   |
| 24                             | 2096 546                        | Bremshebel         | lever-brake        | 43001-2054                   |
| 25                             | 2096 547                        | Sicherung          | circlip            | 482 L-4000                   |
| 26                             | 2096 580                        | Schraube           | screw              | 92150-2182                   |