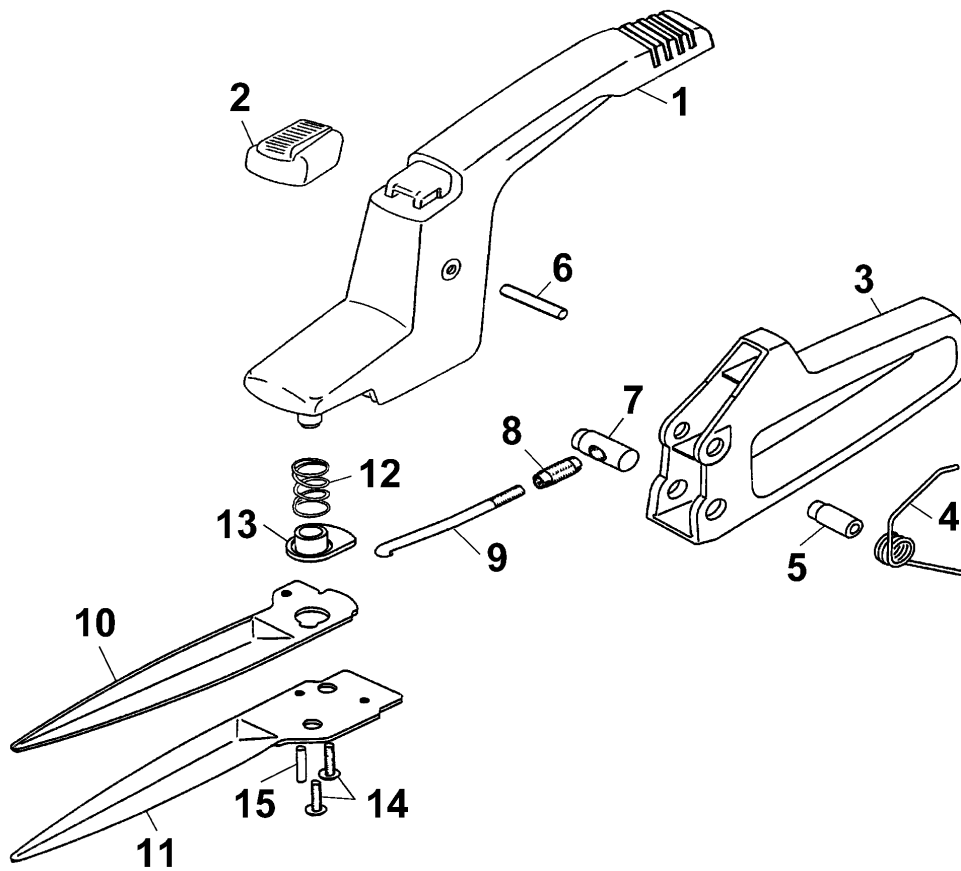


Ⓓ Handgrasschere RJ-Z 7027000 / OJ-D 7027001 (F)

ⒼⒷ Single-handed Shear RJ-Z 7027000 / OJ-D 7027001 (F)



Handgrasschere RJ-Z 7027000 / OJ-D 7027001 (F)
Single-handed Shear RJ-Z 7027000 / OJ-D 7027001 (F)

| Bild-Nr. / Ref. No. | Best.-Nr. / Part No. | Bezeichnung | Description |
|--------------------------------|---------------------------------|----------------------------|----------------------------|
| 1 | 7027 100 | Obergriff RJ-Z | upper grip RJ-Z |
| | 7024 101 | Obergriff OJ-D | upper grip OJ-D |
| 2 | 7024 102 | Schiebeknopf | push button |
| 3 | 7040 101 | Untergriff gelb | lower grip yellow |
| 4 | 7040 200 | Schenkelfeder | leg spring |
| 5 | 7028 204 | Gelenkbuchse | bush for link |
| 6 | 0018 653 | Kerbstift ISO 8742 6x28-St | dowel pin ISO 8742 6x28-St |
| 7 | 7028 202 | Stellbolzen | bolt |
| 8 | 7028 203 | Stellhülse | bush |
| 9 | 7040 102 | Zugstange | tension rod |
| 10 | 7028 400 | Obermesser verzinkt | upper blade zined |
| 11 | 7028 402 | Untermesser verzinkt | lower blade zined |
| 12 | 7028 200 | Gleitbuchse | slide bush |
| 13 | 7028 201 | Druckfeder | compression spring |
| 14 | 0012 882 | Schraube KA50x16 (2 St.) | screw KA50x16 (2 pieces) |
| 15 | 0018 613 | Kerbstift DIN 1474 4x18-St | dowel pin DIN 1474 4x18-St |