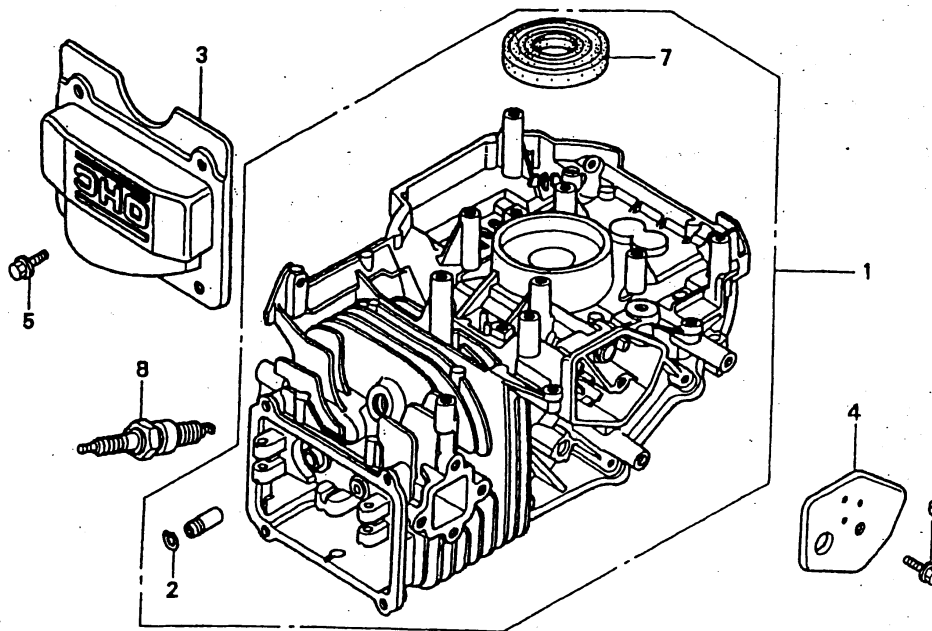


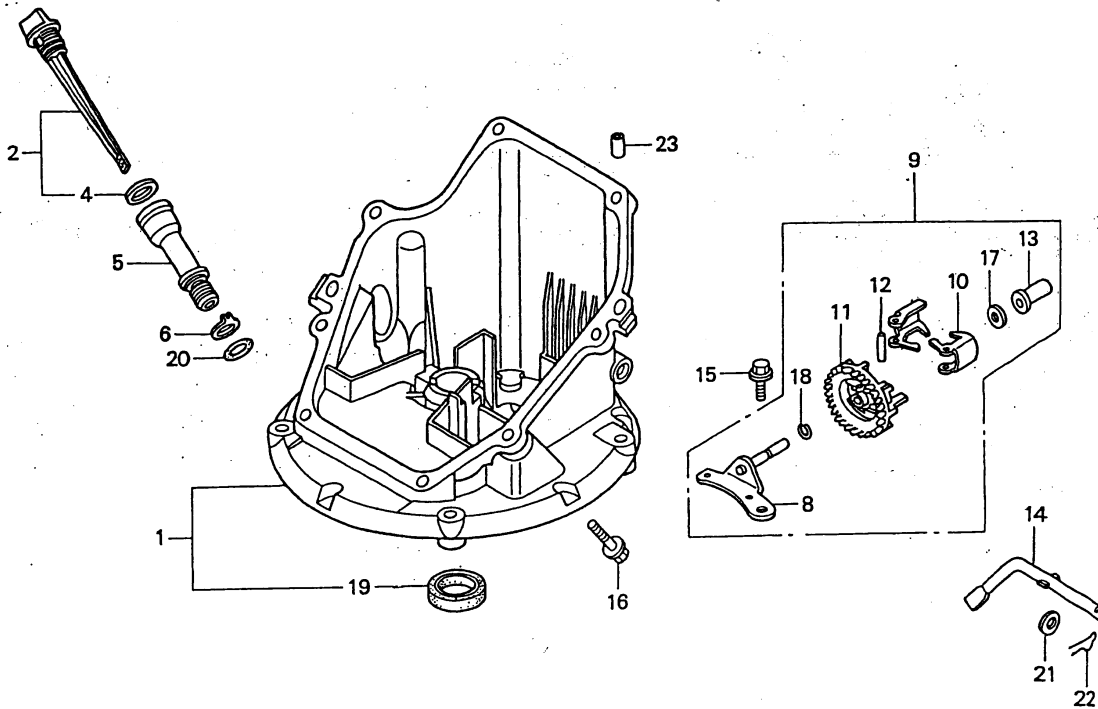
GCV 135 - A2 / Zylinder, cylinder assembly



GCV 135 - A2 Zylinder
GCV 135 - A2 cylinder assembly

| Bild-Nr. / Ref. No. | Best.-Nr. / Part No. | Bezeichnung | Description | Part No. Honda |
|------------------------|-------------------------|--------------------|----------------|-------------------|
| 1 | 2098 308 | Zylinder kpl. | cylinder | 1200-ZL9-405 |
| 2 | 2098 138 | Wellensicherung | clip | 12216-ZE5-300 |
| 3 | 2098 424 | Zylinderkopfdeckel | cover-head | 12311-ZL8-000 |
| 4 | 2098 400 | Deckel | cover-breather | 12355-ZL8-000 |
| 5 | 2098 105 | Schraube | screw | 90013-883-000 |
| 6 | 2098 106 | Schraube | screw | 90014-952-000 |
| 7 | 2098 318 | Simmering | oil-seal | 91201-ZL8-003 |
| 8 | 2095 306 | Zündkerze | plug-spark | 98079-56846 |

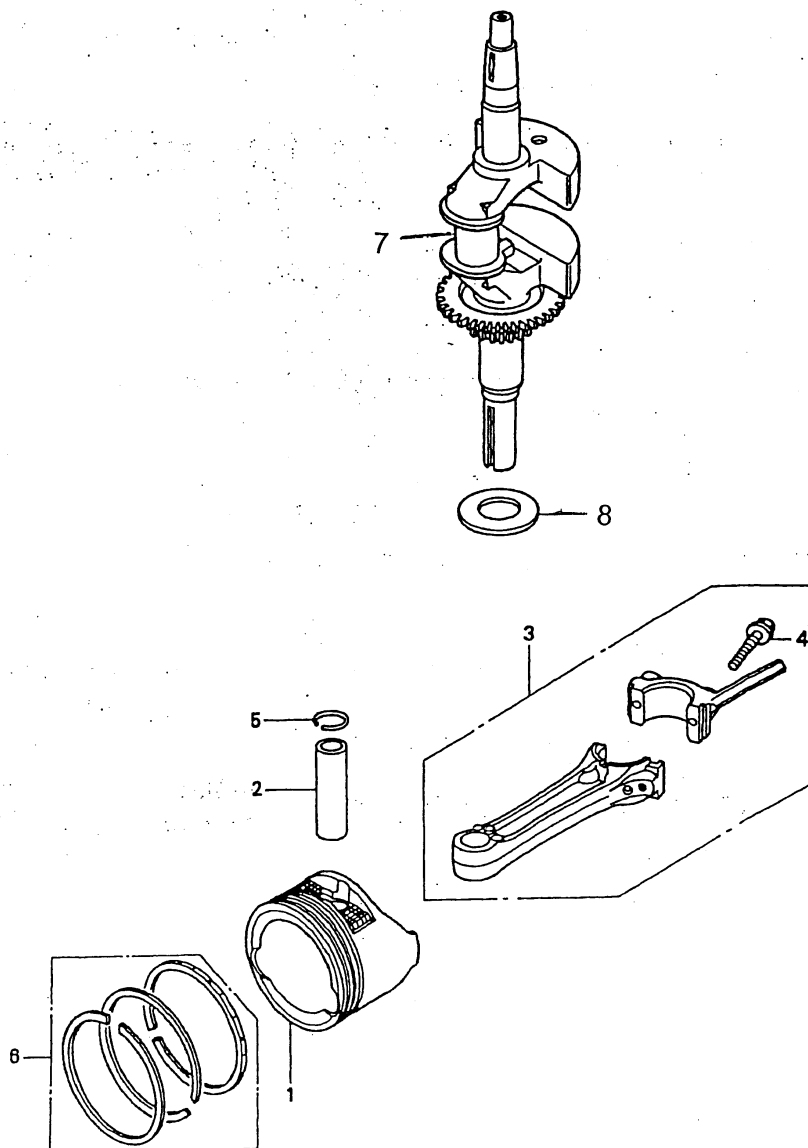
GCV 135 - A2 / Ölwanne, sump-engine



GCV 135 - A2 Ölwanne
GCV 135 - A2 sump-engine

| Bild-Nr. / Ref. No. | Best.-Nr. / Part No. | Bezeichnung | Description | Part No. Honda |
|--------------------------------|---------------------------------|--------------------|--------------------|---------------------------|
| 1 | 2098 309 | Ölwanne | pan-assy | 11300-ZM0-810 |
| 2 | 2098 375 | Ölmeßstab | gauge-oil level | 15650-ZM0-801 |
| 4 | 2098 311 | Dichtung-Meßstab | packing-oil cap | 15625-ZE6-000 |
| 5 | 2098 410 | Öleinfüllrohr | extension-oil | 15631-ZM0-000 |
| 6 | 2098 135 | Scheibe | washer | 15639-ZM0-000 |
| 8 | 2098 415 | Halter | shaft-holder | 16508-ZM0-000 |
| 9 | 2098 028 | Regler kpl. | governor | 16510-ZM0-000 |
| 10 | 2098 416 | Reglergewicht | weight-governor | 16511-ZL8-000 |
| 11 | 2098 417 | Reglervverzahnung | holder-governor | 16512-ZM0-000 |
| 12 | 2098 134 | Stift | pin | 16513-ZE1-000 |
| 13 | 2098 139 | Reglerspule | slider-governor | 16531-ZE1-000 |
| 14 | 2098 418 | Reglerarm | arm-governor | 16541-ZM0-000 |
| 15 | 2098 106 | Schraube | screw | 90014-952-000 |
| 16 | 2098 110 | Schraube | screw | 90121-952-000 |
| 17 | 2098 115 | Druckscheibe | washer | 90451-ZE1-000 |
| 18 | 2098 117 | Klemme | clip | 90602-ZE1-000 |
| 19 | 2098 319 | Dichtung-Ölrohr | oil-seal | 91202-ZL8-003 |
| 20 | 2098 321 | O-Ring | o-ring | 91313-MB0-003 |
| 21 | 2098 123 | Scheibe | washer | 94101-06800 |
| 22 | 2098 125 | Sicherung | pin-lock | 94251-08000 |
| 23 | 2098 126 | Paßstift | pin-dowel | 94301-08200 |

**GCV 135 - A2 / Kurbelwelle, Kolben,
GCV 135 - A2 / crankshaft, piston**

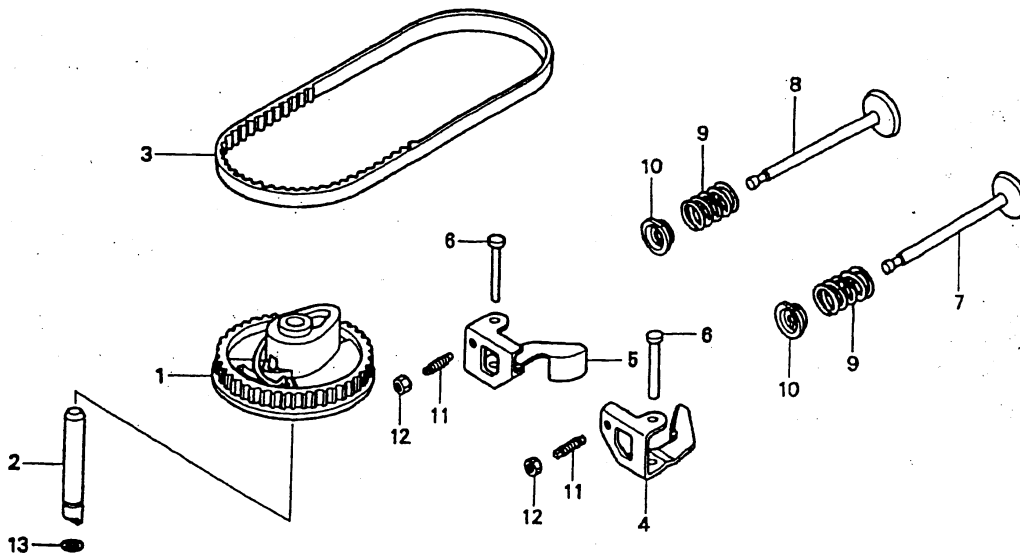


NR:2098 075 Bezeichnung: GCV 135 A2G9 Gruppe: Honda GCV 135 A2G9 Jahr: 03 Typ:

GCV 135 - A2 Kurbelwelle, Kolben
GCV 135 - A2 crankshaft, piston

| Bild-Nr. / Ref. No. | Best.-Nr. / Part No. | Bezeichnung | Description | Part No. Honda |
|------------------------|-------------------------|------------------|----------------|-------------------|
| 1 | 2098 401 | Kolben | piston | 13101-ZL8-000 |
| 2 | 2098 425 | Kolbenbolzen | pin-piston | 13111-ZE0-000 |
| 3 | 2098 376 | Pleuelstange | pod-connecting | 13200-ZL9-000 |
| 4 | 2098 100 | Schraube | screw | 90001-ZE1-000 |
| 5 | 2098 116 | Wellensicherung | clip | 90551-ZE0-000 |
| 6 | 2098 377 | Kolbenringe-Satz | ring-set | 13010-ZL8-014 |
| 7 | 2098 378 | Kurbelwelle | crankshaft | 13310-ZM1-000 |
| 8 | 2098 114 | Scheibe | washer | 90402-ZL8-000 |

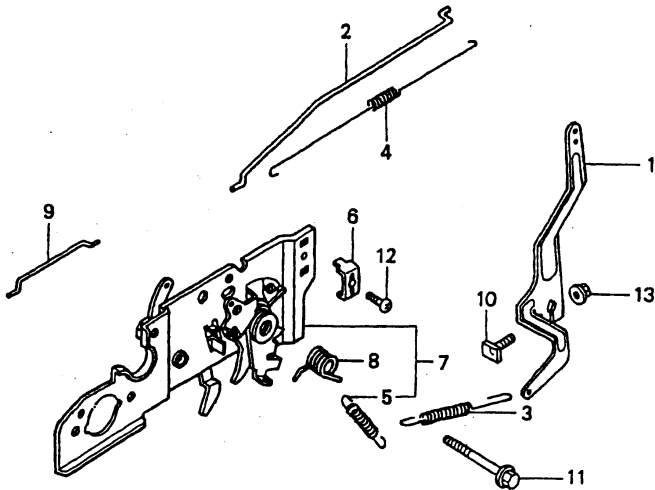
GCV 135 - A2 / Ventile, valve



GCV 135 - A2 Ventile
GCV 135 - A2 valves

| Bild-Nr. / Ref. No. | Best.-Nr. / Part No. | Bezeichnung | Description | Part No. Honda |
|--------------------------------|---------------------------------|--------------------|--------------------|---------------------------|
| 1 | 2098 411 | Riemenscheibe | pulley-camshaft | 14320-ZL8-000 |
| 2 | 2098 426 | Welle | shaft-cam pulley | 14324-ZL8-000 |
| 3 | 2098 446 | Zahnriemen | belt-timing | 14400-ZL9-003 |
| 4 | 2098 402 | Kipphebel Einlass | rocker-arm in. | 14431-ZL8-000 |
| 5 | 2098 403 | Kipphebel Auslass | rocker-arm ex. | 14441-ZL8-000 |
| 6 | 2098 412 | Stift | shaft | 14461-ZL8-000 |
| 7 | 2098 404 | Einlassventil | valve-in. | 14711-ZL8-000 |
| 8 | 2098 405 | Auslassventil | valve-ex. | 14721-ZL8-000 |
| 9 | 2098 137 | Ventilfeder | spring-valve | 14751-ZL8-000 |
| 10 | 2098 136 | Federteller | retainer | 14771-ZE1-000 |
| 11 | 2098 104 | Schraube | screw | 90012-333-000 |
| 12 | 2098 112 | Mutter | nut | 90206-001-000 |
| 13 | 2098 320 | O-Ring | o-ring | 91301-027-000 |

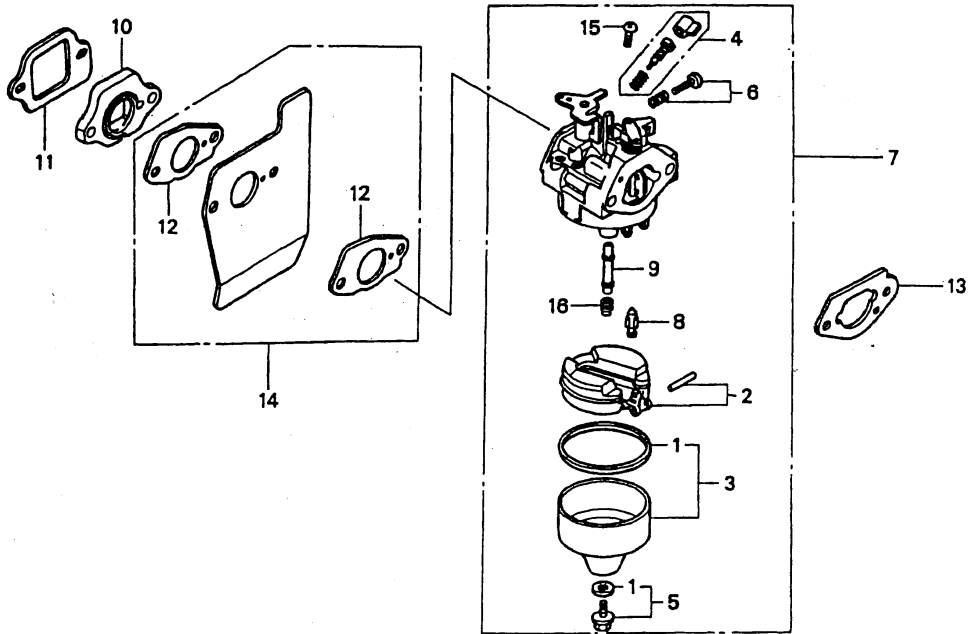
GCV 135 - A2 / Regelung, control



GCV 135 - A2 Regelung
GCV 135 - A2 control

| Bild-Nr. / Ref. No. | Best.-Nr. / Part No. | Bezeichnung | Description | Part No. Honda |
|--------------------------------|---------------------------------|--------------------|--------------------|---------------------------|
| 1 | 2098 512 | Reglerarm | arm-governor | 16551-ZM0-000 |
| 2 | 2098 605 | Reglerstange | rod-governor | 16555-ZM1-000 |
| 3 | 2098 606 | Zugfeder | spring | 16561-ZM1-000 |
| 4 | 2098 607 | Zugfeder | spring | 16562-ZM1-000 |
| 5 | 2098 189 | Zugfeder | spring | 16576-ZE7-300 |
| 6 | 2098 520 | Kabelklemme | holder-cable | 16576-891-000 |
| 7 | 2098 608 | Grundplatte kpl. | base-control | 16580-ZM0-020 |
| 8 | 2098 584 | Feder | spring | 16593-ZM0-000 |
| 9 | 2098 589 | Chokestange | rod-choke | 16674-ZM0-000 |
| 10 | 2098 181 | Schraube | screw | 90015-ZE5-010 |
| 11 | 2098 590 | Schraube | screw | 90016-ZM0-000 |
| 12 | 2098 575 | Schraube | screw | 93500-05016-0A |
| 13 | 2098 581 | Mutter | nut | 94050-06000 |

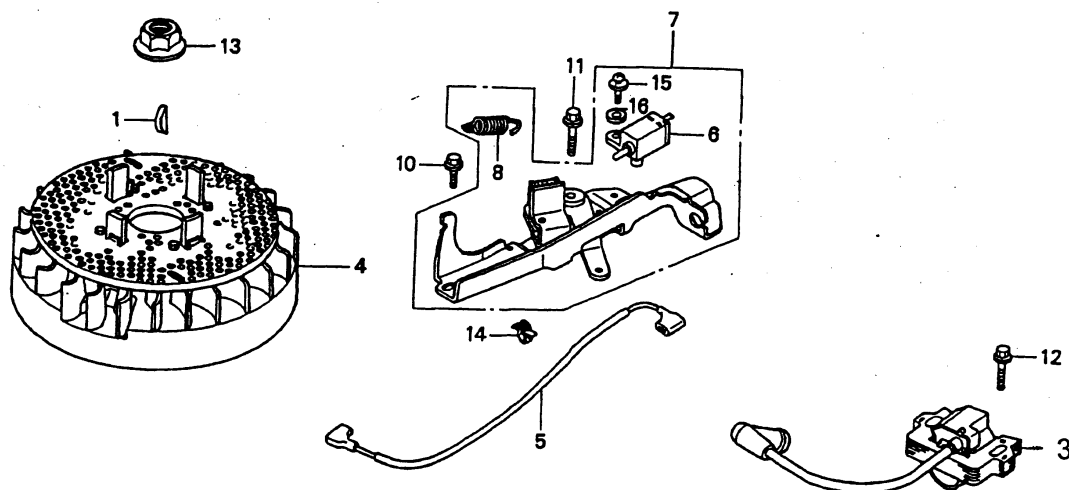
GCV 135 - A2 / Vergaser, carburetor



GCV 135 - A2 Vergaser
GCV 135 - A2 carburetor

| Bild-Nr. / Ref. No. | Best.-Nr. / Part No. | Bezeichnung | Description | Part No. Honda |
|------------------------|-------------------------|------------------|---------------|-------------------|
| 1 | 2098 312 | Dichtung | packing-set | 16010-883-015 |
| 2 | 2098 054 | Schwimmer kpl. | float-set | 16013-ZL1-003 |
| 3 | 2098 414 | Kappe kpl. | chamber-float | 16015-892-015 |
| 4 | 2098 010 | Schrauben Set | screw-set | 16016-892-005 |
| 5 | 2098 011 | Schrauben Set | screw-set | 16028-ZE0-005 |
| 6 | 2098 012 | Schrauben Set | screw-set | 16029-ZG0-901 |
| 7 | 2098 055 | Vergaser kpl. | carburetor | 16000-ZM0-013 |
| 8 | 2098 409 | Nadelventil | valve-float | 16155-ZM0-003 |
| 9 | 2098 408 | Steigrohr | nozzel-main | 16166-ZM0-003 |
| 10 | 2098 314 | Isolierung | insulator | 162111-ZL8-000 |
| 11 | 2098 315 | Dichtung | packing | 16212-ZL8-000 |
| 12 | 2098 374 | Dichtung | packing | 16221-883-800 |
| 13 | 2098 316 | Dichtung | packing | 16228-ZL8-000 |
| 14 | 2098 015 | Luftführung kpl. | guide-air | 19650-ZM-000 |
| 15 | 2098 120 | Schraube | screw | 93500-05006-1H |
| 16 | 2098 609 | Düse-55 | jet-main #55 | 99101-124-0550 |
| 16 | 2098 328 | Düse-60 | jet-main #60 | 99101-124-0600 |
| 16 | 2098 329 | Düse-62 | jet-main #62 | 99101-124-0620 |
| 16 | 2098 330 | Düse-65 | jet-main #65 | 99101-124-0650 |

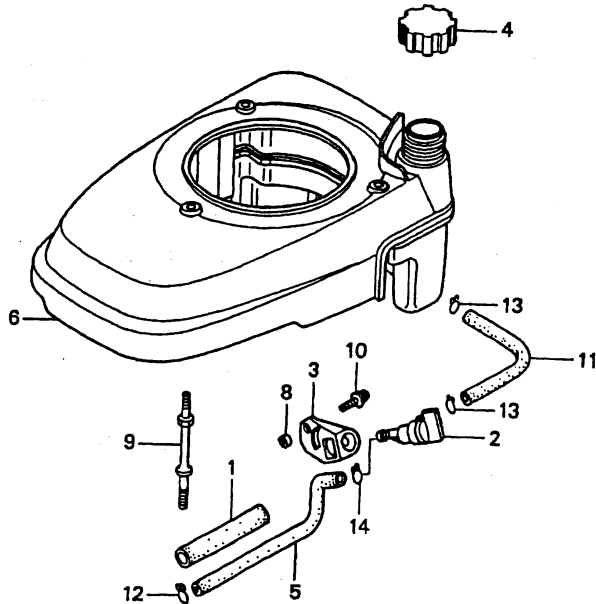
GCV 135 - A2 / Polrad, Zündspule, Bremse
GCV 135 - A2 / flywheel, ignition, brake



GCV 135 - A2 Polrad, Zündspule, Bremse
GCV 135 - A2 flywheel, ignition, brake

| Bild-Nr. / Ref. No. | Best.-Nr. / Part No. | Bezeichnung | Description | Part No. Honda |
|------------------------|-------------------------|----------------|---------------|-------------------|
| 1 | 2098 133 | Schwungradkeil | key | 13331-357-000 |
| 3 | 2098 438 | Zündspule | ignition-coil | 30500-ZL8-004 |
| 4 | 2098 610 | Schwungrad | flywheel | 31105-ZM1-000 |
| 5 | 2098 439 | Kabel | stop-switch | 32195-ZM0-000 |
| 6 | 2098 443 | Schalter | engine-stop | 35120-ZMO-003 |
| 7 | 2098 444 | Bremse | brake | 75100-ZM0-000 |
| 8 | 2098 478 | Feder | spring | 75113-ZM0-000 |
| 10 | 2098 106 | Schraube | screw | 90014-952-000 |
| 11 | 2098 107 | Schraube | screw | 90018-ZE1-000 |
| 12 | 2098 108 | Schraube | screw | 90022-888-010 |
| 13 | 2098 111 | Mutter | nut | 90201-878-003 |
| 14 | 2098 118 | Clips | clip | 90681-959-003 |
| 15 | 2098 122 | Schraube | screw | 93892-04012-00 |
| 16 | 2098 124 | Scheibe | washer | 94103-04000 |

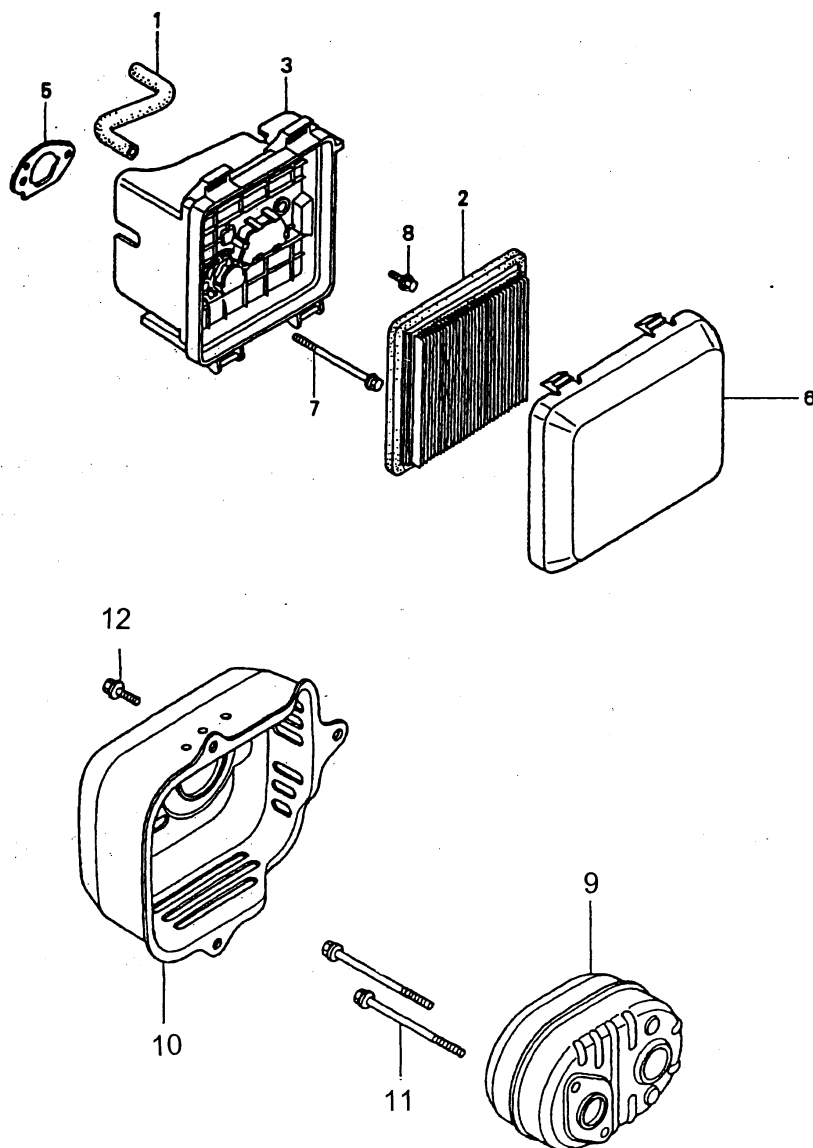
GCV 135 - A2 / Kraftstoffbehälter, tank fuel



GCV 135 - A2 Kraftstoffbehälter
GCV 135 - A2 fuel tank

| Bild-Nr. / Ref. No. | Best.-Nr. / Part No. | Bezeichnung | Description | Part No. Honda |
|------------------------|-------------------------|----------------|------------------|-------------------|
| 1 | 2098 302 | Schutzschlauch | rubber-supporter | 16854-ZH8-000 |
| 2 | 2098 140 | Benzinhahn | cock-fuel | 16950-ZG9-M02 |
| 3 | 2098 419 | Stütze | bracket | 16956-ZM0-000 |
| 4 | 2098 611 | Tankdeckel | cap-fuel tank | 17620-ZL8-013 |
| 5 | 2098 303 | Benzinleitung | tube-fuel | 17702-ZM0-000 |
| 6 | 2098 612 | Tank | tank-fuel | 19610-ZM1-010ZA |
| 8 | 2098 441 | Buchse | collar | 33609-GK4-620 |
| 9 | 2098 613 | Gewindebolzen | bolt-stud | 90041-ZL9-000 |
| 10 | 2098 121 | Schraube | screw | 93891-05010-08 |
| 11 | 2098 614 | Benzinleitung | tube-fuel | 95001-55135-40 |
| 12 | 2098 127 | Sicherung B8 | clip b8 | 95002-02080 |
| 13 | 2098 128 | Sicherung B10 | clip b10 | 95002-02100 |
| 14 | 2098 129 | Sicherung C9 | clip c9 | 95002-50000 |

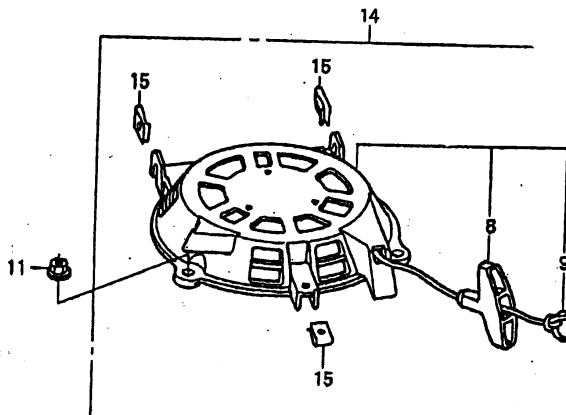
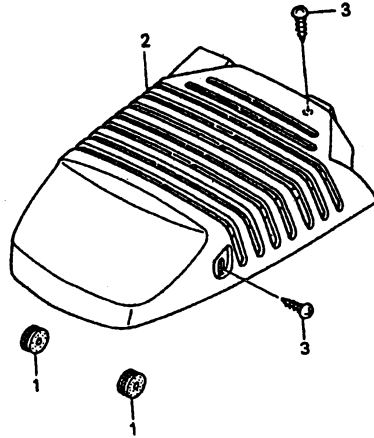
GCV 135 - A2 / Luftfilter, Schalldämpfer
GCV 135 - A2 / air cleaner, muffler



GCV 135 - A2 Luftfilter, Schalldämpfer
GCV 135 - A2 air cleaner, muffler

| Bild-Nr. / Ref. No. | Best.-Nr. / Part No. | Bezeichnung | Description | Part No. Honda |
|------------------------|-------------------------|---------------|---------------------|-------------------|
| 1 | 2098 301 | Luftschlauch | tube-breather | 15721-ZM0-000 |
| 2 | 2098 323 | Luftfilter | element-air cleaner | 17211-ZL8-000 |
| 3 | 2098 324 | Filtergehäuse | case-air cleaner | 17220-ZM0-000 |
| 5 | 2098 317 | Dichtung | packing | 17228-ZL8-000 |
| 6 | 2098 326 | Filterdeckel | cover | 17231-ZM0-000 |
| 7 | 2098 101 | Schraube | screw | 90003-ZM0-000 |
| 8 | 2098 130 | Schraube | screw | 95701-06014-08 |
| 9 | 2098 615 | Schalldämpfer | muffler | 18321-ZL8-A00 |
| 10 | 2098 428 | Schutzgitter | protector | 18321-ZL8-000 |
| 11 | 2098 102 | Schraube | screw | 90004-ZL8-000 |
| 12 | 2098 105 | Schraube | screw | 90013-883-000 |

GCV 135 - A2 / Abdeckung, Starter, covers, recoil



GCV 135 - A2 Abdeckung, Starter
GCV 135 - A2 covers, recoil

| Bild-Nr. / Ref. No. | Best.-Nr. / Part No. | Bezeichnung | Description | Part No. Honda |
|------------------------|-------------------------|----------------|----------------|-------------------|
| 1 | 2098 616 | Gummilager | grommet | 16613-883-610 |
| 2 | 2098 617 | Abdeckung | cover | 19721-Z0M-000ZA |
| 3 | 2098 618 | Schraube | screw | 93903-24480 |
| 8 | 2098 435 | Startergriff | grip-starter | 28461-ZL8-003 |
| 9 | 2098 437 | Starterseil | rope-starter | 28462-ZL8-631 |
| 11 | 2098 619 | Mutter-Scheibe | nut-flange cap | 90201-ZM0-00 |
| 14 | 2098 620 | Starter kpl. | recoil-starter | 28400-Z0M-800 |
| 15 | 2098 621 | Clips | upper-cowl | 66871-KY2-700 |