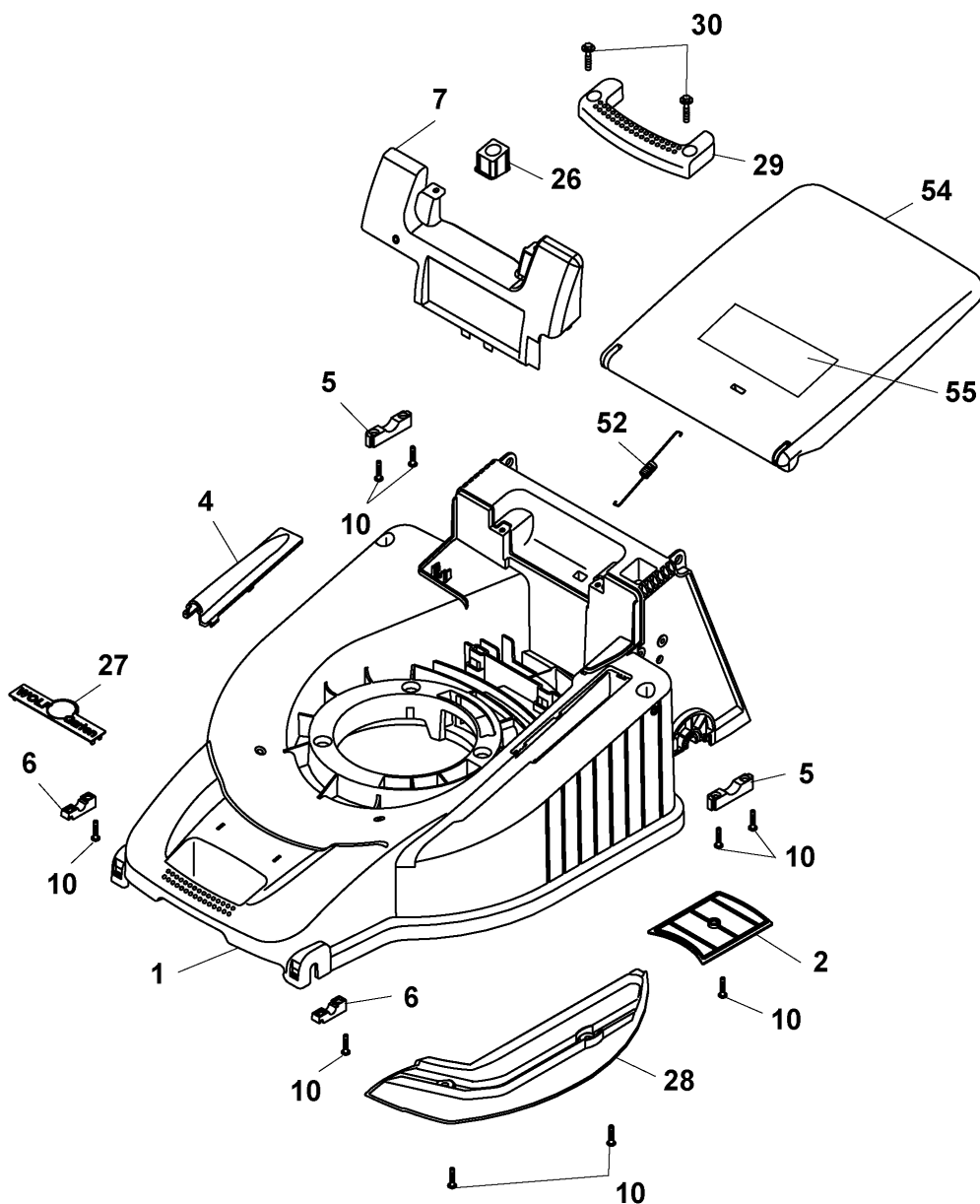


Esprit 40 BA, Serie B - D / Esprit 40 BA, Series B - D

Ausstattung Benzinmäher / Equipment Petrol-mowers

| | | |
|---|---|---|
| Typ / Kurzbez. / order code | Esprit 40 BA | |
| Ausführung für / version for | International | |
| Geräte - Nr. / article number | 4005000 | |
| Schnittbreite / cutting width | 40 cm | |
| Chassismaterial / chassis | Kunststoff / high-quality plastic | |
| Gewicht / weight | 28 kg | |
| Lautstärke / noise level | 96 dB (A) | |
| Ø Rad vorne / front wheel diameter | 17 cm | |
| Ø Rad hinten / rear wheel diameter | 20 cm | |
| Ausführung Räder / version wheels | Soft, Kugellager / soft, ball bearing | |
| Höhenverstellung / height adjustment | zentral 5-fach / central, five-fold | |
| Schnitthöhe (cm) / cutting height | 2,5 cm - 7,2 cm | |
| Antrieb / power drive | nein / no | |
| Motor - Hersteller / motor producer | Briggs & Stratton | Briggs & Stratton |
| Motor-Modell / motor-type | Quattro 40 | Quantum 50 XTE |
| Spezifikation / specification | 10A9022294B1 | 12F802 Type 1194 |
| Motor - Nr. WOLF / motor-number | 2056000 nur Serie B - C / only Series B - C | 2069070 nur Serie D only Series D |
| max. Leistung / maximum power | 2,9 kW (4,0 PS) | 3,7 kW (5,0 PS) |
| Nennleistung / nominal capacity | 2,4 kW (3,3 PS) | 3,1 kW (4,2 PS) |
| Zündkerze / spark plug | Champion RN 4 C, Art.Nr. / part no. 2085300 | |
| Griffgestänge / handle bar | Holmstart / bar start | |
| Fangkorb / collector box | 56 L, Artikel-Nr. 4961065 / part no. 4961065 | |
| <u>Drehmomente Chassis / torque settings, chassis fasteners:</u> | | |
| Achsbefest. (Lagerschale vorne/hinten) / axle fastening (bearing shell front/rear) | 2-3 Nm | |
| Radbefestigung / wheel fastening | 10 Nm | |
| Führung Höhenverstellung / guide height-adjustment | 2-3 Nm | |
| Windkanaleinlage - Chassis / wind tunnel insert - chassis | 2-3 Nm | |
| Stehbolzen an Motor / stud bolt to motor | 16-20 Nm | |
| Stehbolzen an Chassis / stud bolt to chassis | 12-14 Nm | |
| Chassisabdeckung + Griff / chassis covering + handle | 2-3 Nm | |
| Messerbalken an Motorwelle / cutter bar to motor shaft | 38-42 Nm | |
| Keilriemenabdeckung / v-belt cover | 2-3 Nm | |

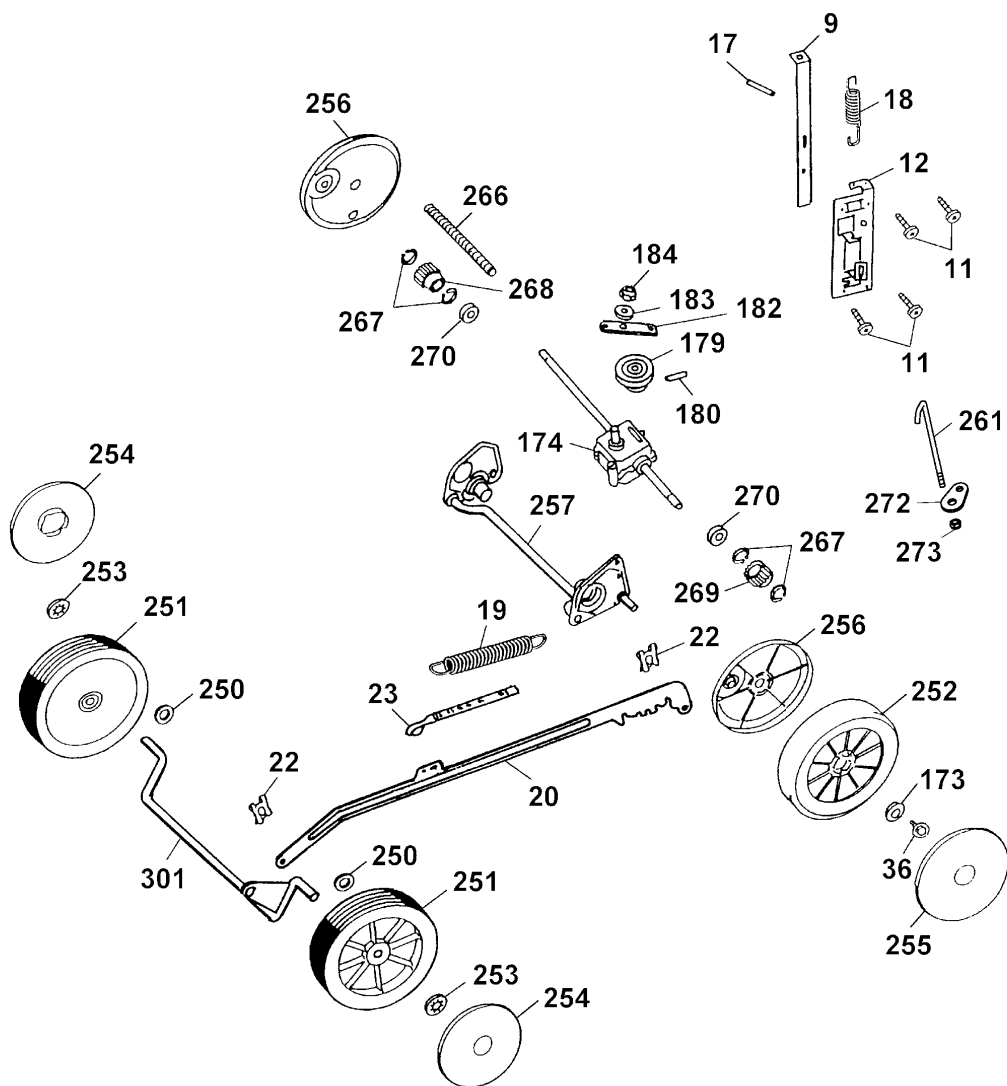
- Ⓓ Esprit 40 BA 4005 000, Serie B - D, Chassis
- ⒼⒷ Esprit 40 BA 4005 000, Series B - D, Chassis



Esprit 40 BA Chassis

| Bild-Nr. / Ref. No. | Best.-Nr. / Part No. | Bezeichnung | Description |
|------------------------|-------------------------|-------------------------------|-------------------------------|
| 1 | 4005 300 | Chassis | chassis |
| 2 | 4961 324 | Keilriemenabdeckung | v-belt cover |
| 4 | 4601 315 | Hutze | cover |
| 5 | 4961 313 | Stützschale, hinten (2 Stück) | rear support shell (2 piec.) |
| 6 | 4961 312 | Stützschale, vorne (2 Stück) | front support shell (2 piec.) |
| 7 | 4001 310 | Chassisabdeckung | chassis cover |
| 10 | 0012 631 | Schraube (9 Stück) | screw (9 pieces) |
| 26 | 4961 304 | Knopf | button |
| 27 | 0051 115 | WOLF-Garten Marke | WOLF-Garten brand |
| 28 | 4001 311 | Windkanalabdeckung | wind tunnel cover |
| 29 | 4601 303 | Tragegriff, hinten | rear carrying handle |
| 30 | 0012 639 | Schraube (2 Stück) | screw (2 pieces) |
| 52 | 4961 108 | Zugfeder | tension spring |
| 54 | 4620 302 | Schutzklappe (gelb) | rear flap (yellow) |
| 55 | 0051 246 | Sicherheitsetik./Pictogramm | safety label |

- Ⓓ Esprit 40 BA 4005 000, Serie B - D, Achse, Räder, Höhenverstellung
- ⒼⒷ Esprit 40 BA 4005 000, Series B - D, Axle, Wheels, Height-adjustment



Esprit 40 BA Achse, RÄder, Hohenverstellung
Esprit 40 BA Axle, Wheels, Height-adjustment

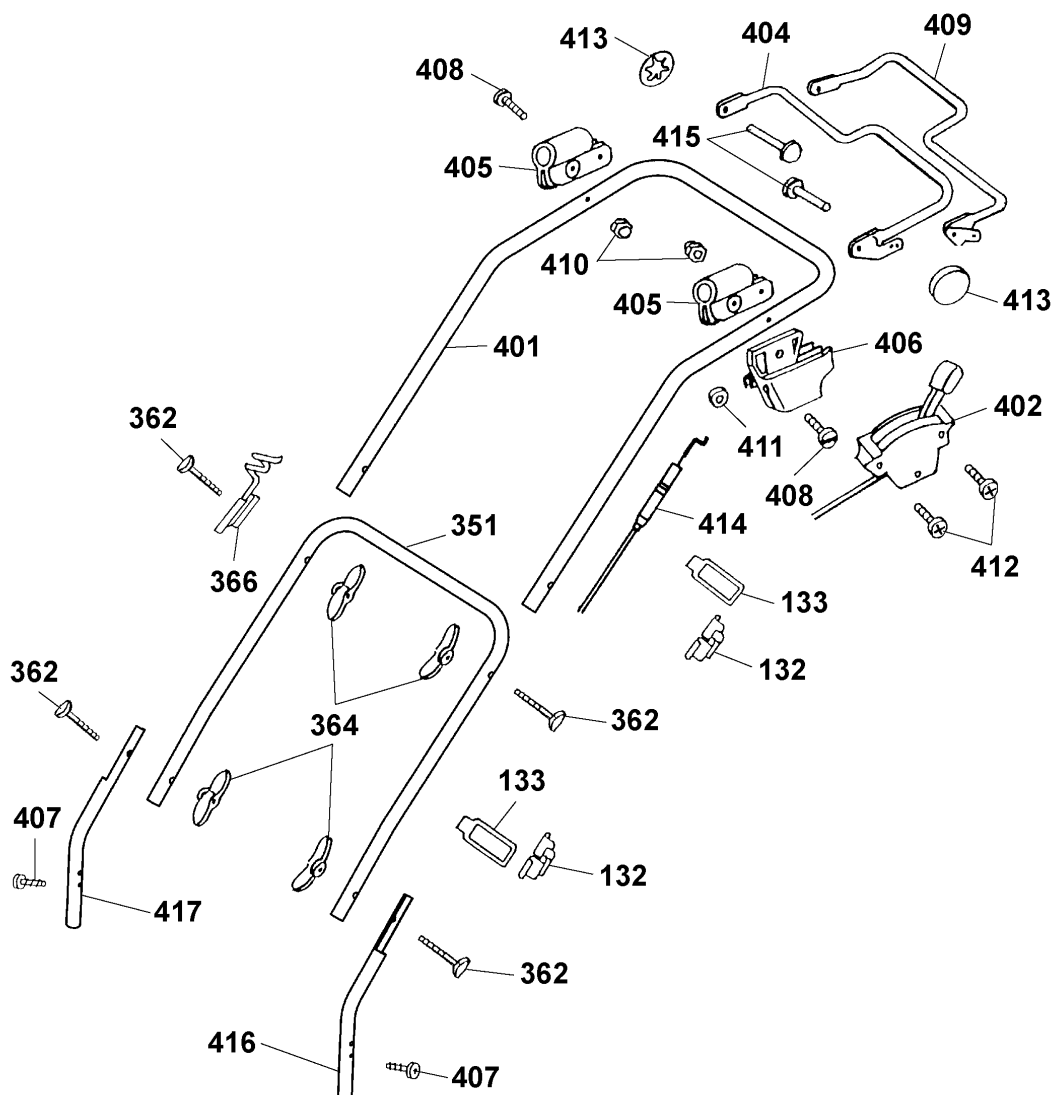
| Bild-Nr. / Ref. No. | Best.-Nr. / Part No. | Bezeichnung | Description |
|------------------------|-------------------------|------------------------------------|---|
| 9 | 4961 512 | Rasthebel | lock lever |
| 11 | 0010 931 | Schraube (4 Stuck) | screw (4 pieces) |
| 12 | 4001 110 | Fhrung | guiding |
| 17 | 0018 878 | Spannstift | dowel pin |
| 18 | 4961 514 | Zugfeder | tension spring |
| 19 | 4961 107 | Zugfeder Verbindungsst. | tension spring connect. rod |
| 20 | 4001 504 | Verbindungsstange | connecting rod |
| 22 | 0020 981 | SL-Sicherung | retaining clip |
| 23 | 4001 306 | Hohenanzeiger | height-position indicator |
| 36 | 0010 893 | SF-Schraube (2 Stuck) | screw (2 pieces) |
| 174 | 1097 000 | Getriebe | gear |
| 179 | 1097 201 | Keilriemenscheibe | v-belt pulley |
| 180 | 1097 202 | Spannstift | dowel pin |
| 182 | 1097 200 | Getriebehebel | gear lever |
| 183 | 0017 120 | Scheibe | washer |
| 184 | 0016 310 | 6-kt. Mutter | nut |
| 250 | 0017 112 | Scheibe (2 Stuck) | washer (2 pieces) |
| 251 | 6340 050 | Rad 170 mm Ø (2 Stuck) | wheel 170 mm dia. (2 pieces) |
| *** | 4960 516 | Kugell., Kunstst. (2 St./Rad) | ball bearing, plastic (2 p./wh.) |
| 252 | 4605 050 | Antriebsrad 200 mm Ø (2 Stuck) | driving wheel 200 mm dia. (2 pieces) |
| *** | 6340 516 | Kugellager, Stahl (2 St./Rad) | ball bearing, steel (2 p./wheel) |
| 253 | 0020 700 | Schnellbefestiger (2 Stuck) | quick-fixing device (2 pieces) |
| 254 | 6450 520 | Radkappe 170 mm Ø (2 St.) | hub cap 170 mm dia. (2 p.) |
| 255 | 6450 530 | Radkappe 200 mm Ø (2 St.) | hub cap 200 mm dia. (2 p.) |
| 256 | 4955 327 | Deckel (2 Stuck) | wheel cap (2 pieces) |
| 257 | 4005 031 | Achsrohr, hinten | axle pipe, rear |
| 261 | 4015 100 | Zuganker | tension rod |
| *** | 4005 030 | Antriebsachse kpl. mit RÄdern | driving axle compl. with wheels |

Esprit 40 BA Achse, RÄder, Hhenverstellung
Esprit 40 BA Axle, Wheels, Height-adjustment

| Bild-Nr. / Ref. No. | Best.-Nr. / Part No. | Bezeichnung | Description |
|--------------------------------|---------------------------------|-------------------------|-------------------------|
| 266 | 4605 328 | Schutzrohr | protecting tube |
| 267 | 0020 010 | Ringsicherung (4 Stck) | circlip (4 pieces) |
| 268 | 4725 025 | Kupplungsritzel, rechts | coupling pinion, right |
| 269 | 4725 026 | Kupplungsritzel, links | coupling pinion, left |
| 270 | 0023 147 | Kugellager (2 Stck) | ball bearing (2 pieces) |
| 272 | 4005 101 | Lasche | bracket |
| 273 | 0016 311 | Stoppmutter | stop nut |
| 301 | 4961 011 | Achse, vorne | axle, front |

D Esprit 40 BA 4005 000, Serie B - D, Griff kpl.

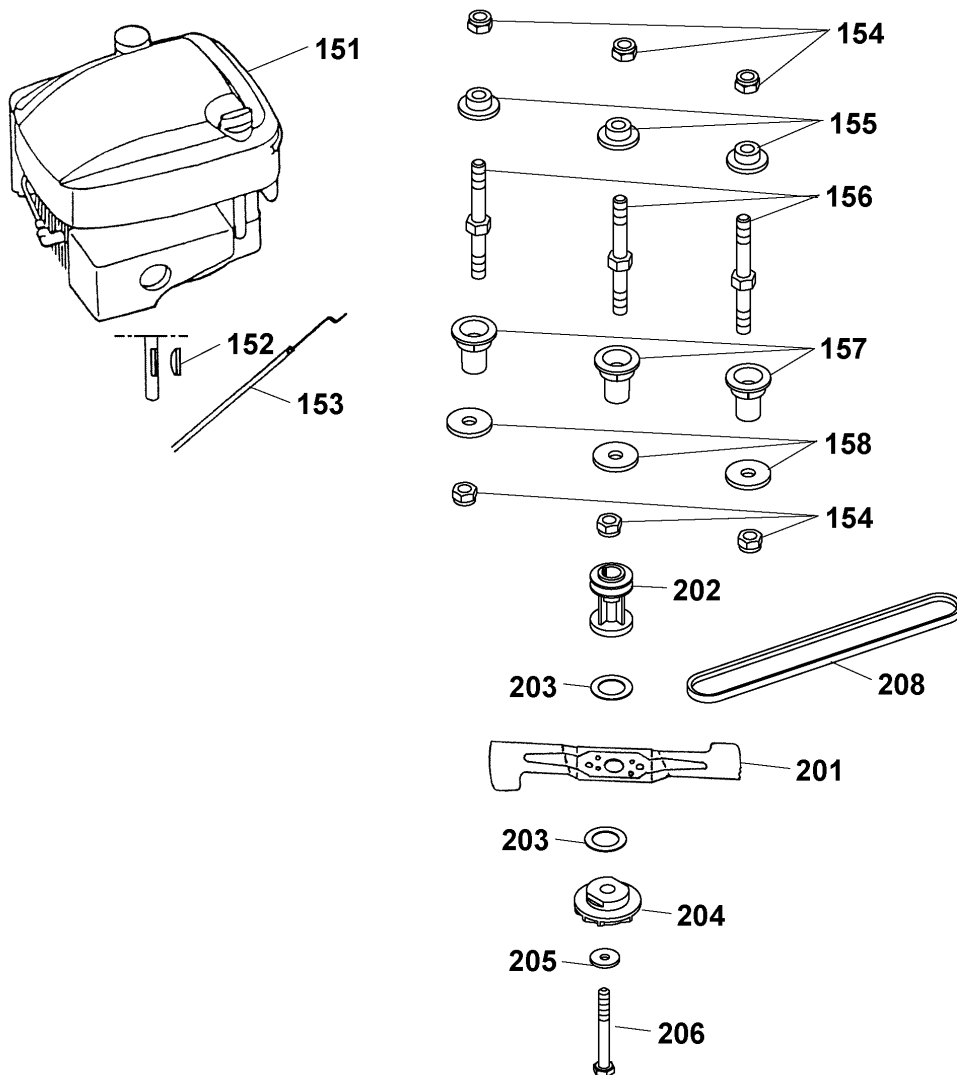
GB Esprit 40 BA 4005 000, Series B - D, Handlebar compl.



Esprit 40 BA Griff kpl.
Esprit 40 BA Handlebar compl.

| Bild-Nr. / Ref. No. | Best.-Nr. / Part No. | Bezeichnung | Description |
|------------------------|-------------------------|--------------------------------------|-------------------------------|
| 132 | 6340 312 | Klammer (4 St¼ck) | clamp (4 pieces) |
| 133 | 6340 314 | Schlaufe (4 St¼ck) | strap (4 pieces) |
| 351 | 4001 122 | Griffunterteil | lower handlebar |
| 362 | 4901 101 | Verbindungsschr. (4 St.) | binding screw (2 pieces) |
| 364 | 0016 717 | Fl¼gelmutter (4 St¼ck) | wing nut (2 pieces) |
| 366 | 6340 014 | Seilf¼hrung | routing |
| 401 | 4001 031 | Griffoberteil | upper handlebar |
| 402 | 4001 057 | SchaltgehÄuse mit Bowdenzug, Gas | case with bowden wire, gas |
| 404 | 4015 013 | Bremshebel | brake lever |
| 405 | 4720 105 | Schelle (2 St¼ck) | clamp (2 pieces) |
| 406 | 4015 306 | Doppelst¼tze | double support |
| 407 | 0015 660 | Blech-Schraube (2 St¼ck) | sheet metal screw (2 p.) |
| 408 | 0012 211 | Zylinderschraube (2 St.) | screw (2 pieces) |
| 409 | 4015 035 | Kupplungshebel | coupling lever |
| 410 | 0016 641 | Hutmutter (2 St¼ck) | nut (2 pieces) |
| 411 | 4240 205 | Distanzscheibe | washer |
| 412 | 0012 886 | PT-Schraube (2 St¼ck) | screw (2 pieces) |
| 413 | 3585 503 | Hutclips (2 St¼ck) | retainer (2 pieces) |
| 414 | 4005 055 | Bowdenzug, Antrieb | bowden wire, drive |
| 415 | 0018 107 | Bolzen (2 St¼ck) | bolt (2 pieces) |
| 416 | 4001 125 | Rohrst¼ck links | handlebar holder, left |
| 417 | 4001 127 | Rohrst¼ck rechts | handlebar holder, right |
| *** | 0054 320 | Gebrauchsanweisung | operator manual |

- Ⓓ Esprit 40 BA 4005 000, Serie B - D, Motor, Messer
- ⒼⒷ Esprit 40 BA 4005 000, Series B - D, Motor, Blade

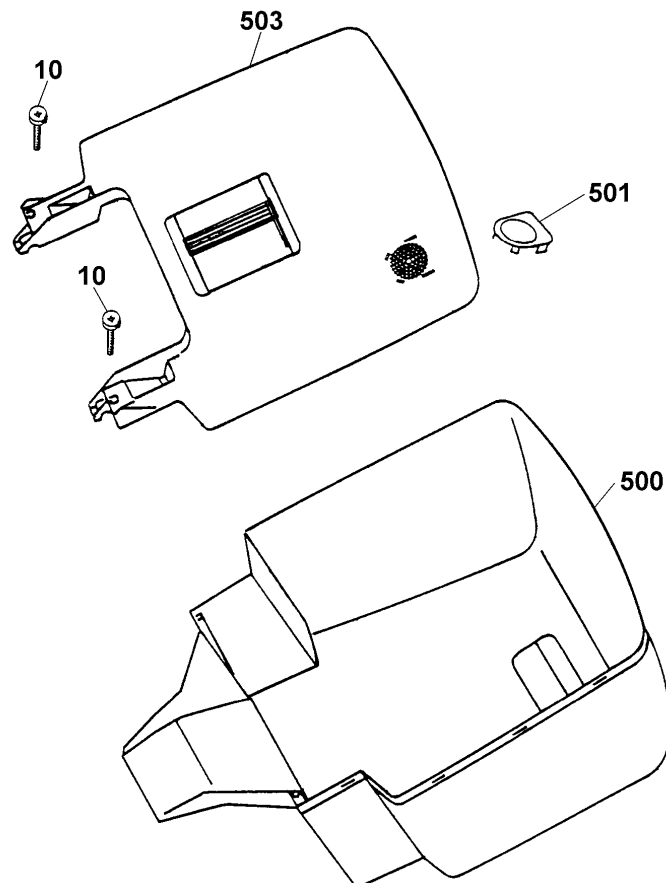


Esprit 40 BA Motor, Messer
Esprit 40 BA Motor, Blade

| Bild-Nr. / Ref. No. | Best.-Nr. / Part No. | Bezeichnung | Description |
|--------------------------------|---------------------------------|-------------------------------------|---|
| 151 | 2056 000 | Motor "Quattro 40" (Serie B - C) | motor "Quattro 40" (Series B - C only) |
| 151 | 2069 070 | Motor "Quantum 50 XTE" (Serie D) | motor "Quantum 50 XTE" (Series D) |
| 152 | 0029 130 | Scheibefeder | woodruff key |
| 153 | 4005 058 | Bowdenzug, Bremse | bowden wire, brake |
| 154 | 0016 312 | 6kt.-Mutter (6 St¼ck) | hex. nut (6 pieces) |
| 155 | 4001 172 | Motorbuchse (3 St¼ck) | motor bush (3 pieces) |
| 156 | 4001 170 | Stehbolzen (3 St¼ck) | stud bolt (3 pieces) |
| 157 | 4601 312 | Distanzh¼lse (3 St¼ck) | spacer (3 pieces) |
| 158 | 0017 111 | Scheibe (3 St¼ck) | washer (3 pieces) |
| 201 | 4001 095 | Messer VI 40 B | blade VI 40 B |
| 202 | 4605 402 | Antriebsscheibe | coupling |
| 203 | 4005 403 | Kupplungsbelag (2 St¼ck) | clutch facing (2 pieces) |
| 204 | 4840 402 | Kupplungsscheibe | coupling disc |
| 205 | 0017 105 | Spannscheibe | strain washer |
| 206 | 0010 264 | 6kt.-Schraube | hex. screw |
| 208 | 0039 210 | Kielriemen | v-belt |

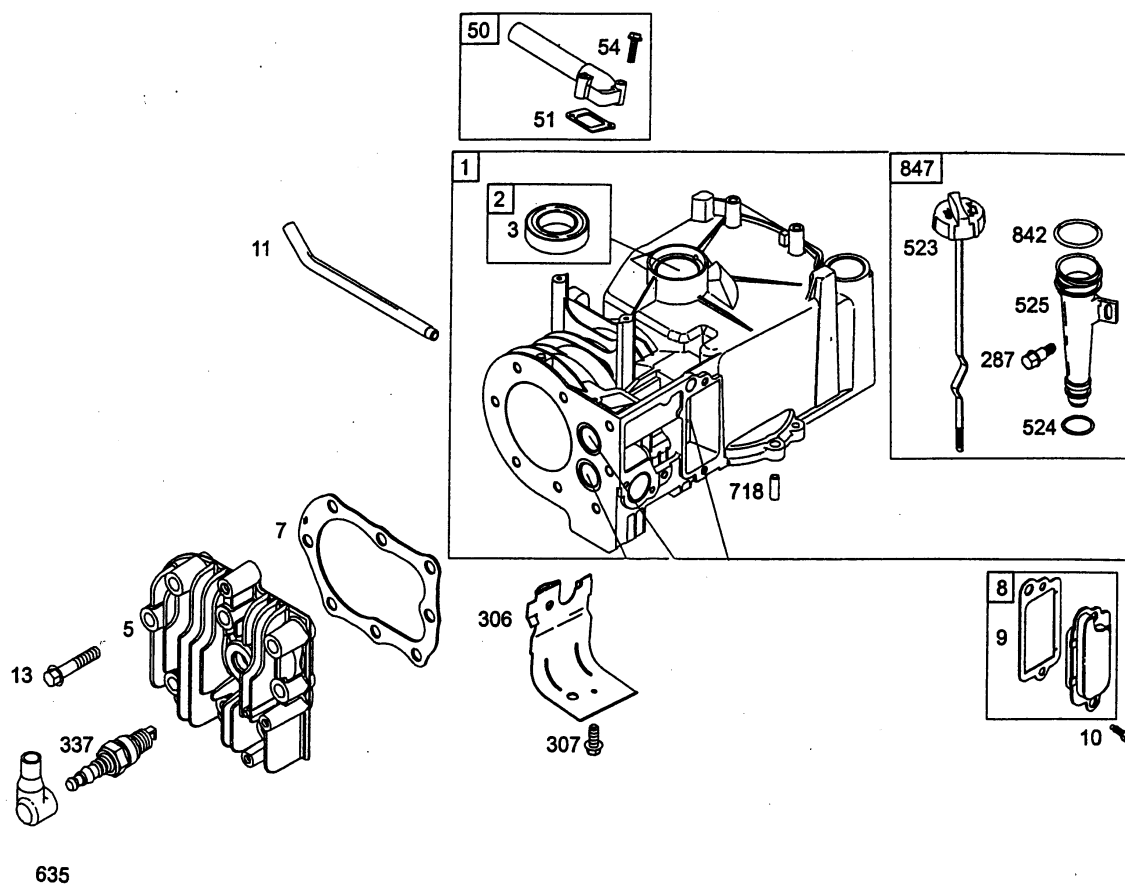
(D) Fangkorb komplett 4961 065

(GB) Grass box compl. 4961 065



| Bild-Nr. / Ref. No. | Best.-Nr. / Part No. | Bezeichnung | Description |
|------------------------|-------------------------|--------------------|----------------------|
| 10 | 0012 631 | Schraube (2 St¼ck) | screw (2 pieces) |
| 500 | 4961 311 | Fangkorbunterteil | grass box under part |
| 501 | 4906 315 | Verschlussdeckel | cap |
| 503 | 4961 061 | Fangkorboberteil | grass box upper part |

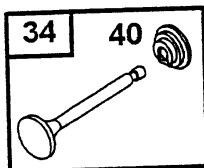
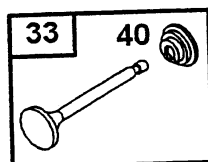
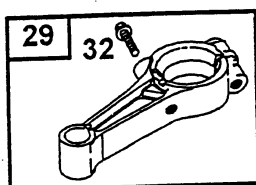
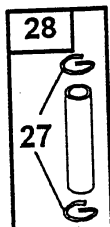
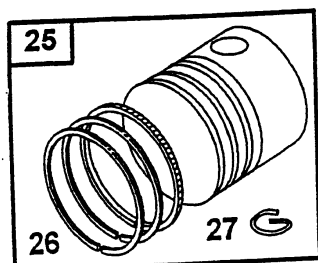
Quattro 40 KurbelgehÄuse
Quattro 40 cylinder assembly



Quattro 40 KurbelgehÄuse
Quattro 40 Cylinder assembly

| Bild-Nr. / Ref. No. | Best.-Nr. / Part No. | Bezeichnung | Description | Part No. B & S |
|--------------------------------|---------------------------------|----------------------|------------------------|-------------------------------|
| 1 | 2007 100 | Zylinder | cylinder assembly | 399164 |
| 2 | 2059 102 | Rep.-Satz | kit-bushing/seal | 399269 |
| 3 | 2057 352 | Simmering-oben | seal-oil | 299819 |
| 5 | 2056 164 | Zylinderkopf | head-cylinder | 690386 |
| 7 | 2056 159 | Zylinderkopfdichtung | gasket-cylinder head | 692288 |
| 8 | 2056 166 | EntlÄfterventil kpl. | breather assembly | 495785 |
| 9 | 1034 301 | Dichtung-EntlÄfter | gasket-breather | 272602 |
| 10 | 1034 302 | Schraube | screw | 691666 |
| 11 | 2056 167 | Leitung | tube-breather | 691245 |
| 13 | 2062 501 | Schraube | screw | 691640 |
| 50 | 1034 227 | Ansaugrohr-Eingang | manifold-intake | 693446 |
| 51 | 1034 222 | Eingangsdichtung | gasket-intake | 270345 |
| 54 | 2056 168 | Schraube | screw | 691111 |
| 287 | 2006 304 | Schraube | screw | 691002 |
| 306 | 2056 170 | Leitblech | shield-cylinder | 690400 |
| 307 | 2063 120 | Schraube | screw | 690345 |
| 337 | 2085 300 | ZÄndkerze | plug-spark | 992041 |
| 523 | 2056 173 | Ölmesstab | dipstick | 692040 |
| 524 | 2007 205 | O-Ring Ölrrohr | seal-deapstick tube | 691876 |
| 525 | 2003 203 | ÖleinfÄllrohr | tube-dipstick | 691320 |
| 635 | 1034 435 | ZÄndkerzenstecker | boot-spark plug | 66538 |
| 718 | 2057 117 | Paßstift | pin-locating | 690959 |
| 842 | 2056 160 | O-Ring Meßstab | o-ring seal | 691870 |
| 847 | 2056 176 | ÖleinfÄllrohr kpl. | dipstick/tube assembly | 691440 |

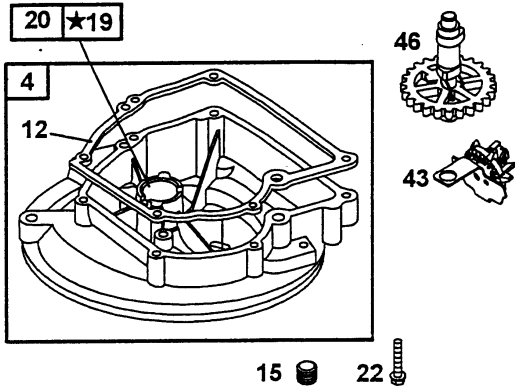
Quattro 40 Kolben, Pleuel, Ventile
Quattro 40 piston, connecting rod, valve



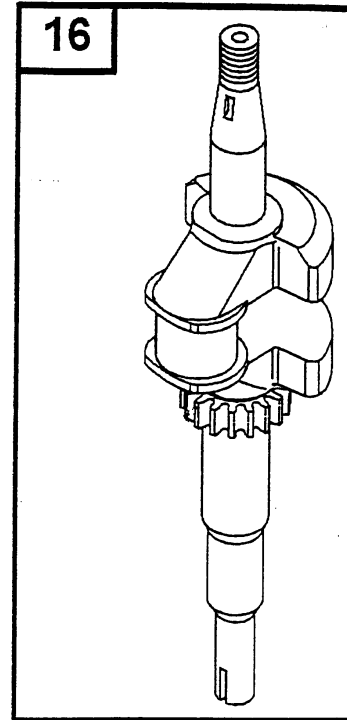
Quattro 40 Kolben, Pleuel, Ventile
Quattro 40 Piston, Connecting rod, Valves

| Bild-Nr. / Ref. No. | Best.-Nr. / Part No. | Bezeichnung | description | Part No. B & S |
|--------------------------------|---------------------------------|--------------------|------------------------|-------------------------------|
| 25 | 2056 161 | Kolben | piston assembly | 498668 |
| 26 | 2056 057 | Kolbenringsatz | ring set | 498680 |
| 27 | 1034 113 | Sicherung | lock-piston pin | 26026 |
| 28 | 1034 114 | Kolben-Bolzen kpl. | pin-piston (standard) | 298909 |
| 29 | 2056 163 | Pleuel | rod-connecting | 496792 |
| 32 | 2059 115 | Schraube | screw | 691664 |
| 33 | 1034 213 | Ventil-Auslaß | valve-exhaust | 296676 |
| 34 | 1034 214 | Ventil-Einlaß | valve-intake | 296677 |
| 35 | 1034 215 | Feder-Einlaß | spring-valve (intake) | 690520 |
| 36 | 1034 215 | Feder-Auslaß | spring-valve (exhaust) | 690520 |
| 40 | 1034 217 | Ventilteller | retainer-valve | 692194 |
| 45 | 1034 218 | Ventilstoelßel | tappet-valve | 230173 |

Quattro 40 Kurbelwelle, Ölwanne
Quattro 40 crankshaft, sump bases



24 



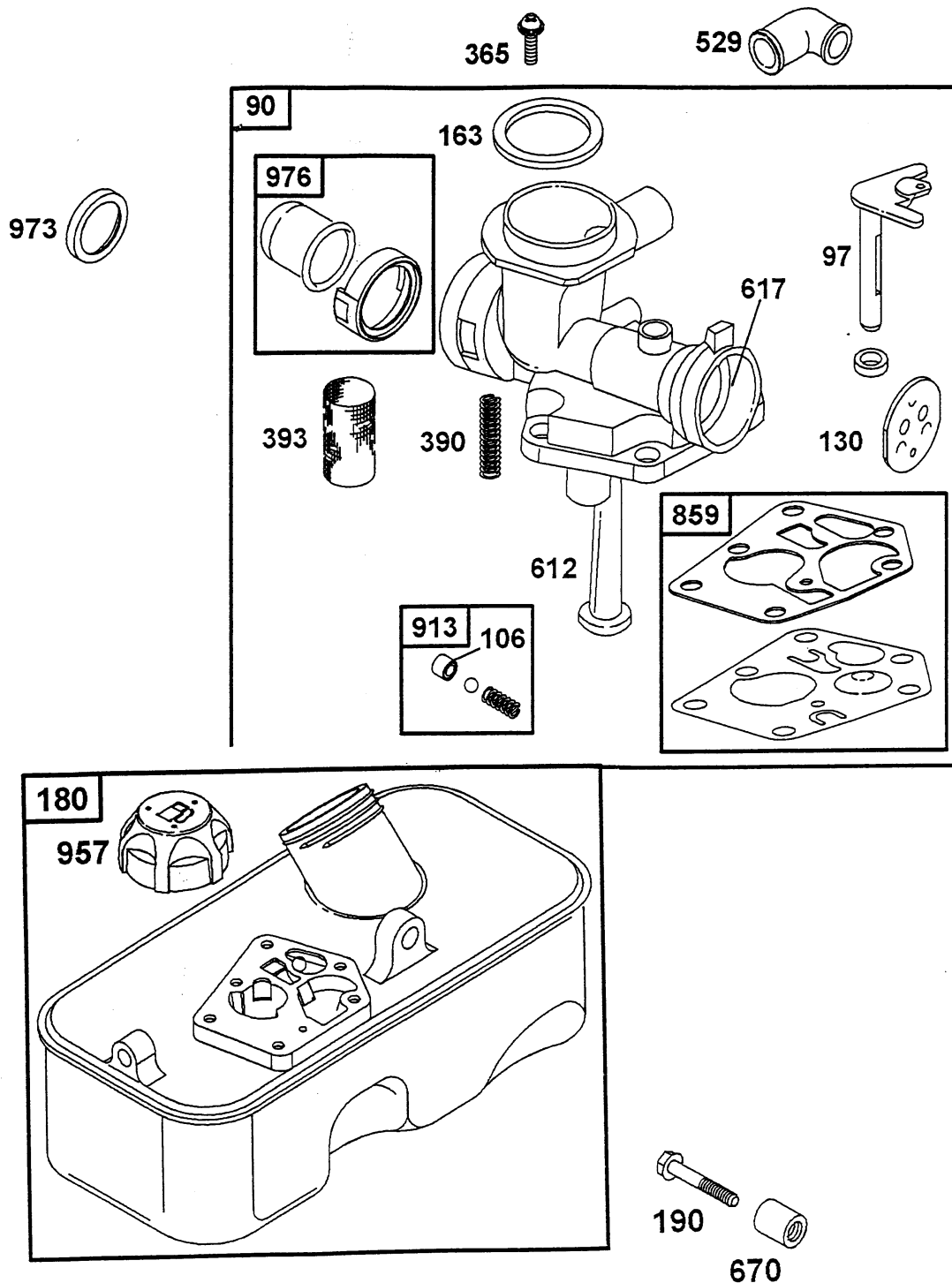
377 

Quattro 40 Kurbelwelle, Ölwanne
Quattro 40 Crankshaft, Sump bases

| Bild-Nr. / Ref. No. | Best-Nr. / Part No. | Bezeichnung | Description | Part No. B & S |
|--------------------------------|--------------------------------|--------------------|----------------------|-------------------------------|
| 4 | 2056 133 | Ölwanne | sump-engine | 395384 |
| 12 | 1007 201 | Dichtung | gasket-crankcase | 692218 |
| 15 | 2058 204 | Ölablaßschraube | plug-oil drain | 691680 |
| 16 | 2056 190 | Kurbelwelle | crankshaft | 691471 |
| 19 | 1034 205 | Rep.-Buchse | kit bushing/seal | 293709 |
| 20 | 2056 304 | Wellendichtring | seal-oil | 391483 |
| 22 | 2056 134 | Schraube | screw | 691662 |
| 24 | 2057 130 | Schwungradkeil | key-flywheel | 222698 |
| 43 | 2056 135 | Regler | slinger-governor/oil | 691983 |
| 46 | 2056 136 | Nockenwelle | camshaft | 691998 |
| 377 | 0029 055 | Kurbelwellenkeil | key | 692193 |

NR:4005 000 Bezeichnung: Esprit 40 BA Gruppe: BenzinmÄher Jahr: 03 Typ: B, C, D

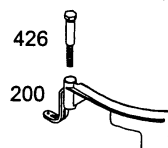
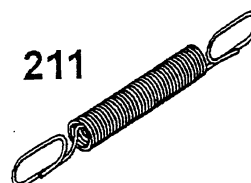
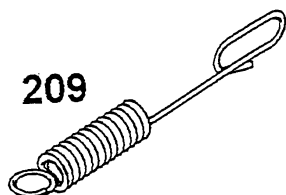
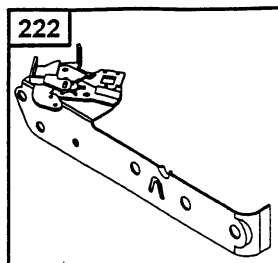
Quattro 40 Vergaser, Tank
Quattro 40 carburetor, fuel tank



Quattro 40 Vergaser, Tank
Quattro 40 Carburetor, Fuel tank

| Bild-Nr. / Ref. No. | Best.-Nr. / Part No. | Bezeichnung | Description | Part No. B & S |
|--------------------------------|---------------------------------|-----------------------|--------------------|-------------------------------|
| 90 | 2056 056 | Vergaser kpl. | carburetor | 498811 |
| 97 | 2056 145 | Welle | shaft-trottle | 691931 |
| 106 | 2056 146 | Dichtung | inlet seat | 691901 |
| 130 | 2056 147 | Drosselklappe | valve-throttle | 691190 |
| 163 | 2056 148 | Dichtung-Luftfilter | gasket-air cleaner | 271139S |
| 180 | 2056 055 | Tank kpl. | fuel-tank | 494406 |
| 190 | 2062 501 | Schraube | screw | 691697 |
| 365 | 2056 149 | Schraube | screw | 692200 |
| 390 | 2056 150 | Feder | spring-diaphragm | 691839 |
| 393 | 2056 151 | Sieb | screen-carburetor | 691837 |
| 529 | 2056 152 | Kniestck | grommet | 692189 |
| 612 | 2056 154 | Rohr | tube-pickup | 496046S |
| 617 | 2056 155 | Dichtung | seal o-ring | 270344S |
| 670 | 2067 501 | Hlse | spacer-fuel tank | 94047 |
| 859 | 2056 417 | Membrane mit Dichtung | membrane w. seal | 495770 |
| 913 | 2056 156 | Ventilsitz | seat-check valve | 494409 |
| 957 | 2056 144 | Tankdeckel | cap-fuel tank | 497929 |
| 973 | 2056 157 | O-Ring | ring-trim | 691347 |
| 976 | 2056 158 | Primer kpl. | primer-carburetor | 494408 |

Quattro 40 Regelung
Quattro 40 controls electrical

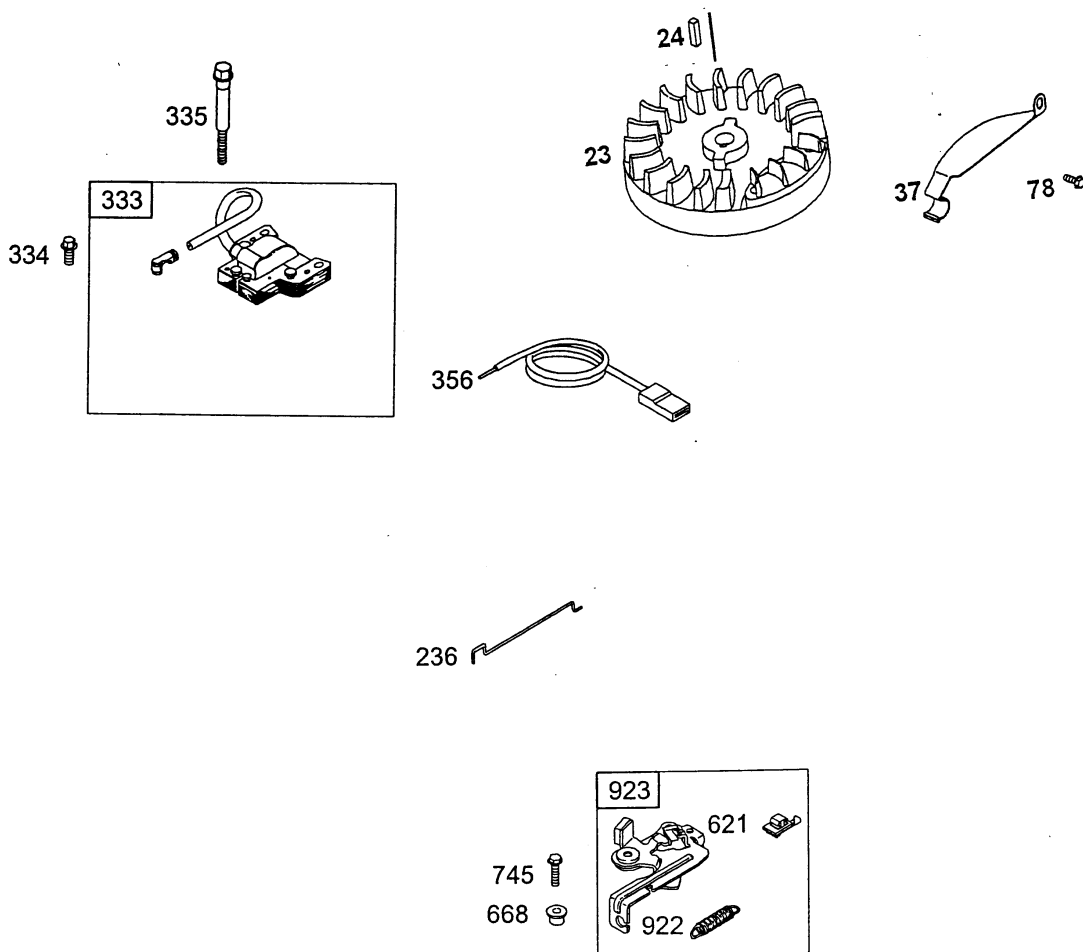


B14

Quattro 40 Regelung
Quattro 40 Controls electrical

| Bild-Nr. / Ref. No. | Best.-Nr. / Part No. | Bezeichnung | Description | Part No. B & S |
|--------------------------------|---------------------------------|--------------------|--------------------|-------------------------------|
| 188 | 2063 314 | Schraube | hexagon screw | 690297 |
| 200 | 2056 169 | Windfahne | blade-governor | 691912 |
| 201 | 2056 131 | GestÄnge | link-governor | 690347 |
| 209 | 2056 138 | Vollgasfeder | spring governor | 690254 |
| 211 | 2056 139 | Leerlauffeder | spring governor | 691859 |
| 222 | 2056 132 | Reglerplatte | bracket-control | 691445 |
| 265 | 2063 312 | Schelle | clamp-casing | 690798 |
| 267 | 2063 313 | Schraube | screw | 691044 |
| 426 | 2056 172 | Schraube | screw | 691107 |

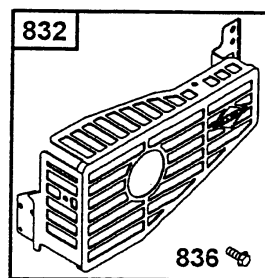
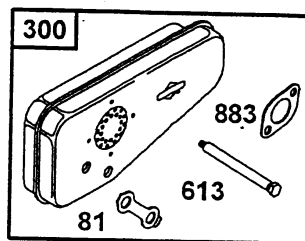
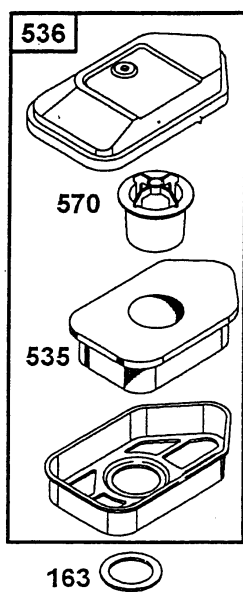
Quattro 40 Polrad, Zündspule, Bremse
Quattro 40 flywheel, electrical, brake



Quattro 40 Polrad, Zündspule, Bremse
Quattro 40 Flywheel, Electrical, Brake

| Bild-Nr. / Ref. No. | Best.-Nr. / Part No. | Bezeichnung | Description | Part No. B & S |
|--------------------------------|---------------------------------|--------------------|--------------------|-------------------------------|
| 23 | 2056 184 | Schwungrad | fleywheel | 692009 |
| 24 | 2057 130 | Schwungradkeil | key-fleywheel | 222698 |
| 37 | 2056 178 | Schutzblech | guard-fleywheel | 690482 |
| 78 | 2063 314 | Schraube | screw | 690297 |
| 236 | 2059 312 | GestÄnge | link-lockout | 691826 |
| 333 | 2003 051 | Zündspule | armature-magneto | 496914 |
| 334 | 2003 103 | Schraube | screw | 691061 |
| 335 | 2003 104 | Schraube | screw | 691107 |
| 356 | 2057 183 | Kurzschlußkabel | wire-stop | 692390 |
| 621 | 2063 131 | Stopschalter | switch-stop | 692310 |
| 668 | 2063 221 | Hülse | spacer | 692889 |
| 745 | 2056 140 | Schraube | screw | 691146 |
| 922 | 2056 141 | Feder | spring-brake | 692135 |
| 923 | 2056 142 | Bremse | brake | 691487 |

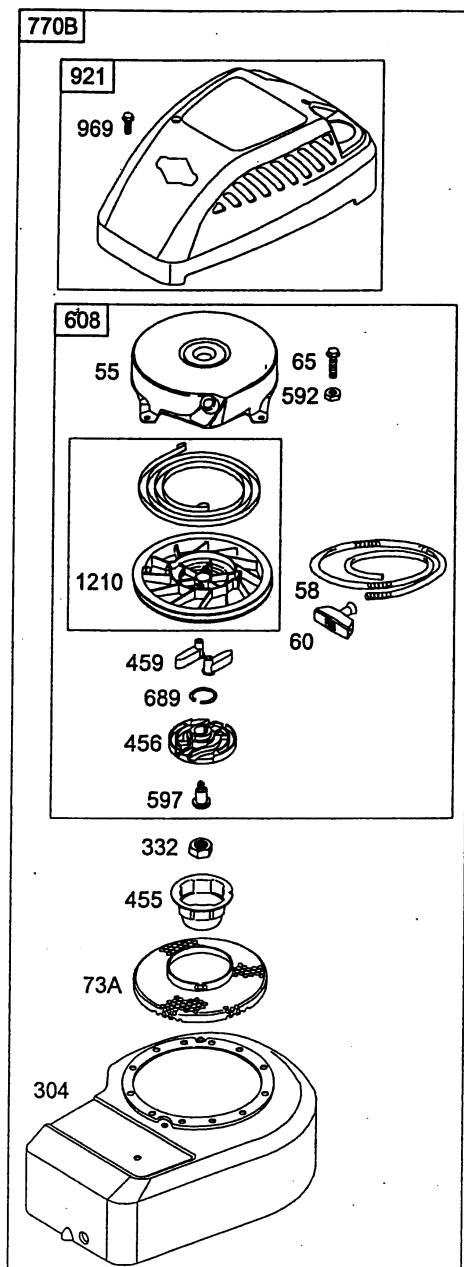
Quattro 40 Luftfilter, SchalldÄmpfer
Quattro 40 air cleaner, muffler



Quattro 40 Luftfilter, SchalldÄmpfer
Quattro 40 Air cleaner, Muffler

| Bild-Nr. / Ref. No. | Best.-Nr. / Part No. | Bezeichnung | Description | Part No. B & S |
|--------------------------------|---------------------------------|---------------------|-------------------------|-------------------------------|
| 81 | 2056 119 | Sicherung | lock muffler screw | 691179 |
| 163 | 1007 503 | Dichtung-Luftfilter | gasket-air cleaner | 271139 |
| 300 | 2056 309 | SchalldÄmpfer | Muffler | 394644 |
| 534 | 2002 408 | Schraube | screw (air-cleaner) | 691417 |
| 535 | 2056 305 | Luftfiltereinsatz | filter-air cleaner foam | 272235 |
| 536 | 2056 301 | Luftfilter kpl. | cleaner-air compl. | 493492 |
| 570 | 2056 306 | Lagerdeckel | support-foam element | 691911 |
| 613 | 2007 206 | Schraube | screw | 93935 |
| 832 | 2056 118 | Berührungsschutz | guard | 494896 |
| 836 | 2057 108 | Schraube | screw | 94874 |
| 883 | 2056 310 | Dichtung-Auspuff | gasket-muffler | 272252 |

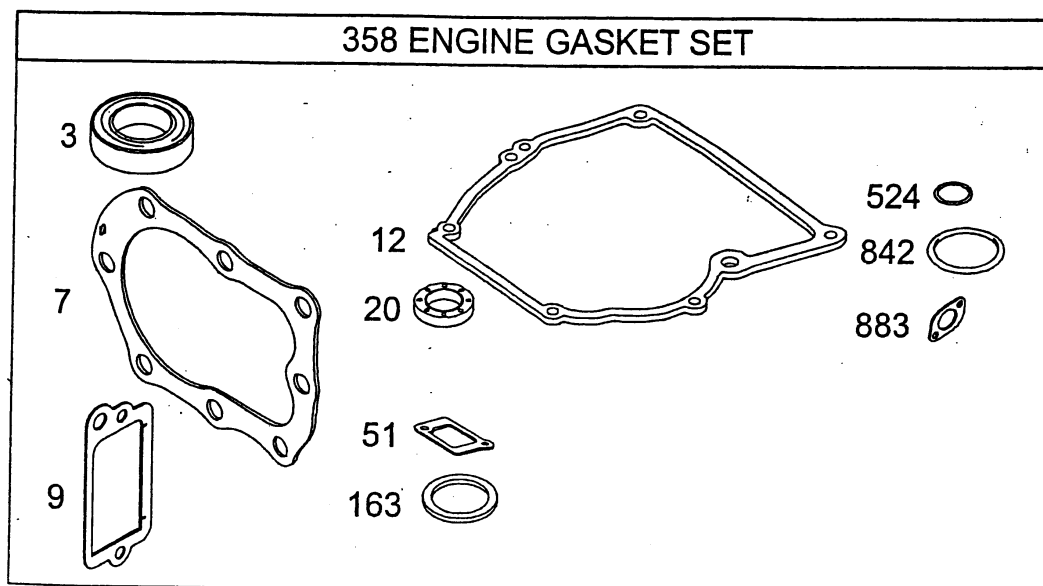
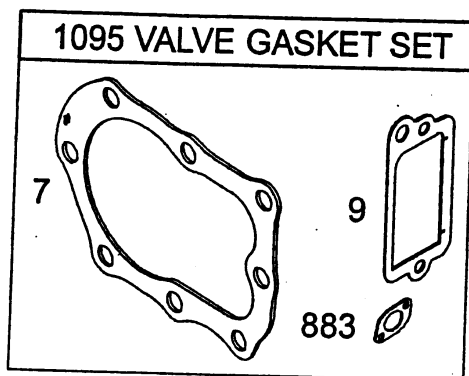
Quattro 40 Abdeckung, Starter
Quattro 40 covers, blower housing



Quattro 40 Abdeckung, Starter
Quattro 40 Cover, Blower housing

| Bild-Nr. / Ref. No. | Best.-Nr. / Part No. | Bezeichnung | Description | Part No. B & S |
|--------------------------------|---------------------------------|---------------------------|---------------------|-------------------------------|
| 55 | 2056 121 | StartergehÄuse | housing-rewind | 692144 |
| 58 | 2056 122 | Starterseil | rope-starter | 692259 |
| 60 | 2056 123 | Handgriff | grip-starter rope | 691915 |
| 65 | 1001 158 | Schraube | screw | 690837 |
| 73A | 2056 300 | Fingerschutz | screen-rotating | 691235 |
| 304 | 2056 311 | LÄfterhaube | housing-blower | 691484 |
| 332 | 2056 312 | Mutter | nut | 690662 |
| 455 | 2056 303 | Starterglocke | cup-flywheel | 691236 |
| 456 | 2056 313 | Klinkenscheibe | plate-pawl friction | 692299 |
| 459 | 2069 302 | Starterklinke | pawl-ratchet | 281505 |
| 592 | 1001 156 | Mutter | nut | 690800 |
| 597 | 1034 438 | Schraube | screw | 691696 |
| 608 | 2056 125 | Starter kpl. | starter-rewind | 499706 |
| 689 | 2056 185 | Sicherung | spring-friction | 691855 |
| 770B | 2056 058 | LÄfterhaube-Starter kpl. | kit-rewind/blower | 497616 |
| 921 | 2056 188 | Abdeckung | cover-blower | 694044 |
| 969 | 2056 189 | Schraube | screw | 692198 |
| 1210 | 2056 127 | Seilscheibe kpl. | pulley-starter | 499901 |

Quattro 40 Dichtungssatz
Quattro 40 gasket set

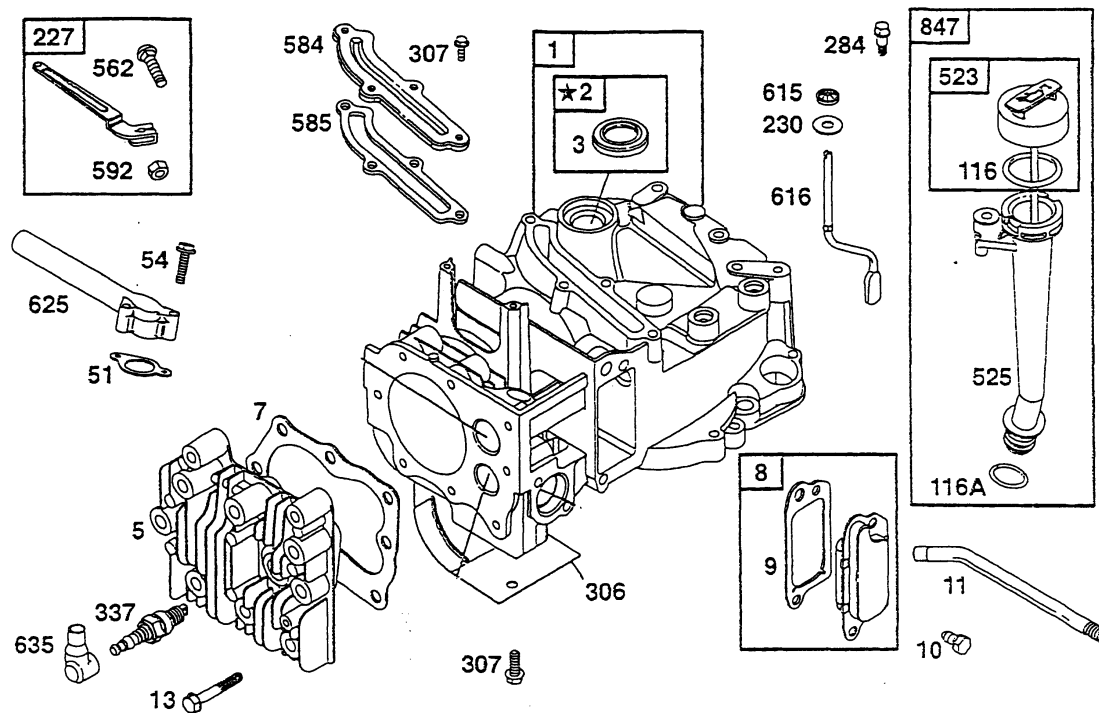


Quattro 40 Dichtungssatz
Quattro 40 Gasket set

| Bild-Nr. / Ref. No. | Best.-Nr. / Part. No. | Bezeichnung | Description | Part No. B & S |
|------------------------|--------------------------|--------------------------|----------------------|-------------------|
| 3 | 2057 352 | Simmering-oben | seal-oil | 299819 |
| 7 | 2056 159 | Zylinderkopfdichtung | gasket-cylinder head | 692288 |
| 9 | 1034 301 | Dichtung-Entlüfter | gasket breather | 272602 |
| 12 | 1007 201 | Dichtung-Ölwanne | gasket-crankcase | 692218 |
| 20 | 1007 203 | Simmering-unten | seal-oil | 391483 |
| 51 | 1034 222 | Dichtung-Eingang | gasket-intake | 270345 |
| 163 | 1007 503 | Dichtung-Luftfilter | gasket-air cleaner | 271139 |
| 358 | 1034 050 | Dichtungssatz Motor kpl. | engine gasket-set | 298989 |
| 524 | 2007 205 | O-Ring-Ölrohr | seal-dipstick tube | 691876 |
| 842 | 2056 160 | O-Ring-Meßstab | o-ring seal | 691870 |
| 1095 | 2056 117 | Dichtungssatz | valve gasket-set | 498526 |

Quantum 50 XTE KurbelgehÄuse

Quantum 50 XTE cylinder assembly



Quantum 50 XTE KurbelgehÄuse

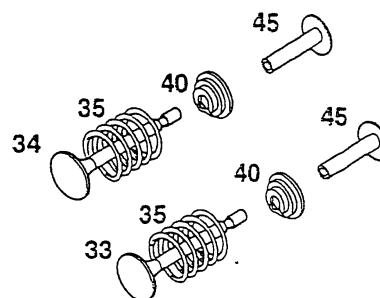
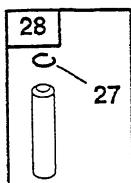
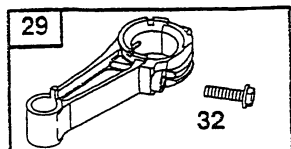
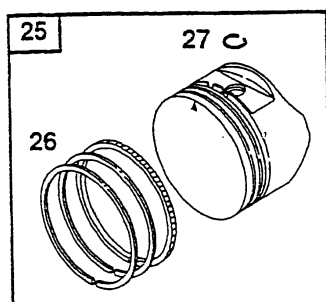
| Bild-Nr. | Best.-Nr. | Bezeichnung | Best.-Nr. B & S |
|----------|-----------|--------------------------------|--------------------|
| 1 | 2058 100 | Zylinder | 493260 |
| 2 | 1034 101 | Lagerbuchse | 293708 |
| 3 | 2057 352 | Simmerring | 299819 |
| 5 | 2069 150 | Zylinderkopf | 214626 |
| 7 | 2063 103 | Zylinderkopfdichtung | 272200 |
| 8 | 2059 300 | Dichtungsventil kpl. | 495786 |
| 9 | 2058 301 | Dichtung-(Ventilationsöffnung) | 272481 |
| 10 | 2057 137 | Schraube | 94955 |
| 11 | 2063 310 | Entlüftungsrohr | 231685 |
| 13 | 2063 108 | Schraube | 94547 |
| 51 | 2063 207 | Eingangsdichtung | 272199 |
| 54 | 2063 208 | Schraube | 94526 |
| 116 | 2063 211 | Ring | 280393 |
| 116A | 2063 216 | Ring | 280966 |
| 227 | 2063 054 | Hebel (Fliehkraftregler) | 492349 |
| 230 | 2063 116 | Scheibe | 67072 |
| 284 | 2063 316 | Schraube | 94511 |
| 306 | 2063 119 | Zylinderschutzschild | 224324 |
| 307 | 2063 120 | Schraube | 94515 |
| 337 | 2058 305 | Zündkerze | 802592 |
| 523 | 2059 206 | Ölmeßstab | 495264 |
| 525 | 2063 212 | Öleinfüllrohr | 495265 |
| 562 | 2069 139 | Schraube | 94852 |
| 584 | 2063 122 | Entlüfterdeckel | 224328 |
| 585 | 2063 209 | Dichtung | 272238 |
| 592 | 2063 123 | Mutter | 231082 |
| 615 | 2063 125 | Halter | 94474 |
| 616 | 2057 163 | Drehhebel (Kurbelantrieb) | 263175 |
| 625 | 2069 168 | Verteilereinlaß | 497465 |
| 635 | 1034 435 | Zündkerzenstecker | 66538 |
| 847 | 2059 058 | Öleinfüllrohr kpl. | 495263 |

english: see next page

Quantum 50 XTE Cylinder assembly

| Ref. No. | Part No. | Description | Part No. B & S |
|----------|----------|---------------------------|-------------------|
| 1 | 2058 100 | cylinder assembly | 493260 |
| 2 | 1034 101 | kit - bushing/seal | 293708 |
| 3 | 2057 352 | seal - oil | 299819 |
| 5 | 2069 150 | head - cylinder | 214626 |
| 7 | 2063 103 | gasket - cylinder head | 272200 |
| 8 | 2059 300 | breather assembly | 495786 |
| 9 | 2058 301 | gasket - breather | 272481 |
| 10 | 2057 137 | screw | 94955 |
| 11 | 2063 310 | tube - breather | 231685 |
| 13 | 2063 108 | screw | 94547 |
| 51 | 2063 207 | gasket - intake | 272199 |
| 54 | 2063 208 | screw | 94526 |
| 116 | 2063 211 | seal - o ring | 280393 |
| 116A | 2063 216 | seal - o ring | 280966 |
| 227 | 2063 054 | lever - governor control | 492349 |
| 230 | 2063 116 | washer | 67072 |
| 284 | 2063 316 | screw | 94511 |
| 306 | 2063 119 | shield - cylinder | 224324 |
| 307 | 2063 120 | screw | 94515 |
| 337 | 2058 305 | spark plug | 802592 |
| 523 | 2059 206 | dipstick | 495264 |
| 525 | 2063 212 | tube - dipstick | 495265 |
| 562 | 2069 139 | screw | 94852 |
| 584 | 2063 122 | cover - breather passage | 224328 |
| 585 | 2063 209 | gasket - breather passage | 272238 |
| 592 | 2063 123 | nut | 231082 |
| 615 | 2063 125 | retainer - governor shaft | 94474 |
| 616 | 2057 163 | crank - governor | 263175 |
| 625 | 2069 168 | manifold - intake | 497465 |
| 635 | 1034 435 | boot - spark plug | 66538 |
| 847 | 2059 058 | dipstick / tube assembly | 495263 |

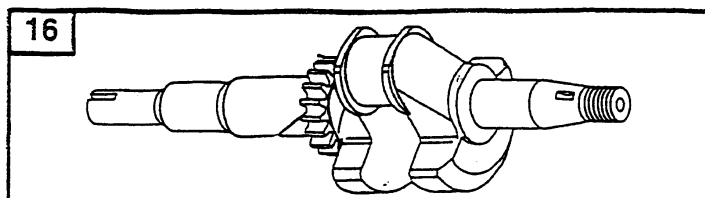
Quantum 50 XTE Kolben, Ventile
Quantum 50 XTE piston group, valve group



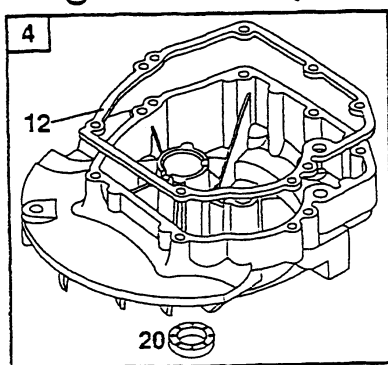
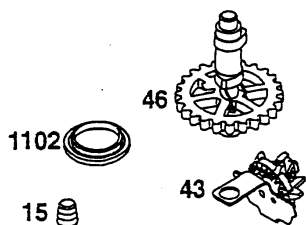
Quantum 50 XTE Kolben, Ventile
Quantum 50 XTE Piston group, Valve group

| Bild-Nr. / Ref. No. | Best.-Nr. / Part No. | Bezeichnung | Description | Part No. B & S |
|--------------------------------|---------------------------------|--------------------|--------------------|-------------------------------|
| 25 | 2069 032 | Kolben kpl. | piston assembly | 499429 |
| 26 | 2069 031 | Ringset | ring set | 499425 |
| 27 | 2057 164 | Sicherung | lock - piston pin | 263190 |
| 28 | 2057 195 | Bolzen | pin - piston | 499423 |
| 29 | 2057 196 | Pleuelstange | rod - connecting | 499424 |
| 32 | 2059 115 | Schraube | screw | 94699 |
| 33 | 2063 201 | Auslaventil | valve - exhaust | 262651 |
| 34 | 2063 202 | Einlaventil | valve - intake | 262652 |
| 35 | 2063 203 | Ventilfeder | spring - valve | 262224 |
| 40 | 1034 217 | Ventilhalter | retainer - valve | 93312 |
| 45 | 2063 204 | Ventilstel | tappet-valve | 262204 |

Quantum 50 XTE 50 Kurbelwelle, Ölwanne
Quantum 50 XTE crankshaft, sump bases



24

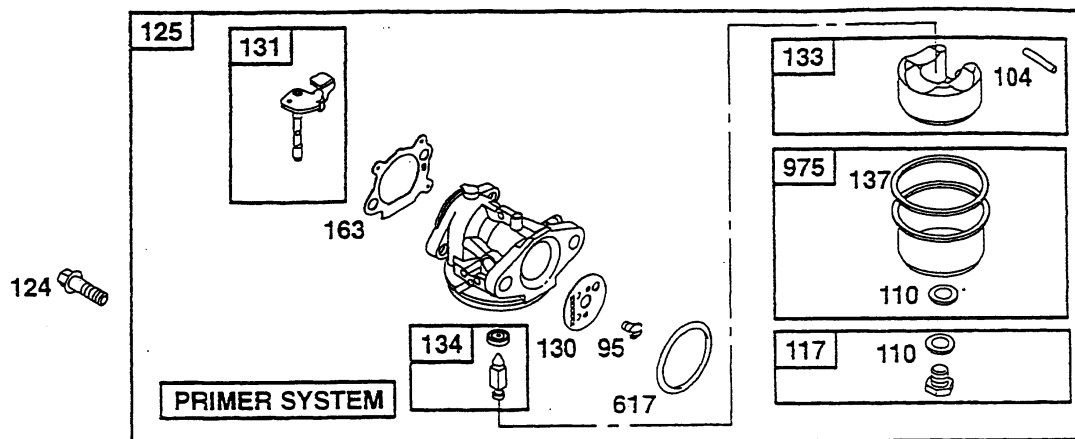


22

Quantum 50 XTE Kurbelwelle, Ölwanne
Quantum 50 XTE Crankshaft, sump bases

| Bild-Nr. / Ref. No. | Best.-Nr. / Part No. | Bezeichnung | Description | Part No. B & S |
|--------------------------------|---------------------------------|--------------------|--------------------------|-------------------------------|
| 4 | 2063 111 | Ölwanne | sump - engine | 493279 |
| 12 | 2063 107 | Dichtung | gasket - crankcase | 272198 |
| 15 | 2069 143 | Ölablaßschraube | plug - oil drain | 94880 |
| 16 | 2069 173 | Kurbelwelle 80 mm | crankshaft 80 mm | 498565 |
| 16 | 2069 178 | Kurbelwelle 62 mm | crankshaft 62 mm | 498566 |
| 20 | 2063 112 | Simmerring | seal - oil | 399781 |
| 22 | 2063 113 | Schraube | screw | 94220 |
| 24 | 2057 130 | Schwungradkeil | feather key | 222698 |
| 43 | 2063 206 | Regler | slinger - governor / oil | 493737 |
| 46 | 2069 172 | Nockenwelle | camshaft | 498275 |
| 1102 | 2057 118 | Ring | pilot - guide | 232047 |

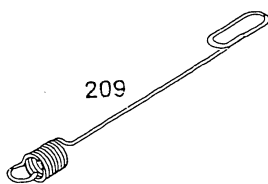
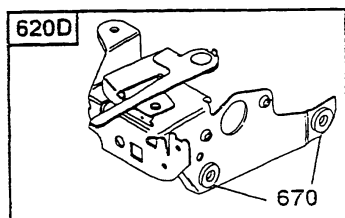
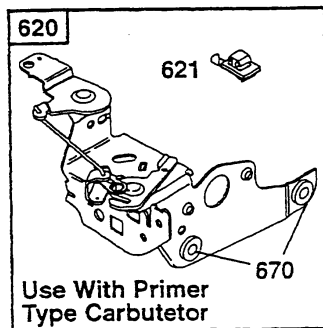
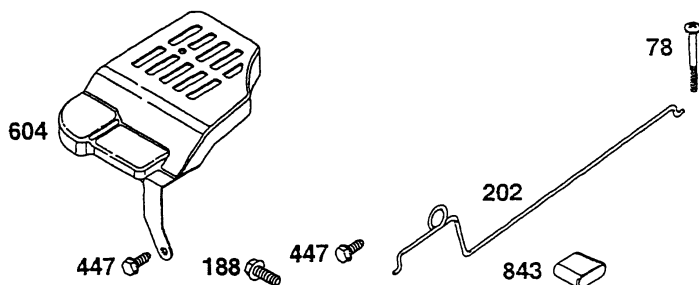
Quantum 50 XTE Vergaser (Primer System)
Quantum 50 XTE carburetor (primer system)



**Quantum 50 XTE Vergaser (Primer System)
Quantum 50 XTE Carburetor (Primer system)**

| Bild-Nr. / Ref. No. | Best.-Nr. / Part No. | Bezeichnung | Description | Part No. B & S |
|--------------------------------|---------------------------------|-------------------------|------------------------|-------------------------------|
| 95 | 2057 128 | Schraube | screw (throttle valve) | 94098 |
| 104 | 2057 120 | Stift | pin - float hinge | 231371 |
| 117 | 2057 180 | Hauptduse mit Dichtung | jet - main | 494870 |
| 124 | 2063 402 | Schraube | screw (carburetor) | 94525 |
| 125 | 2069 025 | Vergaser kpl. | carburetor compl. | 498170 |
| 130 | 2057 123 | Drosselklappe | valve - throttle | 224908 |
| 131 | 2063 403 | Drosselklappenwelle | shaft - throttle | 493267 |
| 133 | 2003 410 | Schwimmer | float - carburetor | 398187 |
| 134 | 2003 411 | Schwimmernadelventil | kit - needle/seal | 398188 |
| 163 | 2059 220 | Starterklappe | gasket - air cleaner | 272653 |
| 617 | 1034 428 | Dichtung | seal - o ring | 270344 |
| 975 | 2058 409 | Schwimmerkappe | bowl - float | 493640 |

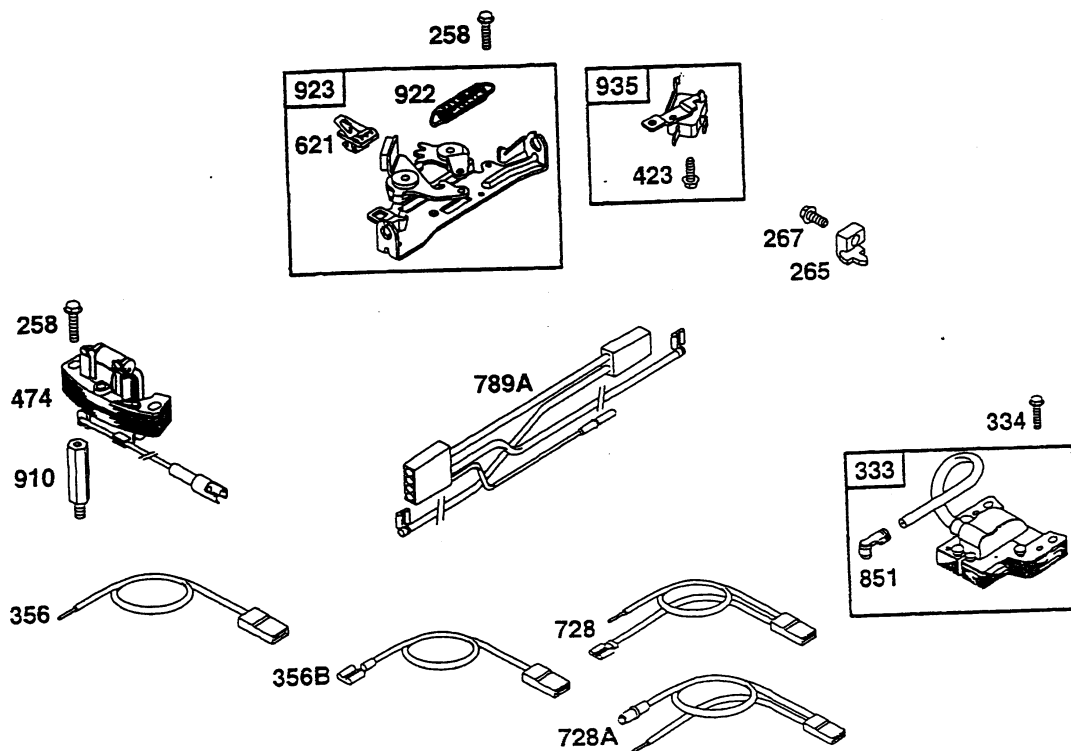
Quantum 50 XTE Regelung
Quantum 50 XTE control



**Quantum 50 XTE Regelung
Quantum 50 XTE Control**

| Bild-Nr. / Ref. No. | Best.-Nr. / Part No. | Bezeichnung | description | Part No. B & S |
|--------------------------------|---------------------------------|--------------------|-------------------------------|-------------------------------|
| 65 | 2057 108 | Schraube | screw | 94874 |
| 78 | 2069 144 | Schraube | screw | 95077 |
| 188 | 2058 405 | Schraube | screw | 94644 |
| 202 | 2063 311 | GestÄnge/Gelenk | link - mechanical governor | 262579 |
| 209 | 2057 147 | Reglerfeder | spring - governor | 263046 |
| 447 | 2058 406 | Schraube | screw | 93801 |
| 604 | 2058 400 | Abdeckung | cover - control | 224509 |
| 620 | 2069 020 | Vergasermechanik | bracket - control | 497203 |
| 620D | 2069 028 | Vergasermechanik | bracket - control | 498581 |
| 621 | 2063 129 | Ausschalter | switch - stop | 396847 |
| 670 | 2058 407 | Distanzst¼ck | spacer | 493823 |

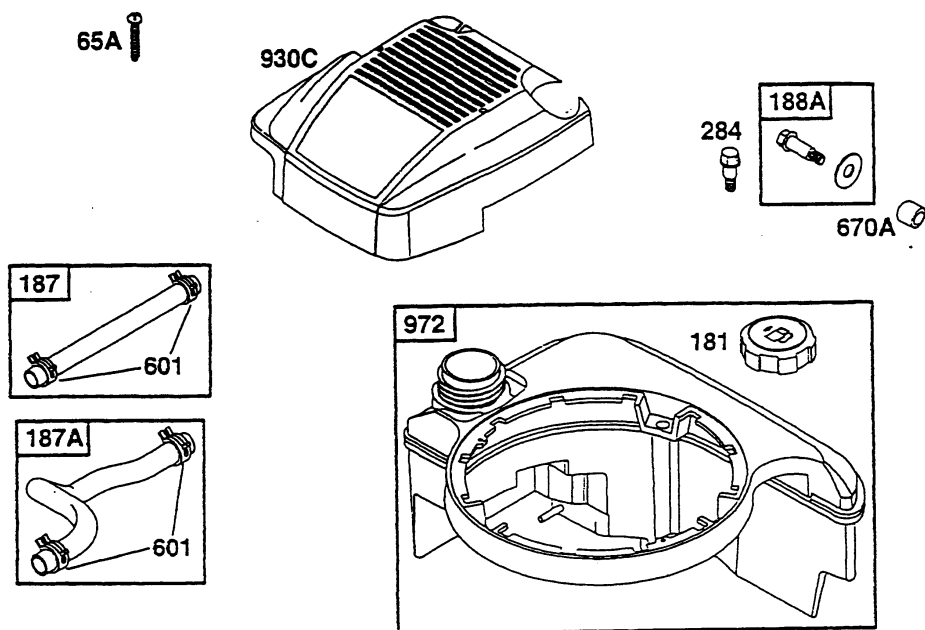
Quantum 50 XTE Zündanlage
Quantum 50 XTE electrical



Quantum 50 XTE Zندانlage
Quantum 50 XTE electrical

| Bild-Nr. / Ref. No. | Best.-Nr. / Part No. | Bezeichnung | Description | Part No. B & S |
|--------------------------------|---------------------------------|--------------------|-----------------------|-------------------------------|
| 258 | 2063 117 | Schraube | screw | 94512 |
| 265 | 2063 312 | Klammer | clamp | 213146 |
| 267 | 2059 304 | Schraube | screw | 94694 |
| 333 | 2063 056 | Zndspule | armature - magneto | 802574 |
| 334 | 2059 306 | Schraube | screw | 94731 |
| 356 | 2057 183 | Kabelbaum | wire - stop | 497833 |
| 356B | 2069 208 | Kabelbaum | wire - stop | 496037 |
| 423 | 2057 102 | Schraube | screw | 93758 |
| 474 | 2069 118 | Lichtspule | alternator | 492841 |
| 621 | 2063 129 | Ausschalter | switch - stop | 396847 |
| 728 | 2069 041 | Kabelbaum | cable form | 494714 |
| 728A | 2069 043 | Kabelbaum | cable form | 496381 |
| 789A | 2069 120 | Kabelbaum | cable form | 493380 |
| 851 | 2057 179 | Stecker | terminal - spark plug | 493880 |
| 910 | 2069 117 | Zwischenstck | stud (alternator) | 94510 |
| 922 | 2063 307 | Feder | spring - brake | 262640 |
| 923 | 2063 130 | Bremse | brake | 493442 |
| 935 | 2057 052 | Schalter | switch - interlock | 499421 |

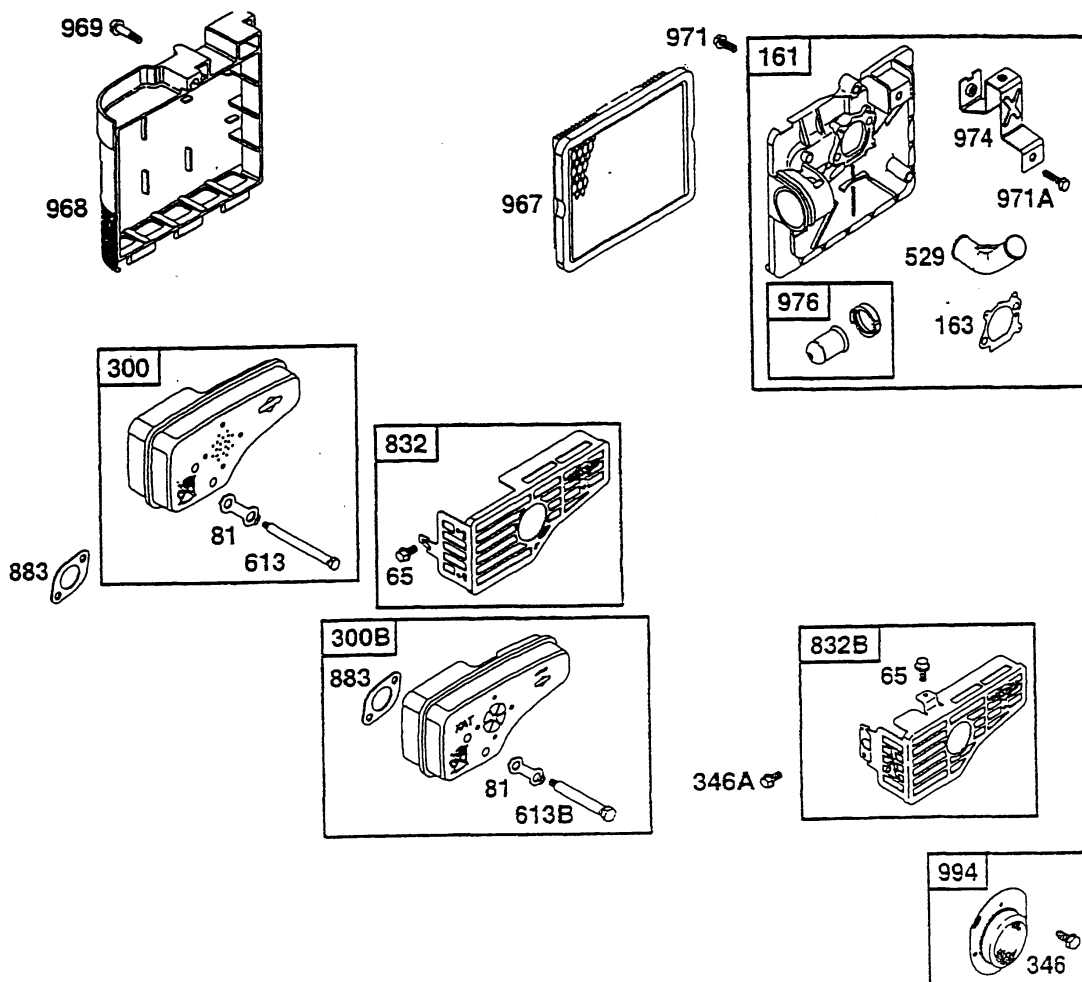
Quantum 50 XTE Haube, KraftstoffbehÄlter
Quantum 50 XTE covering cap, fuel tank



Quantum 50 XTE Haube, KraftstoffbehÄlter
Quantum 50 XTE Covering cap, fuel tank

| Bild-Nr. / Ref. No. | Best.-Nr. / Part No. | Bezeichnung | Description | Part No. B & S |
|--------------------------------|---------------------------------|-----------------------|----------------------|-------------------------------|
| 65A | 2066 301 | Schraube | screw | 94696 |
| 181 | 2064 501 | Tankdeckel | cap - fuel tank | 397974 |
| 187 | 2063 065 | Benzinleitung | line - fuel | 492790 |
| 187 | 2057 371 | Benzinleitung | line - fuel | 296004 |
| 187A | 2069 309 | Benzinleitung | line - fuel (molded) | 492791 |
| 188A | 2057 143 | Schraube mit Scheibe | kit - screw/washer | 398540 |
| 284 | 2063 316 | Schraube | screw | 94511 |
| 601 | 1036 517 | Klemme | clamp - hose | 93053 |
| 601A | 2058 517 | Klemme | clamp - hose | 93807 |
| 670A | 2057 166 | Hülse | spacer - fuel tank | 280512 |
| 930C | 2069 304 | Abdeckhaube (schwarz) | covering cap (black) | 281440 |
| 972 | 2059 510 | Tank | fuel tank | 495224 |

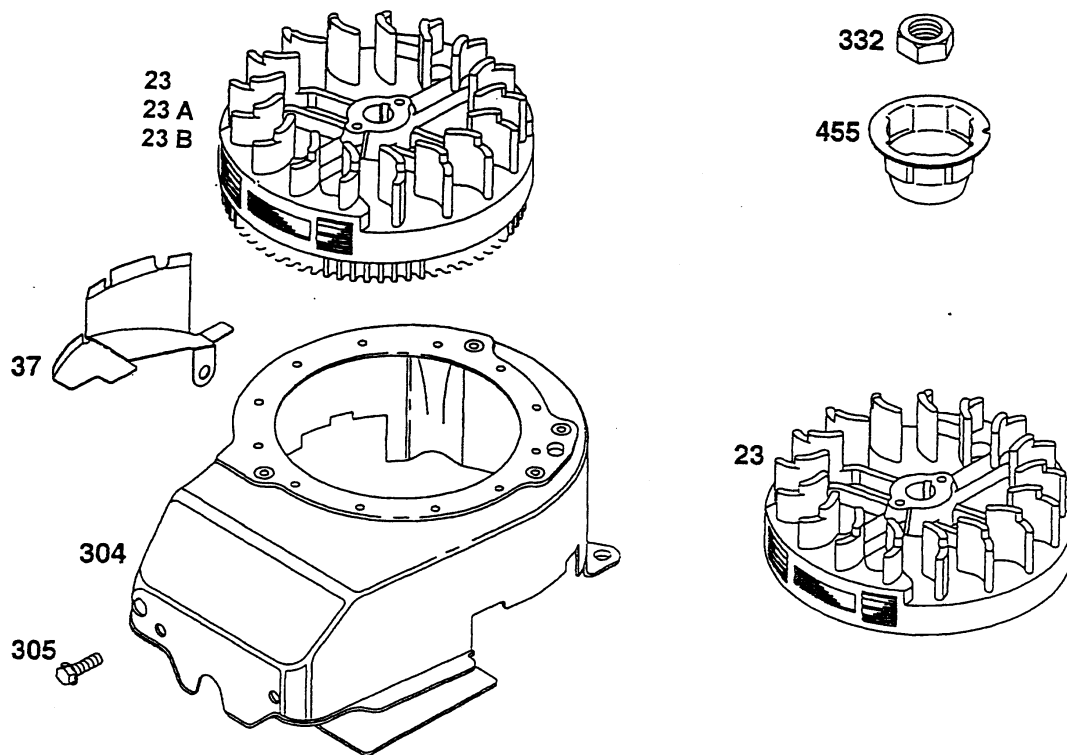
Quantum 50 XTE Luftfilter, SchalldÄmpfer
Quantum 50 XTE air cleaner, muffler



Quantum 50 XTE Luftfilter, SchalldÄmpfer
Quantum 50 XTE Air cleaner, muffler

| Bild-Nr. / Ref. No. | Best.-Nr. / Part No. | Bezeichnung | Description | Part No. B & S |
|--------------------------------|---------------------------------|--------------------------------------|------------------------------------|-------------------------------|
| 65 | 2057 108 | Schraube | screw | 94874 |
| 81 | 2063 501 | Sicherung | lock - muffler screw | 223664 |
| 161 | 2059 405 | LuftfiltergehÄuse | base - air cleaner | 496116 |
| 163 | 2059 220 | Dichtung | gasket - air cleaner | 272653 |
| 300 | 2069 019 | Auspuff ohne KAT | muffler without catalyst | 496106 |
| 300B | 2069 023 | Auspuff mit KAT | muffler with catalyst | 497681 |
| 346 | 2069 134 | Schraube | screw | 93705 |
| 346A | 2069 145 | Schraube | screw | 95130 |
| 529 | 2059 409 | Lüfterschlauch | grommet | 281299 |
| 613 | 2063 124 | Schraube | screw (muffler) | 94231 |
| 613B | 2069 140 | Schraube | screw (muffler) | 94858 |
| 676D | 2069 170 | Deflektor | deflector (muffler) | 497682 |
| 832 | 2069 176 | Berührungsschutz | guard - muffler | 499034 |
| 832B | 2069 171 | Berührungsschutz (Ausführung KAT) | guard - muffler (catalyst only) | 497683 |
| 883 | 2059 501 | Auspuffdichtung | gasket - exhaust | 272253 |
| 967 | 2063 408 | Luftfilter / Filterelement | air cleaner | 491588 |
| 968 | 2059 406 | Deckel | cover - air cleaner | 281340 |
| 969 | 2069 141 | Schraube | screw | 94872 |
| 971 | 2069 104 | Schraube | screw | 94878 |
| 971A | 2059 303 | Schraube | screw | 94749 |
| 974 | 2059 404 | Halter | bracket - air cleaner | 224815 |
| 976 | 2057 181 | Primer | primer | 496115 |

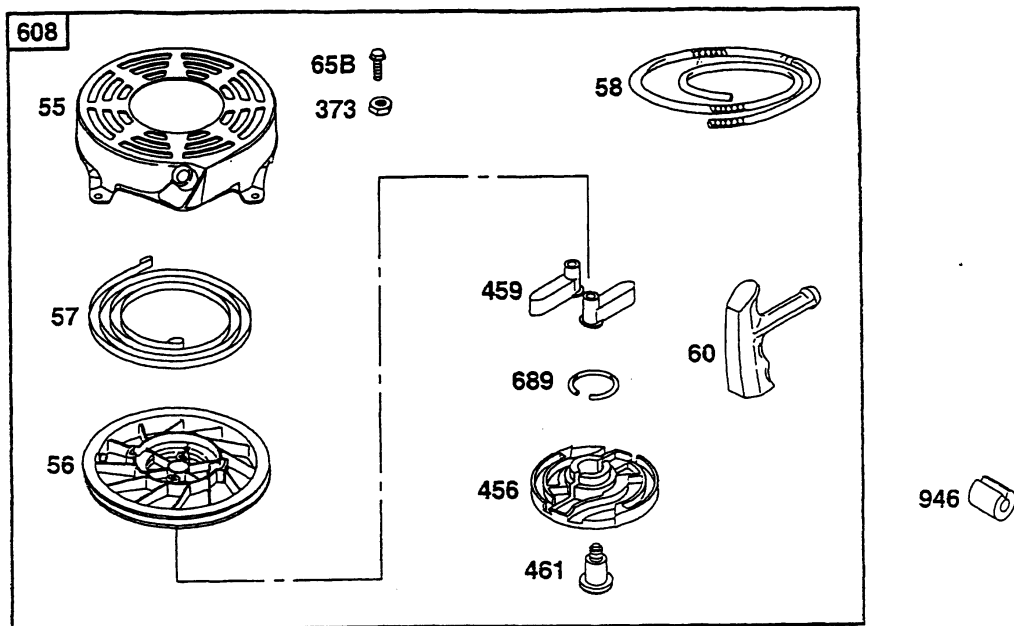
Quantum 50 XTE Polrad, Lfterhaube
Quantum 50 XTE flywheel, blower housing



Quantum 50 XTE Polrad, Lffterhaube
Quantum 50 XTE Flywheel, blower housing

| Bild-Nr. / Ref. No. | Best.-Nr. / Part No. | Bezeichnung | Description | Part No. B & S |
|--------------------------------|---------------------------------|--------------------|--------------------|-------------------------------|
| 23B | 2069 179 | Schwungrad schw. | flywheel | 492893 |
| 37 | 2058 306 | Schutzblech | guard - flywheel | 224511 |
| 304 | 2063 315 | Lfftergehuse | housing - blower | 493294 |
| 305 | 2057 106 | Schraube | screw | 94744 |
| 332 | 2069 132 | Mutter | nut | 92284 |
| 363 | 2062 057 | Abzieher | flywheel puller | 19069 |
| 455 | 2057 306 | Starterschale | cup - flywheel | 225121 |

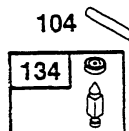
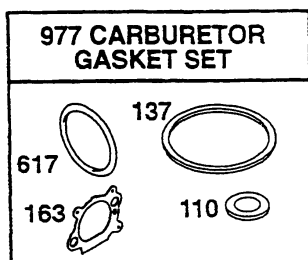
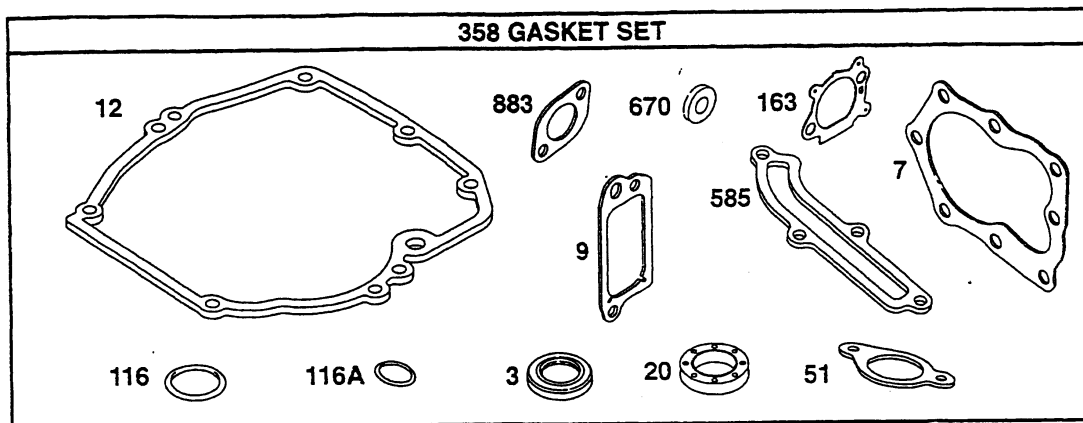
Quantum 50 XTE Starter
Quantum 50 XTE rewind - starter



Quantum 50 XTE Starter
Quantum 50 XTE Rewind - starter

| Bild-Nr. / Ref. No. | Best.-Nr. / Part No. | Bezeichnung | Description | Part No. B & S |
|--------------------------------|---------------------------------|--------------------|--------------------------|-------------------------------|
| 55 | 2069 121 | StartergehÄuse | housing - rewind starter | 497440 |
| 56 | 2069 122 | Starterseilscheibe | pulley | 281504 |
| 57 | 2069 123 | Starterfeder | spring | 263074 |
| 58 | 2063 604 | Starterseil | rope - starter | 280399 |
| 60 | 2069 300 | Startergriff | grip - starter rope | 281434 |
| 456 | 2069 301 | Federhalter | plate - pawl friction | 281503 |
| 459 | 2069 302 | Klinke | pawl - ratchet | 281505 |
| 461 | 2069 124 | Schraube | screw | 94943 |
| 608 | 2069 012 | Starter kpl. | starter - rewind compl. | 497680 |
| 689 | 2069 125 | Sprungfeder | spring - friction | 263073 |
| 946 | 2063 612 | Seilklemme | stop - rope | 223294 |

Quantum 50 XTE Dichtungssatz
Quantum 50 XTE gasket set



Quantum 50 XTE Dichtungssatz
Quantum 50 XTE Gasket set

| Bild-Nr. / Ref. No. | Best.-Nr. / Part No. | Bezeichnung | Description | Part No. B & S |
|--------------------------------|---------------------------------|----------------------------------|------------------------------------|-------------------------------|
| 3 | 2057 352 | Simmerring (oben) | seal - oil (magneto side) | 299819 |
| 7 | 2063 103 | Zylinderkopfdichtung | gasket - cylinder head | 272916 |
| 9 | 2058 301 | Dichtung (f. Entlfter) | gasket - breather | 272481 |
| 12 | 2063 107 | Dichtung (f. lwanne) | gasket - crankcase | 272198 |
| 20 | 2063 112 | Simmerring (unten) | seal - oil (PTO side) | 399781 |
| 51 | 2063 207 | Dichtung (f. Eingang) | gasket - intake | 272199 |
| 94 | 2058 403 | Nadelventil | kit - idle mixture | 493765 |
| 104 | 2057 120 | Stift | pin - float hinge | 231371 |
| 116 | 2063 211 | Dichtung (f. lrohr) | gasket | 280393 |
| 116A | 2063 216 | Dichtung (f. lrohr) | gasket | 280966 |
| 134 | 2003 411 | Schwimmernadelventil | kit - needle/seat | 398188 |
| 137 | 2069 316 | Dichtung (fr Schwimmerkappe) | gasket - float bowl | 693981 |
| 163 | 2059 220 | Dichtung (f. Luftfilter) | gasket - air cleaner | 272653 |
| 358 | 2069 021 | Dichtungssatz Motor | gasket set - engine | 497316 |
| 585 | 2063 209 | Dichtung (f. Gehuse) | gasket - breather passage | 272238 |
| 617 | 1034 428 | O - Ring (fr Vergaser) | seal - o ring (intake manifold) | 270344 |
| 670 | 2058 407 | Distanzstck | spacer | 493823 |
| 883 | 2059 501 | Auspuffdichtung | gasket - exhaust | 272253 |
| 977 | 2059 223 | Dichtungssatz Vergas. | gasket set - carburetor | 490937 |