

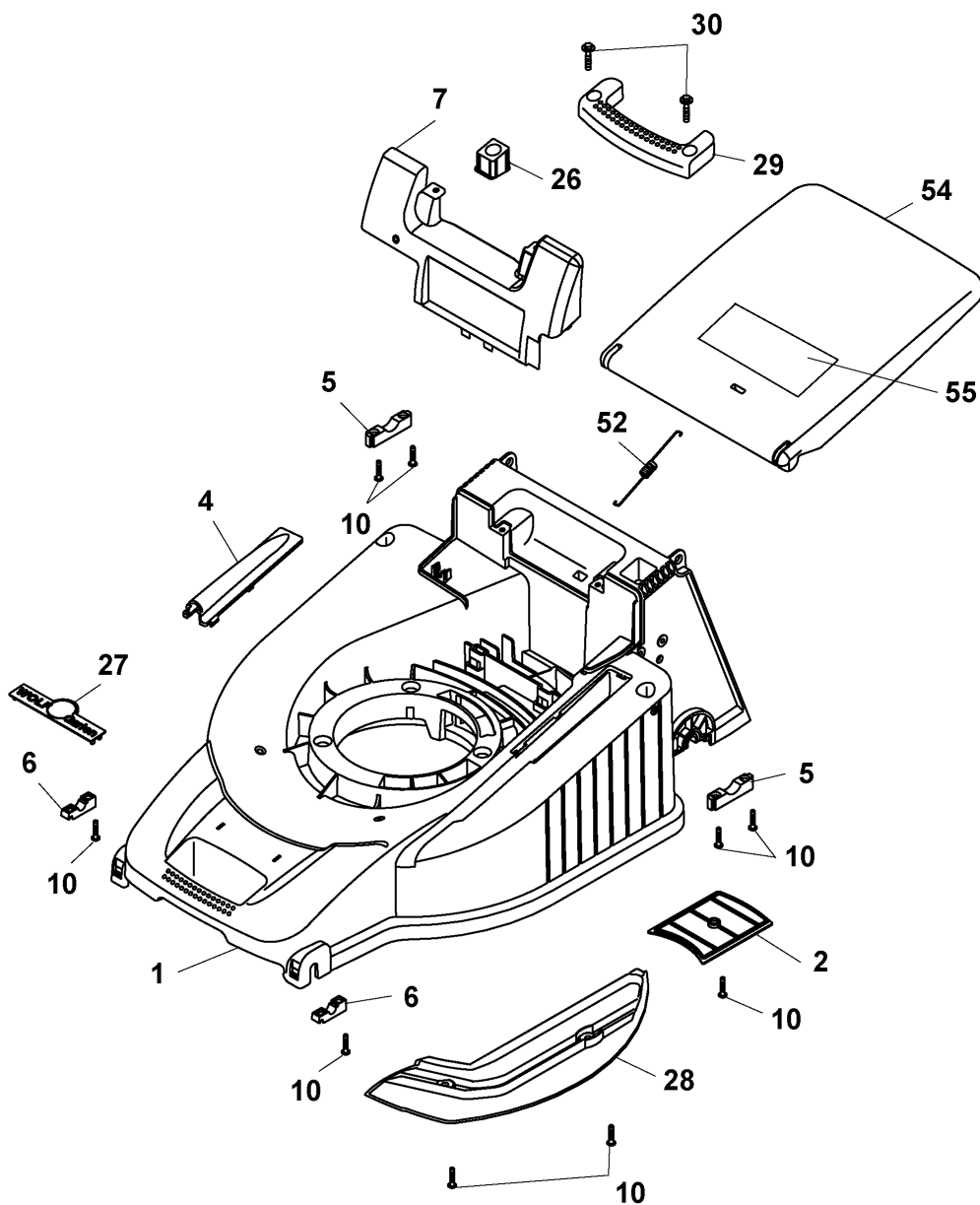
2.40 HA, Serie A / 2.40 HA, Series A

Ausstattung Benzinmäher / Equipment Petrol-mowers

| | |
|--|--|
| Typ / Kurzbez. / order code | 2.40 HA |
| Ausführung für / version for | International |
| Geräte - Nr. / article number | 4005007 |
| Schnittbreite / cutting width | 40 cm |
| Chassismaterial / chassis | Kunststoff / high-quality polymer |
| Gewicht / weight | 28 kg |
| Lautstärke / noise level | 96 dB (A) |
| Ø Rad vorne / front wheel diameter | 17 cm |
| Ø Rad hinten / rear wheel diameter | 20 cm |
| Ausführung Räder / version wheels | Soft, Kugellager / soft, ball bearing |
| Höhenverstellung / height adjustment | zentral 5-fach / central, five-fold |
| Schnitthöhe (cm) / cutting height | 2,5 cm - 7,2 cm |
| Antrieb / power drive | ja, 1-Gang, 3,5 km/h / yes, 1 gear speed, 3,5 km/h |
| Motor - Hersteller / motor producer | Honda |
| Motor-Modell / motor-type | GCV 135 |
| Spezifikation / specification | A2G9 |
| Motor - Nr. WOLF / motor-number | 2098075 |
| Nennleistung / nominal capacity | 2,7 kW (3,7 PS) |
| Zündkerze / spark plug | Champion RJ 19 LM (Art.-Nr. / part no. 2058305) |
| Griffgestänge / handle bar | Klappgriff, Holmstart / folding handlebar, bar start |
| Fangkorb / collector box | 56 L, Artikel-Nr. 4961065 / part no. 4961065 |
| <u>Drehmomente Chassis / torque settings, chassis fasteners:</u> | |
| Achsbefest. (Lagerschale vorne/hinten) / axle fastening (bearing shell front/rear) | 2-3 Nm |
| Radbefestigung / wheel fastening | 10 Nm |
| Führung Höhenverstellung / guide height-adjustment | 2-3 Nm |
| Windkanaleinlage - Chassis / wind tunnel insert - chassis | 2-3 Nm |
| Stehbolzen an Motor / stud bolt to motor | 16-20 Nm |
| Stehbolzen an Chassis / stud bolt to chassis | 12-14 Nm |
| Chassisabdeckung + Griff / chassis covering + handle | 2-3 Nm |
| Messerbalken an Motorwelle / cutter bar to motor shaft | 38-42 Nm |
| Keilriemenabdeckung / v-belt cover | 2-3 Nm |

Ⓓ 2.40 HA 4005 007, Serie A, Chassis

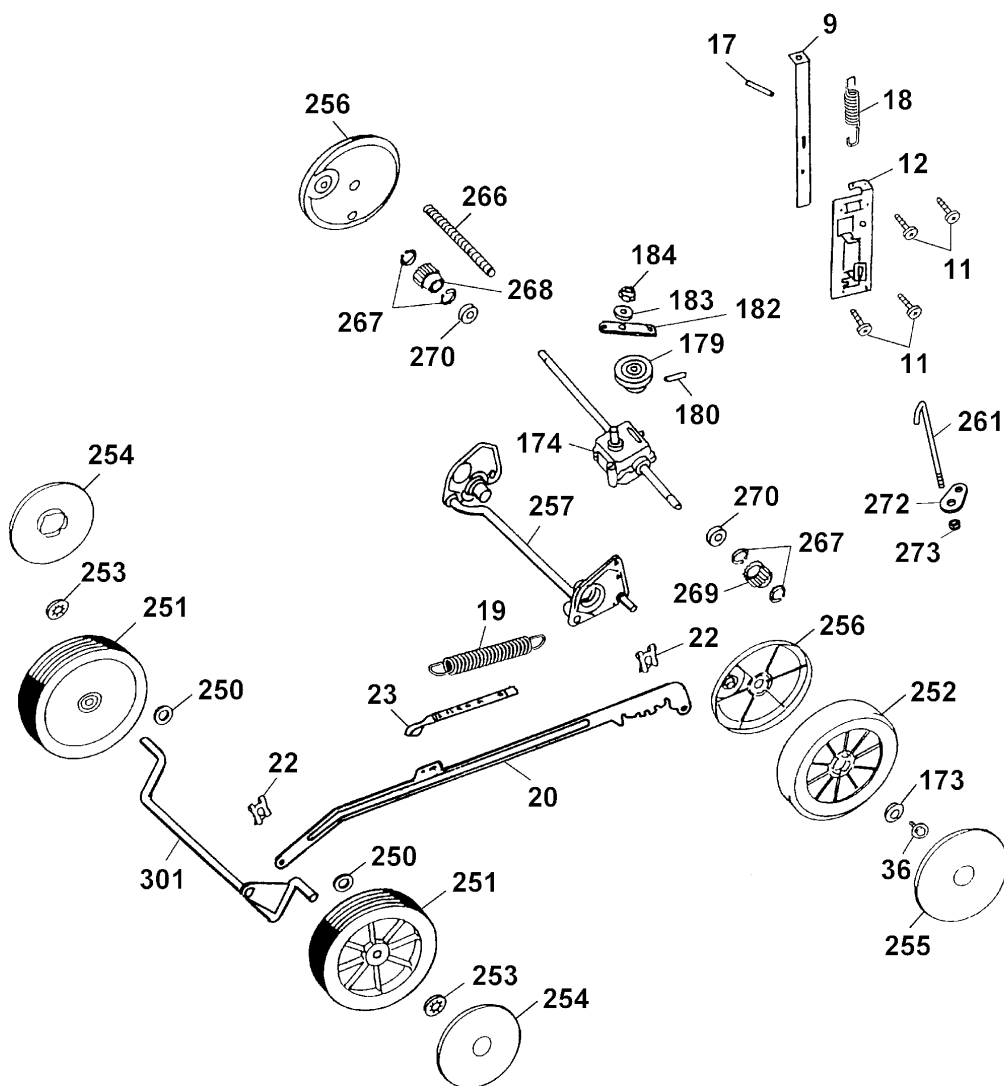
ⒼⒷ 2.40 HA 4005 007, Series A, Chassis



2.40 HA Chassis

| Bild-Nr. / Ref. No. | Best.-Nr. / Part No. | Bezeichnung | Description |
|------------------------|-------------------------|-------------------------------|-------------------------------|
| 1 | 4005 300 | Chassis | chassis |
| 2 | 4961 324 | Keilriemenabdeckung | v-belt cover |
| 4 | 4601 315 | Hutze | cover |
| 5 | 4961 313 | Stützschale, hinten (2 Stück) | rear support shell (2 piec.) |
| 6 | 4961 312 | Stützschale, vorne (2 Stück) | front support shell (2 piec.) |
| 7 | 4001 310 | Chassisabdeckung | chassis cover |
| 10 | 0012 631 | Schraube (9 Stück) | screw (9 pieces) |
| 26 | 4961 304 | Knopf | button |
| 27 | 0051 115 | WOLF-Garten Marke | WOLF-Garten brand |
| 28 | 4001 311 | Windkanalabdeckung | wind tunnel cover |
| 29 | 4601 303 | Tragegriff, hinten | rear carrying handle |
| 30 | 0012 639 | Schraube (2 Stück) | screw (2 pieces) |
| 52 | 4961 108 | Zugfeder | tension spring |
| 54 | 4620 302 | Schutzklappe (gelb) | rear flap (yellow) |
| 55 | 0051 246 | Sicherheitsetik./Pictogramm | safety label |

- Ⓓ 2.40 HA 4005 007, Serie A, Achse, Räder, Höhenverstellung
- ⒼⒷ 2.40 HA 4005 007, Series A, Axle, Wheels, Height-adjustment



2.40 HA Achse, Räder, Höhenverstellung
2.40 HA Axle, Wheels, Height-adjustment

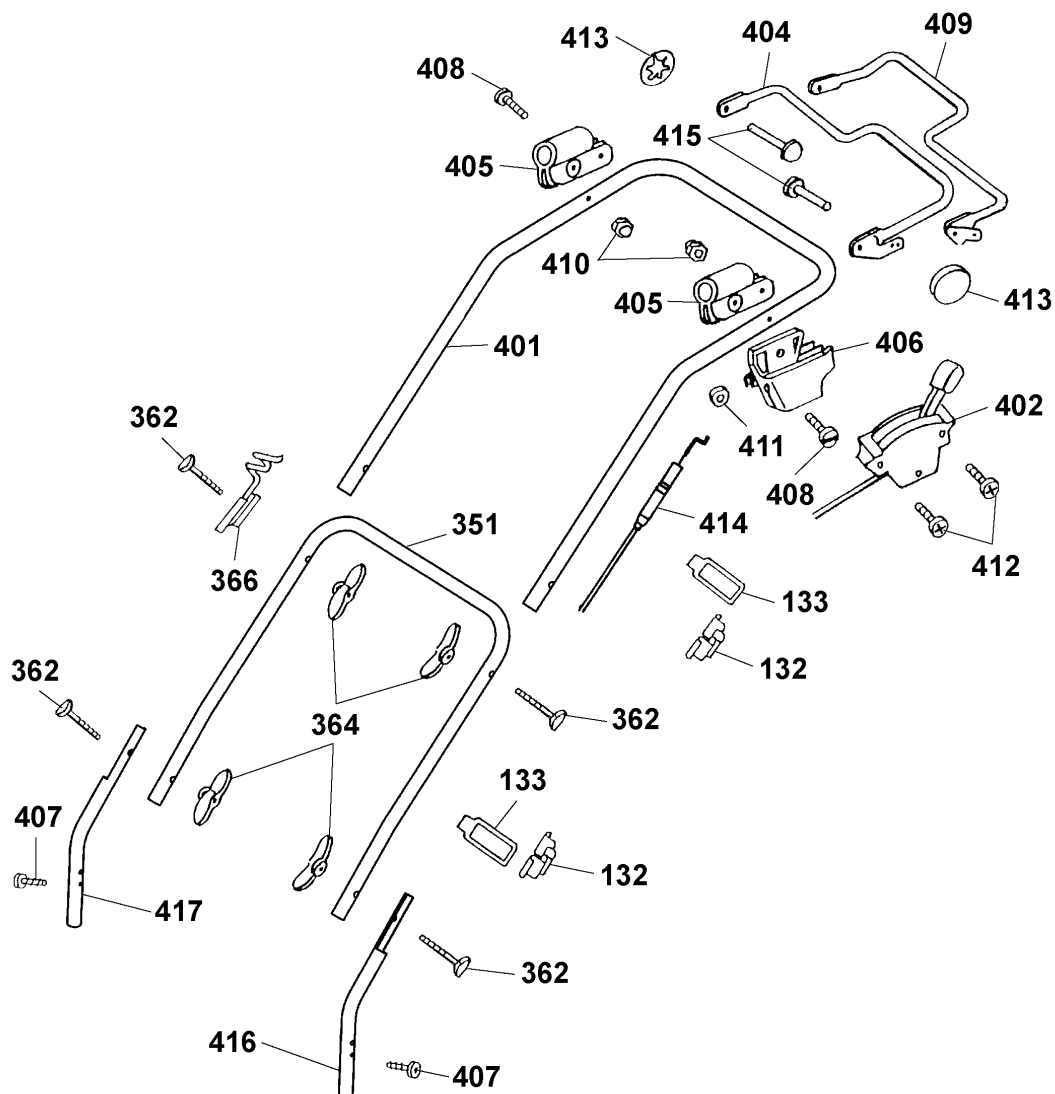
| Bild-Nr. / Ref. No. | Best.-Nr. / Part No. | Bezeichnung | Description |
|------------------------|-------------------------|-----------------------------------|---|
| 9 | 4961 512 | Rasthebel | lock lever |
| 11 | 0010 931 | Schraube (4 Stück) | screw (4 pieces) |
| 12 | 4001 110 | Führung | guiding |
| 17 | 0018 878 | Spannstift | dowel pin |
| 18 | 4961 514 | Zugfeder | tension spring |
| 19 | 4961 107 | Zugfeder Verbindungsst. | tension spring connect. rod |
| 20 | 4001 504 | Verbindungsstange | connecting rod |
| 22 | 0020 981 | SL-Sicherung | retaining clip |
| 23 | 4001 306 | Höhenanzeiger | height-position indicator |
| 36 | 0010 893 | SF-Schraube (2 Stück) | screw (2 pieces) |
| 174 | 1097 000 | Getriebe | gear |
| 179 | 1097 201 | Keilriemenscheibe | v-belt pulley |
| 180 | 1097 202 | Spannstift | dowel pin |
| 182 | 1097 200 | Getriebehebel | gear lever |
| 183 | 0017 120 | Scheibe | washer |
| 184 | 0016 310 | 6kt.-Mutter | hex. nut |
| 250 | 0017 112 | Scheibe (2 Stück) | washer (2 pieces) |
| 251 | 6340 050 | Rad 170 mm Ø (2 Stück) | wheel 170 mm dia. (2 pieces) |
| *** | 4960 516 | Kugell., Kunstst. (2 St./Rad) | ball bearing, plastic (2 p./wh.) |
| 252 | 4605 050 | Antriebsrad 200 mm Ø (2 Stück) | driving wheel 200 mm dia. (2 pieces) |
| *** | 6340 516 | Kugellager, Stahl (2 St./Rad) | ball bearing, steel (2 p./wheel) |
| 253 | 0020 700 | Schnellbefestiger (2 Stück) | quick-fixing device (2 pieces) |
| 254 | 6450 520 | Radkappe 170 mm Ø (2 St.) | hub cap 170 mm dia. (2 p.) |
| 255 | 6450 530 | Radkappe 200 mm Ø (2 St.) | hub cap 200 mm dia. (2 p.) |
| 256 | 4955 327 | Deckel (2 Stück) | wheel cap (2 pieces) |
| 257 | 4005 031 | Achsrohr, hinten | axle pipe, rear |
| 261 | 4015 100 | Zuganker | tension rod |
| *** | 4005 030 | Antriebsachse kpl. mit Rädern | driving axle compl. with wheels |

2.40 HA Achse, RÄder, Hhenverstellung
2.40 HA Axle, Wheels, Height-adjustment

| Bild-Nr. / Ref. No. | Best.-Nr. / Part No. | Bezeichnung | Description |
|--------------------------------|---------------------------------|-------------------------|-------------------------|
| 266 | 4605 328 | Schutzrohr | protecting tube |
| 267 | 0020 010 | Ringsicherung (4 Stck) | circlip (4 pieces) |
| 268 | 4725 025 | Kupplungsritzel, rechts | coupling pinion, right |
| 269 | 4725 026 | Kupplungsritzel, links | coupling pinion, left |
| 270 | 0023 147 | Kugellager (2 Stck) | ball bearing (2 pieces) |
| 272 | 4005 101 | Lasche | bracket |
| 273 | 0016 311 | Stoppmutter | stop nut |
| 301 | 4961 011 | Achse, vorne | axle, front |

D 2.40 HA 4005 007, Serie A, Griff kpl.

GB 2.40 HA 4005 007, Series A, Handlebar compl.

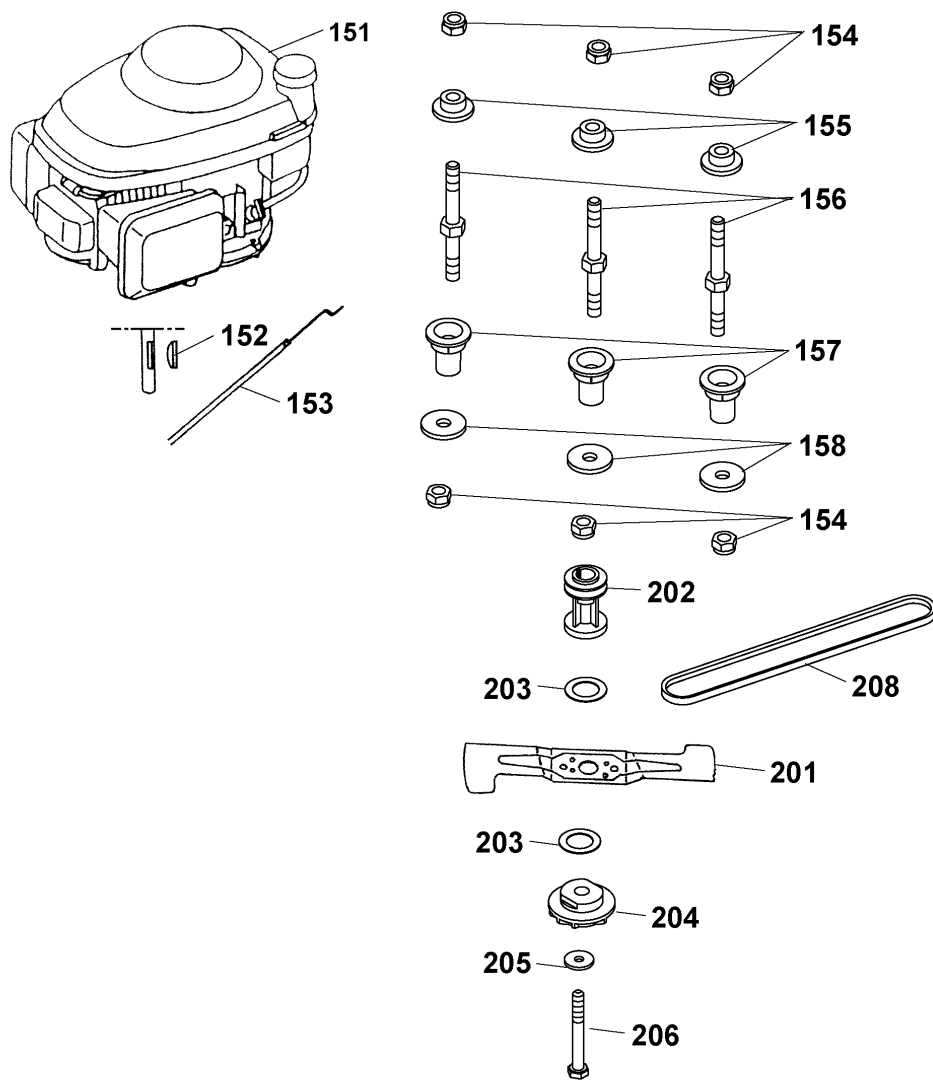


2.40 HA Griff kpl.

2.40 HA Handlebar compl.

| Bild-Nr. / Ref. No. | Best.-Nr. / Part No. | Bezeichnung | Description |
|------------------------|-------------------------|-------------------------------------|-------------------------------|
| 132 | 6340 312 | Klammer (2 Stück) | clamp (2 pieces) |
| 133 | 6340 314 | Schlaufe (2 Stück) | strap (2 pieces) |
| 351 | 4001 122 | Griffunterteil | lower handlebar |
| 362 | 4901 101 | Verbindungsschr. (4 St.) | binding screw (2 pieces) |
| 364 | 0016 717 | Flügelmutter (4 Stück) | wing nut (2 pieces) |
| 366 | 6340 014 | Seilführung | routing |
| 401 | 4001 031 | Griffoberteil | upper handlebar |
| 402 | 4001 056 | Schaltgehäuse mit Bowdenzug, Gas | case with bowden wire, gas |
| 404 | 4015 013 | Bremshebel | brake lever |
| 405 | 4720 105 | Schelle (2 Stück) | clamp (2 pieces) |
| 406 | 4015 306 | Doppelstütze | double support |
| 407 | 0015 660 | Blech-Schraube (2 Stck.) | sheet metal screw (2 p.) |
| 408 | 0012 211 | Zylinderschraube (2 St.) | screw (2 pieces) |
| 409 | 4015 035 | Kupplungshebel | coupling lever |
| 410 | 0016 641 | Hutmutter (2 Stück) | nut (2 pieces) |
| 411 | 4240 205 | Distanzscheibe | washer |
| 412 | 0012 886 | PT-Schraube (2 Stück) | screw (2 pieces) |
| 413 | 3585 503 | Hutclips (2 Stück) | retainer (2 pieces) |
| 414 | 4005 055 | Bowdenzug, Antrieb | bowden wire, drive |
| 415 | 0018 107 | Bolzen (2 Stück) | bolt (2 pieces) |
| 416 | 4001 125 | Rohrstück links | handlebar holder, left |
| 417 | 4001 127 | Rohrstück rechts | handlebar holder, right |
| *** | 0054 346 | Gebrauchsanweisung | operator manual |

- Ⓓ 2.40 HA 4005 007, Serie A, Motor, Messer
- ⒼⒷ 2.40 HA 4005 007, Series A, Motor, Blade

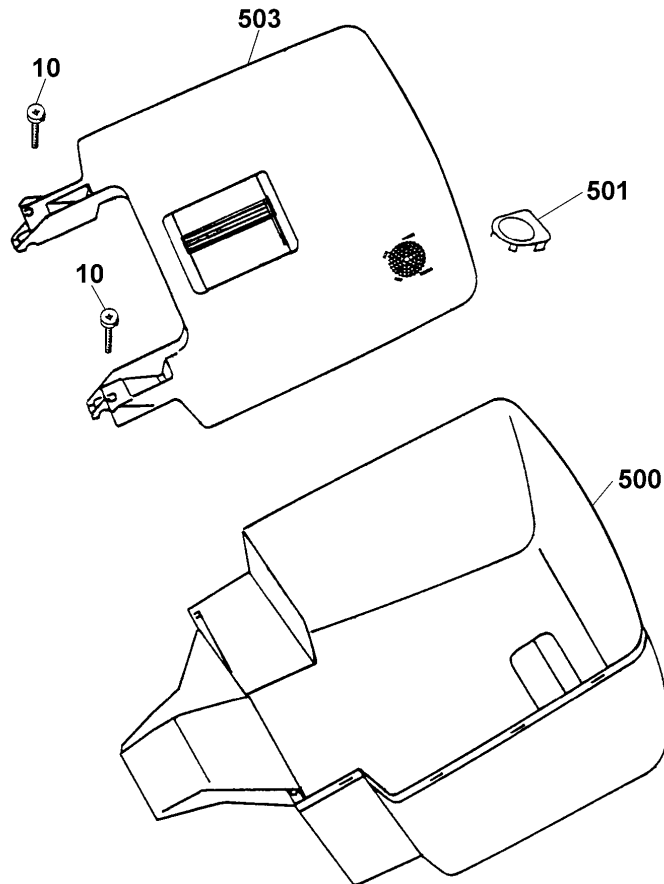


2.40 HA Motor, Messer
2.40 HA Motor, Blade

| Bild-Nr. / Ref. No. | Best.-Nr. / Part No. | Bezeichnung | Description |
|------------------------|-------------------------|--------------------------|--------------------------|
| 151 | 2098 075 | Motor Honda | motor Honda |
| 152 | 0029 130 | Scheibenfeder | woodruff key |
| 153 | 4005 058 | Bowdenzug, Bremse | bowden wire, brake |
| 154 | 0016 312 | 6kt.-Mutter (6 Stück) | hex. nut (6 pieces) |
| 155 | 4001 172 | Motorbuchse (3 Stück) | motor bush (3 pieces) |
| 156 | 4001 170 | Stehbolzen (3 Stück) | stud bolt (3 pieces) |
| 157 | 4601 312 | Distanzhülse (3 Stück) | spacer (3 pieces) |
| 158 | 0017 111 | Scheibe (3 Stück) | washer (3 pieces) |
| 201 | 4001 095 | Messer VI 40 B | blade VI 40 B |
| 202 | 4605 402 | Antriebsscheibe | coupling |
| 203 | 4005 403 | Kupplungsbelag (2 Stck.) | clutch facing (2 pieces) |
| 204 | 4840 402 | Kupplungsscheibe | coupling disc |
| 205 | 0017 105 | Spannscheibe | strain washer |
| 206 | 0010 264 | 6kt.-Schraube | hex. screw |
| 208 | 0039 210 | Kielriemen | v-belt |

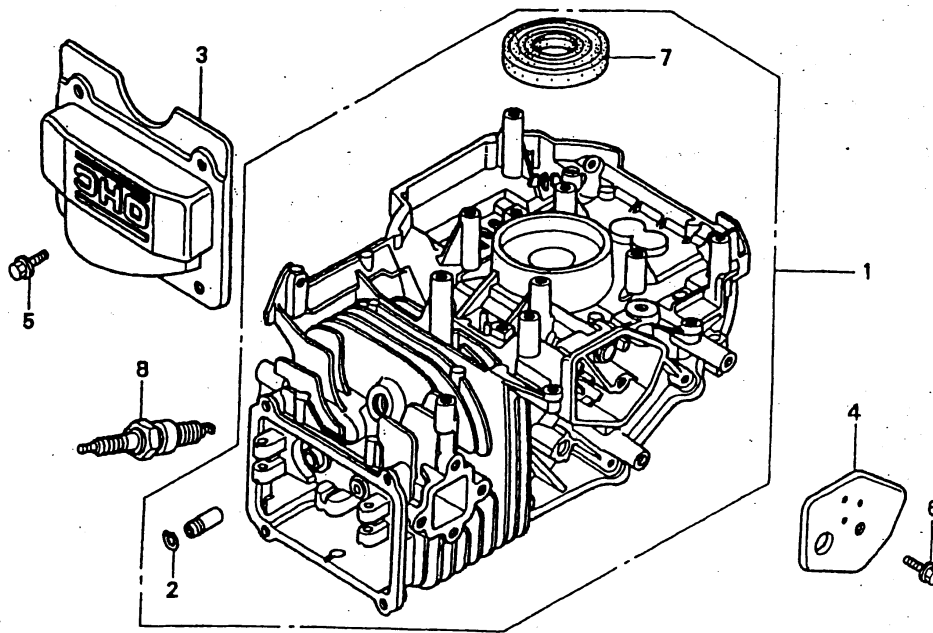
D Fangkorb komplett 4961 065

GB Grass box compl. 4961 065



| Bild-Nr. / Ref. No. | Best.-Nr. / Part No. | Bezeichnung | Description |
|------------------------|-------------------------|--------------------|----------------------|
| 10 | 0012 631 | Schraube (2 Stück) | screw (2 pieces) |
| 500 | 4961 311 | Fangkorbunterteil | grass box under part |
| 501 | 4906 315 | Verschlussdeckel | cap |
| 503 | 4961 061 | Fangkorboberteil | grass box upper part |

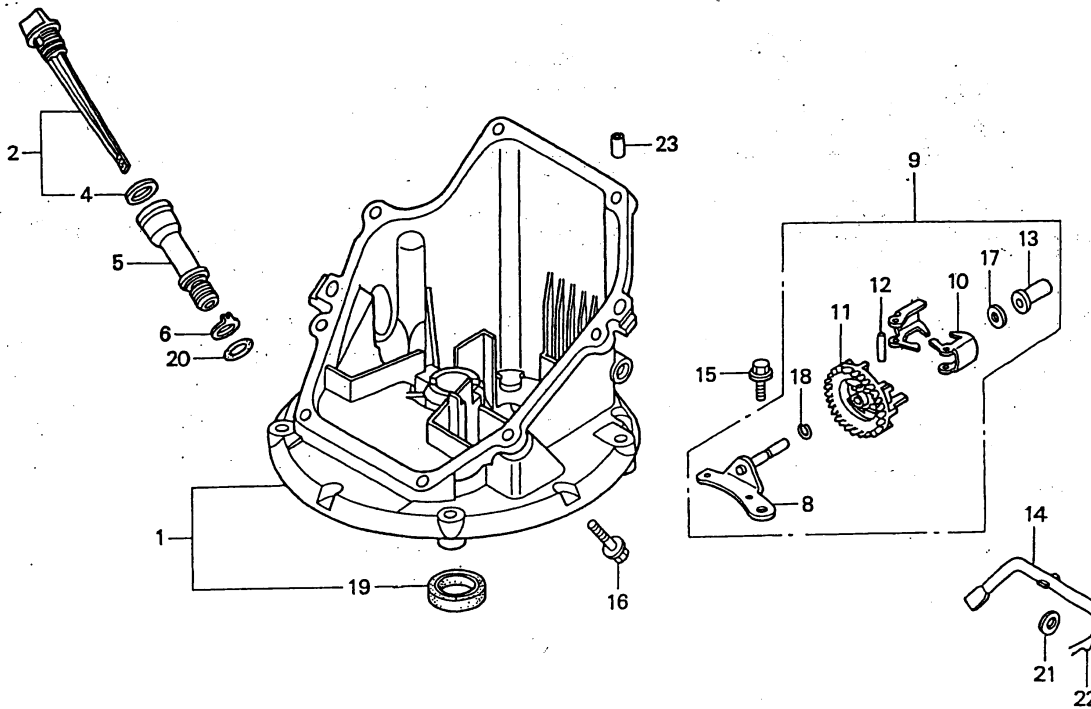
GCV 135 - A2 / Zylinder, cylinder assembly



GCV 135 - A2 Zylinder
GCV 135 - A2 cylinder assembly

| Bild-Nr. / Ref. No. | Best.-Nr. / Part No. | Bezeichnung | Description | Part No. Honda |
|------------------------|-------------------------|--------------------|----------------|-------------------|
| 1 | 2098 308 | Zylinder kpl. | cylinder | 1200-ZL9-405 |
| 2 | 2098 138 | Wellensicherung | clip | 12216-ZE5-300 |
| 3 | 2098 424 | Zylinderkopfdeckel | cover-head | 12311-ZL8-000 |
| 4 | 2098 400 | Deckel | cover-breather | 12355-ZL8-000 |
| 5 | 2098 105 | Schraube | screw | 90013-883-000 |
| 6 | 2098 106 | Schraube | screw | 90014-952-000 |
| 7 | 2098 318 | Simmering | oil-seal | 91201-ZL8-003 |
| 8 | 2095 306 | Zündkerze | plug-spark | 98079-56846 |

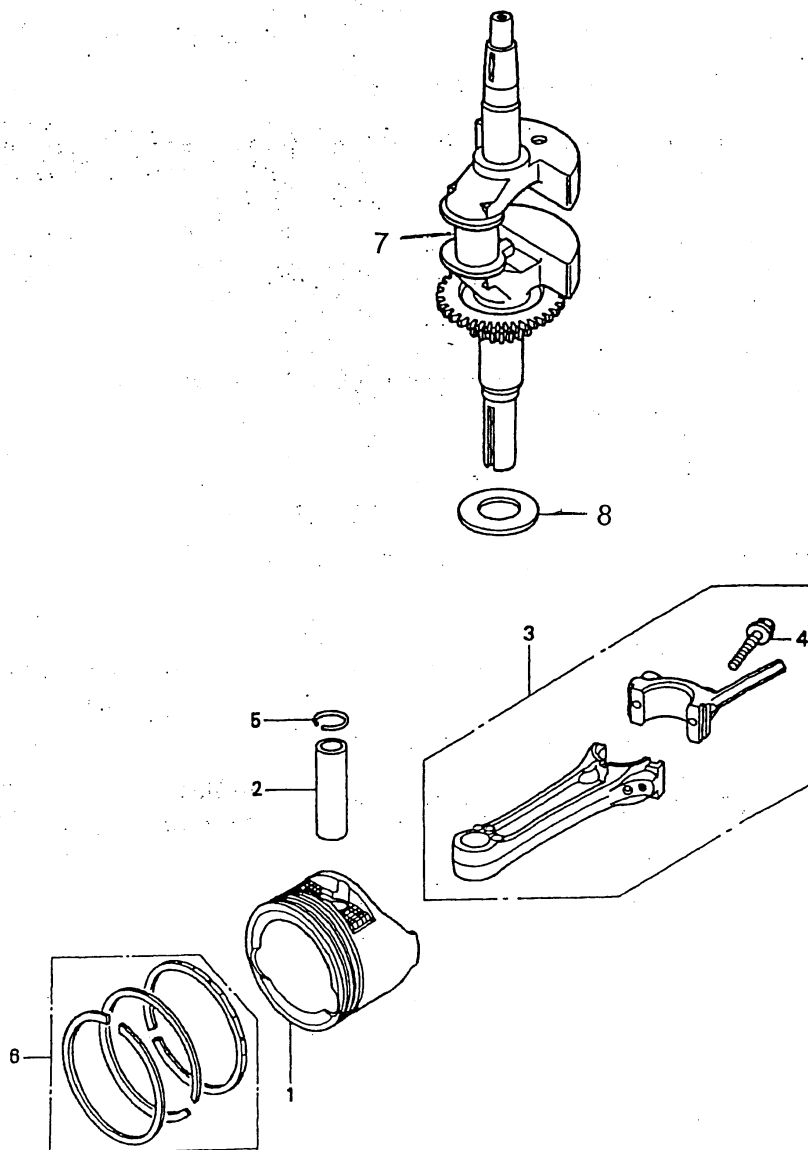
GCV 135 - A2 / Ölwanne, sump-engine



GCV 135 - A2 Ölwanne
GCV 135 - A2 sump-engine

| Bild-Nr. / Ref. No. | Best.-Nr. / Part No. | Bezeichnung | Description | Part No. Honda |
|--------------------------------|---------------------------------|--------------------|--------------------|---------------------------|
| 1 | 2098 309 | Ölwanne | pan-assy | 11300-ZM0-810 |
| 2 | 2098 375 | Ölmeßstab | gauge-oil level | 15650-ZM0-801 |
| 4 | 2098 311 | Dichtung-Meßstab | packing-oil cap | 15625-ZE6-000 |
| 5 | 2098 410 | Öleinfüllrohr | extension-oil | 15631-ZM0-000 |
| 6 | 2098 135 | Scheibe | washer | 15639-ZM0-000 |
| 8 | 2098 415 | Halter | shaft-holder | 16508-ZM0-000 |
| 9 | 2098 028 | Regler kpl. | governor | 16510-ZM0-000 |
| 10 | 2098 416 | Reglergewicht | weight-governor | 16511-ZL8-000 |
| 11 | 2098 417 | Reglervverzahnung | holder-governor | 16512-ZM0-000 |
| 12 | 2098 134 | Stift | pin | 16513-ZE1-000 |
| 13 | 2098 139 | Reglerspule | slider-governor | 16531-ZE1-000 |
| 14 | 2098 418 | Reglerarm | arm-governor | 16541-ZM0-000 |
| 15 | 2098 106 | Schraube | screw | 90014-952-000 |
| 16 | 2098 110 | Schraube | screw | 90121-952-000 |
| 17 | 2098 115 | Druckscheibe | washer | 90451-ZE1-000 |
| 18 | 2098 117 | Klemme | clip | 90602-ZE1-000 |
| 19 | 2098 319 | Dichtung-Ölrohr | oil-seal | 91202-ZL8-003 |
| 20 | 2098 321 | O-Ring | o-ring | 91313-MB0-003 |
| 21 | 2098 123 | Scheibe | washer | 94101-06800 |
| 22 | 2098 125 | Sicherung | pin-lock | 94251-08000 |
| 23 | 2098 126 | Paßstift | pin-dowel | 94301-08200 |

**GCV 135 - A2 / Kurbelwelle, Kolben,
GCV 135 - A2 / crankshaft, piston**

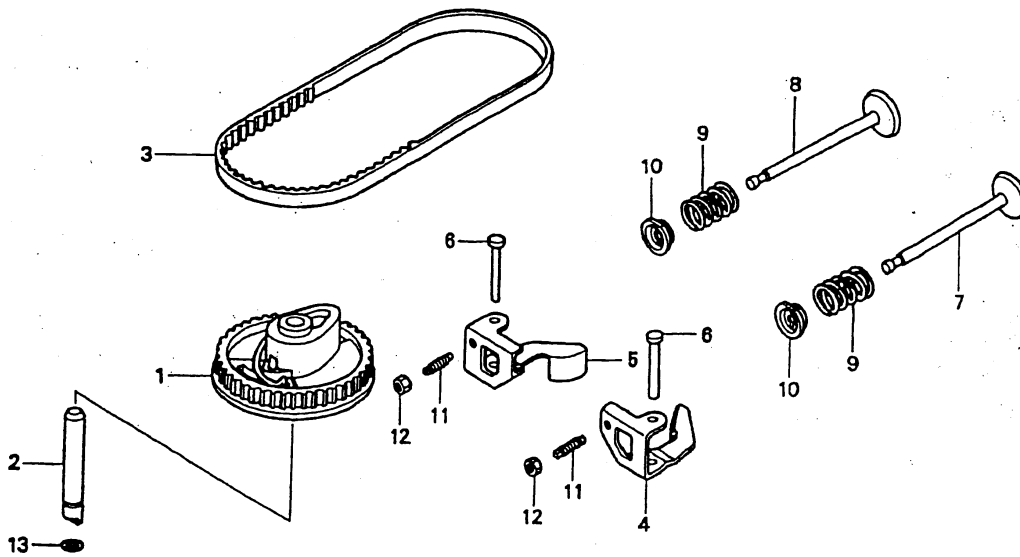


GCV 135 - A2 Kurbelwelle, Kolben

GCV 135 - A2 crankshaft, piston

| Bild-Nr. / Ref. No. | Best.-Nr. / Part No. | Bezeichnung | Description | Part No. Honda |
|--------------------------------|---------------------------------|--------------------|--------------------|---------------------------|
| 1 | 2098 401 | Kolben | piston | 13101-ZL8-000 |
| 2 | 2098 425 | Kolbenbolzen | pin-piston | 13111-ZE0-000 |
| 3 | 2098 376 | Pleuelstange | pod-connecting | 13200-ZL9-000 |
| 4 | 2098 100 | Schraube | screw | 90001-ZE1-000 |
| 5 | 2098 116 | Wellensicherung | clip | 90551-ZE0-000 |
| 6 | 2098 377 | Kolbenringe-Satz | ring-set | 13010-ZL8-014 |
| 7 | 2098 378 | Kurbelwelle | crankshaft | 13310-ZM1-000 |
| 8 | 2098 114 | Scheibe | washer | 90402-ZL8-000 |

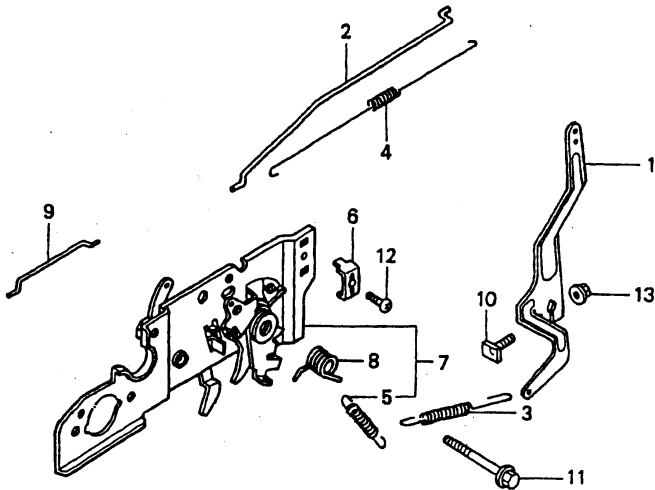
GCV 135 - A2 / Ventile, valve



GCV 135 - A2 Ventile
GCV 135 - A2 valves

| Bild-Nr. / Ref. No. | Best.-Nr. / Part No. | Bezeichnung | Description | Part No. Honda |
|--------------------------------|---------------------------------|--------------------|--------------------|---------------------------|
| 1 | 2098 411 | Riemenscheibe | pulley-camshaft | 14320-ZL8-000 |
| 2 | 2098 426 | Welle | shaft-cam pulley | 14324-ZL8-000 |
| 3 | 2098 446 | Zahnriemen | belt-timing | 14400-ZL9-003 |
| 4 | 2098 402 | Kipphebel Einlass | rocker-arm in. | 14431-ZL8-000 |
| 5 | 2098 403 | Kipphebel Auslass | rocker-arm ex. | 14441-ZL8-000 |
| 6 | 2098 412 | Stift | shaft | 14461-ZL8-000 |
| 7 | 2098 404 | Einlassventil | valve-in. | 14711-ZL8-000 |
| 8 | 2098 405 | Auslassventil | valve-ex. | 14721-ZL8-000 |
| 9 | 2098 137 | Ventilfeder | spring-valve | 14751-ZL8-000 |
| 10 | 2098 136 | Federteller | retainer | 14771-ZE1-000 |
| 11 | 2098 104 | Schraube | screw | 90012-333-000 |
| 12 | 2098 112 | Mutter | nut | 90206-001-000 |
| 13 | 2098 320 | O-Ring | o-ring | 91301-027-000 |

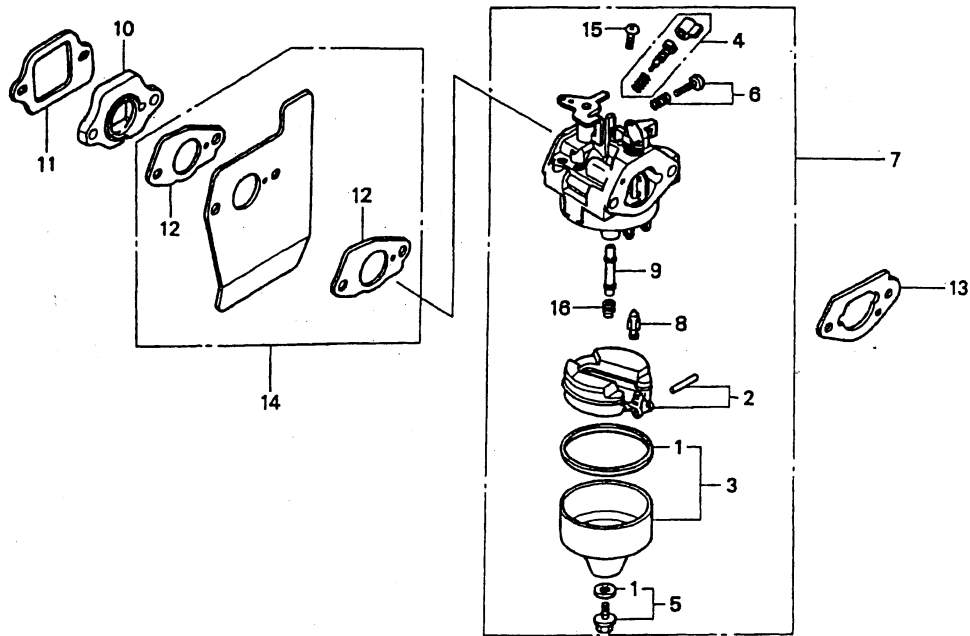
GCV 135 - A2 / Regelung, control



GCV 135 - A2 Regelung
GCV 135 - A2 control

| Bild-Nr. / Ref. No. | Best.-Nr. / Part No. | Bezeichnung | Description | Part No. Honda |
|--------------------------------|---------------------------------|--------------------|--------------------|---------------------------|
| 1 | 2098 512 | Reglerarm | arm-governor | 16551-ZM0-000 |
| 2 | 2098 605 | Reglerstange | rod-governor | 16555-ZM1-000 |
| 3 | 2098 606 | Zugfeder | spring | 16561-ZM1-000 |
| 4 | 2098 607 | Zugfeder | spring | 16562-ZM1-000 |
| 5 | 2098 189 | Zugfeder | spring | 16576-ZE7-300 |
| 6 | 2098 520 | Kabelklemme | holder-cable | 16576-891-000 |
| 7 | 2098 608 | Grundplatte kpl. | base-control | 16580-ZM0-020 |
| 8 | 2098 584 | Feder | spring | 16593-ZM0-000 |
| 9 | 2098 589 | Chokestange | rod-choke | 16674-ZM0-000 |
| 10 | 2098 181 | Schraube | screw | 90015-ZE5-010 |
| 11 | 2098 590 | Schraube | screw | 90016-ZM0-000 |
| 12 | 2098 575 | Schraube | screw | 93500-05016-0A |
| 13 | 2098 581 | Mutter | nut | 94050-06000 |

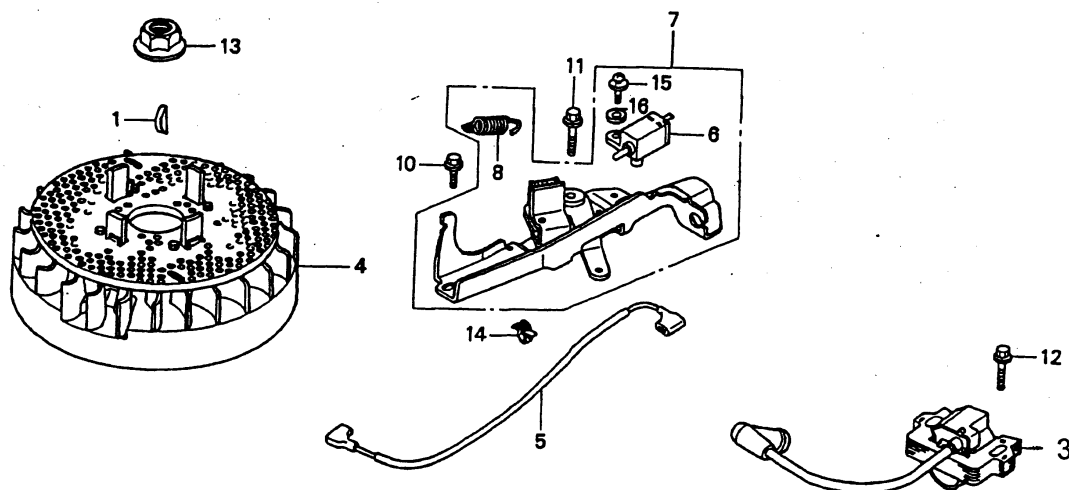
GCV 135 - A2 / Vergaser, carburetor



GCV 135 - A2 Vergaser
GCV 135 - A2 carburetor

| Bild-Nr. / Ref. No. | Best.-Nr. / Part No. | Bezeichnung | Description | Part No. Honda |
|------------------------|-------------------------|------------------|---------------|-------------------|
| 1 | 2098 312 | Dichtung | packing-set | 16010-883-015 |
| 2 | 2098 054 | Schwimmer kpl. | float-set | 16013-ZL1-003 |
| 3 | 2098 414 | Kappe kpl. | chamber-float | 16015-892-015 |
| 4 | 2098 010 | Schrauben Set | screw-set | 16016-892-005 |
| 5 | 2098 011 | Schrauben Set | screw-set | 16028-ZE0-005 |
| 6 | 2098 012 | Schrauben Set | screw-set | 16029-ZG0-901 |
| 7 | 2098 055 | Vergaser kpl. | carburetor | 16000-ZM0-013 |
| 8 | 2098 409 | Nadelventil | valve-float | 16155-ZM0-003 |
| 9 | 2098 408 | Steigrohr | nozzel-main | 16166-ZM0-003 |
| 10 | 2098 314 | Isolierung | insulator | 162111-ZL8-000 |
| 11 | 2098 315 | Dichtung | packing | 16212-ZL8-000 |
| 12 | 2098 374 | Dichtung | packing | 16221-883-800 |
| 13 | 2098 316 | Dichtung | packing | 16228-ZL8-000 |
| 14 | 2098 015 | Luftföhrung kpl. | guide-air | 19650-ZM-000 |
| 15 | 2098 120 | Schraube | screw | 93500-05006-1H |
| 16 | 2098 609 | Döse-55 | jet-main #55 | 99101-124-0550 |
| 16 | 2098 328 | Döse-60 | jet-main #60 | 99101-124-0600 |
| 16 | 2098 329 | Döse-62 | jet-main #62 | 99101-124-0620 |
| 16 | 2098 330 | Döse-65 | jet-main #65 | 99101-124-0650 |

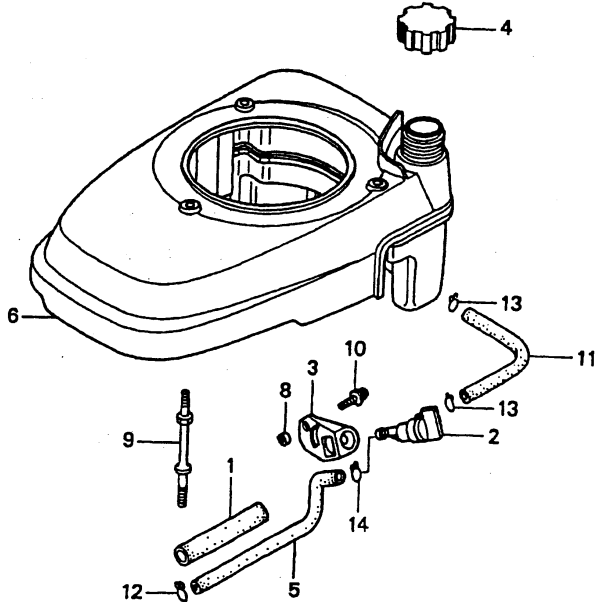
GCV 135 - A2 / Polrad, Zündspule, Bremse
GCV 135 - A2 / flywheel, ignition, brake



GCV 135 - A2 Polrad, Zündspule, Bremse
GCV 135 - A2 flywheel, ignition, brake

| Bild-Nr. / Ref. No. | Best.-Nr. / Part No. | Bezeichnung | Description | Part No. Honda |
|------------------------|-------------------------|----------------|---------------|-------------------|
| 1 | 2098 133 | Schwungradkeil | key | 13331-357-000 |
| 3 | 2098 438 | Zündspule | ignition-coil | 30500-ZL8-004 |
| 4 | 2098 610 | Schwungrad | flywheel | 31105-ZM1-000 |
| 5 | 2098 439 | Kabel | stop-switch | 32195-ZM0-000 |
| 6 | 2098 443 | Schalter | engine-stop | 35120-ZMO-003 |
| 7 | 2098 444 | Bremse | brake | 75100-ZM0-000 |
| 8 | 2098 478 | Feder | spring | 75113-ZM0-000 |
| 10 | 2098 106 | Schraube | screw | 90014-952-000 |
| 11 | 2098 107 | Schraube | screw | 90018-ZE1-000 |
| 12 | 2098 108 | Schraube | screw | 90022-888-010 |
| 13 | 2098 111 | Mutter | nut | 90201-878-003 |
| 14 | 2098 118 | Clips | clip | 90681-959-003 |
| 15 | 2098 122 | Schraube | screw | 93892-04012-00 |
| 16 | 2098 124 | Scheibe | washer | 94103-04000 |

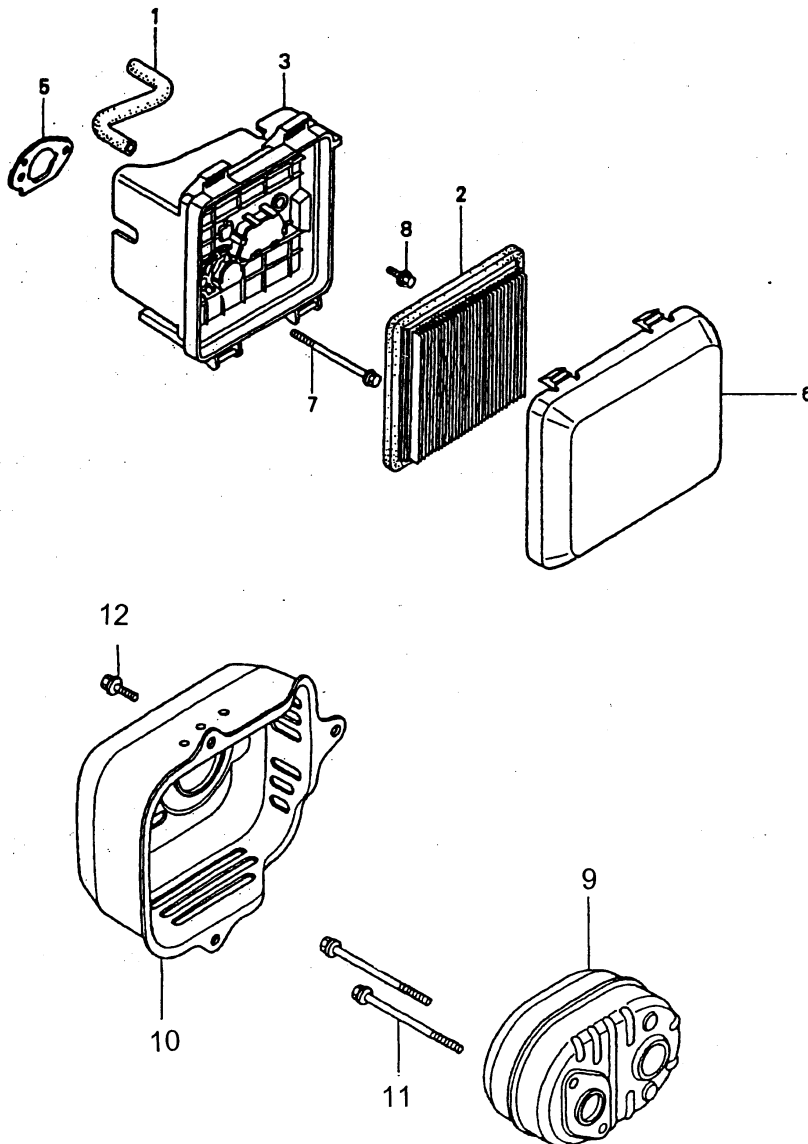
GCV 135 - A2 / KraftstoffbehÄlter, tank fuel



GCV 135 - A2 KraftstoffbehÄlter
GCV 135 - A2 fuel tank

| Bild-Nr. / Ref. No. | Best.-Nr. / Part No. | Bezeichnung | Description | Part No. Honda |
|------------------------|-------------------------|----------------|------------------|-------------------|
| 1 | 2098 302 | Schutzschlauch | rubber-supporter | 16854-ZH8-000 |
| 2 | 2098 140 | Benzinhahn | cock-fuel | 16950-ZG9-M02 |
| 3 | 2098 419 | Stütze | bracket | 16956-ZM0-000 |
| 4 | 2098 611 | Tankdeckel | cap-fuel tank | 17620-ZL8-013 |
| 5 | 2098 303 | Benzinleitung | tube-fuel | 17702-ZM0-000 |
| 6 | 2098 612 | Tank | tank-fuel | 19610-ZM1-010ZA |
| 8 | 2098 441 | Buchse | collar | 33609-GK4-620 |
| 9 | 2098 613 | Gewindebolzen | bolt-stud | 90041-ZL9-000 |
| 10 | 2098 121 | Schraube | screw | 93891-05010-08 |
| 11 | 2098 614 | Benzinleitung | tube-fuel | 95001-55135-40 |
| 12 | 2098 127 | Sicherung B8 | clip b8 | 95002-02080 |
| 13 | 2098 128 | Sicherung B10 | clip b10 | 95002-02100 |
| 14 | 2098 129 | Sicherung C9 | clip c9 | 95002-50000 |

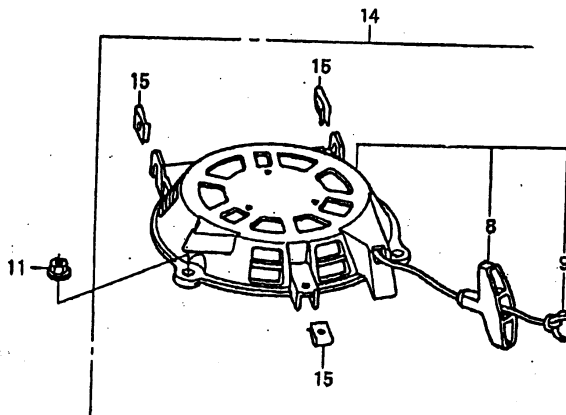
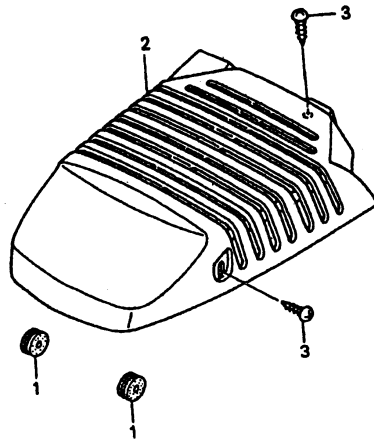
GCV 135 - A2 / Luftfilter, Schalld  mpfer
GCV 135 - A2 / air cleaner, muffler



GCV 135 - A2 Luftfilter, SchalldÄmpfer
GCV 135 - A2 air cleaner, muffler

| Bild-Nr. / Ref. No. | Best.-Nr. / Part No. | Bezeichnung | Description | Part No. Honda |
|--------------------------------|---------------------------------|--------------------|---------------------|---------------------------|
| 1 | 2098 301 | Luftschlauch | tube-breather | 15721-ZM0-000 |
| 2 | 2098 323 | Luftfilter | element-air cleaner | 17211-ZL8-000 |
| 3 | 2098 324 | FiltergehÄuse | case-air cleaner | 17220-ZM0-000 |
| 5 | 2098 317 | Dichtung | packing | 17228-ZL8-000 |
| 6 | 2098 326 | Filterdeckel | cover | 17231-ZM0-000 |
| 7 | 2098 101 | Schraube | screw | 90003-ZM0-000 |
| 8 | 2098 130 | Schraube | screw | 95701-06014-08 |
| 9 | 2098 615 | SchalldÄmpfer | muffler | 18321-ZL8-A00 |
| 10 | 2098 428 | Schutzgitter | protector | 18321-ZL8-000 |
| 11 | 2098 102 | Schraube | screw | 90004-ZL8-000 |
| 12 | 2098 105 | Schraube | screw | 90013-883-000 |

GCV 135 - A2 / Abdeckung, Starter, covers, recoil



GCV 135 - A2 Abdeckung, Starter
GCV 135 - A2 covers, recoil

| Bild-Nr. / Ref. No. | Best.-Nr. / Part No. | Bezeichnung | Description | Part No. Honda |
|--------------------------------|---------------------------------|--------------------|--------------------|---------------------------|
| 1 | 2098 616 | Gummilager | grommet | 16613-883-610 |
| 2 | 2098 617 | Abdeckung | cover | 19721-Z0M-000ZA |
| 3 | 2098 618 | Schraube | screw | 93903-24480 |
| 8 | 2098 435 | Startergriff | grip-starter | 28461-ZL8-003 |
| 9 | 2098 437 | Starterseil | rope-starter | 28462-ZL8-631 |
| 11 | 2098 619 | Mutter-Scheibe | nut-flange cap | 90201-ZM0-00 |
| 14 | 2098 620 | Starter kpl. | recoil-starter | 28400-Z0M-800 |
| 15 | 2098 621 | Clips | upper-cowl | 66871-KY2-700 |