

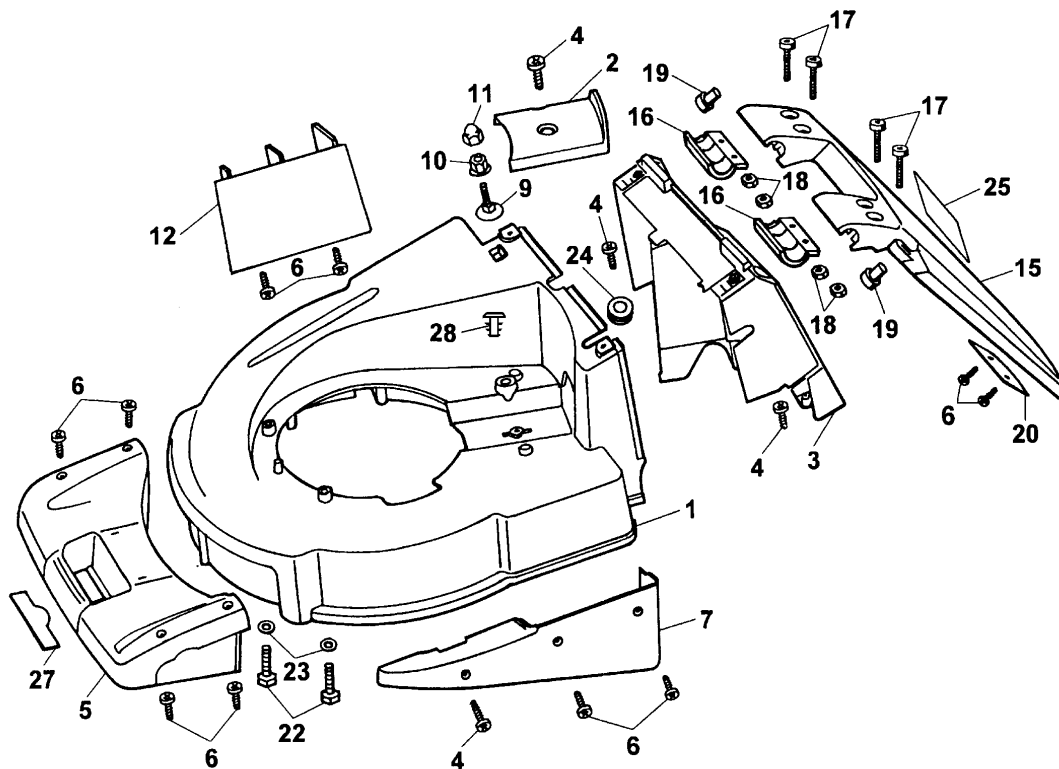
## Concept 43 KA "KIR", Serie A / Series A

### Ausstattung Benzinmäher / Equipment Petrol-mowers

|  |  |
|--|--|
| Typ / Kurzbez. / order code  | Concept 43 KA "KIR"  |
| Ausführung für / version for   | International  |
| Geräte - Nr. / article number  | 6666015  |
| Schnittbreite / cutting width  | 43 cm  |
| Chassismaterial / chassis  | Aluminium  |
| Gewicht / weight   | 36 kg  |
| Lautstärke / noise level   | 96 dB (A) - 93 dB (A)  |
| Ø Rad vorne / front wheel diameter   | 17 cm  |
| Ø Rad hinten / rear wheel diameter   | 20 cm  |
| Ausführung Räder / version wheels  | Soft, Kugellager / soft, ball bearing  |
| Höhenverstellung / height adjustment   | zentral 6-fach / central, six-fold   |
| Schnitthöhe / cutting height   | 2,0 cm - 8,0 cm  |
| Antrieb / power drive  | ja, 1-Gang, 3,5 km/h / yes, 1 gear speed, 3,5 km/h   |
| Motor - Hersteller / motor producer  | Kawasaki   |
| Motor-Modell / motor-type  | FC 150 V   |
| Spezifikation / specification  | S 66   |
| Motor - Nr. WOLF / motor-number  | 2090065  |
| Nennleistung / nominal capacity  | 3,1 kW (4,2 PS)  |
| Zündkerze / spark plug   | NGK BPR 5 ES, Art.-Nr. / part no. 2095306  |
| Griffgestänge / handlebar  | Klappgriff, höhenverstellbar, Holmstart / folding handlebar, height adjustable, bar start    |
| Fangkorb / collector box   | 60 L, Füllstandsanzeige / grass box fill indicator<br>Artikel-Nr. 6450072 / part no. 6450072 |
| <u>Drehmomente Chassis / torque settings, chassis fasteners:</u>                   |  |
| Achsbefest. (Lagerschale vorne/hinten) / axle fastening (bearing shell front/rear) | 2-3 Nm   |
| Radbefestigung / wheel fastening   | 10 Nm  |
| Stützhebel für Getriebe / support lever for gear                                   | 4-5 Nm   |
| Windkanaleinlage - Chassis / wind tunnel insert - chassis                          | 3,4 Nm   |
| Stehbolzen - Motorkonsole / stud bolt - motor console                              | 18 Nm  |
| Alukulisse - Gestellrohr / aluminium - frame                                       | 3-4 Nm   |
| Motor an Motorträger / motor to motor support                                      | 18 Nm  |
| Messer kpl. an Motorwelle / cutter bar to crankshaft                               | 38-42 Nm   |
| Keilriemenabdeckung / v-belt cover   | 5 Nm   |

Ⓓ Concept 43 KA "KIR", Serie A, Chassis

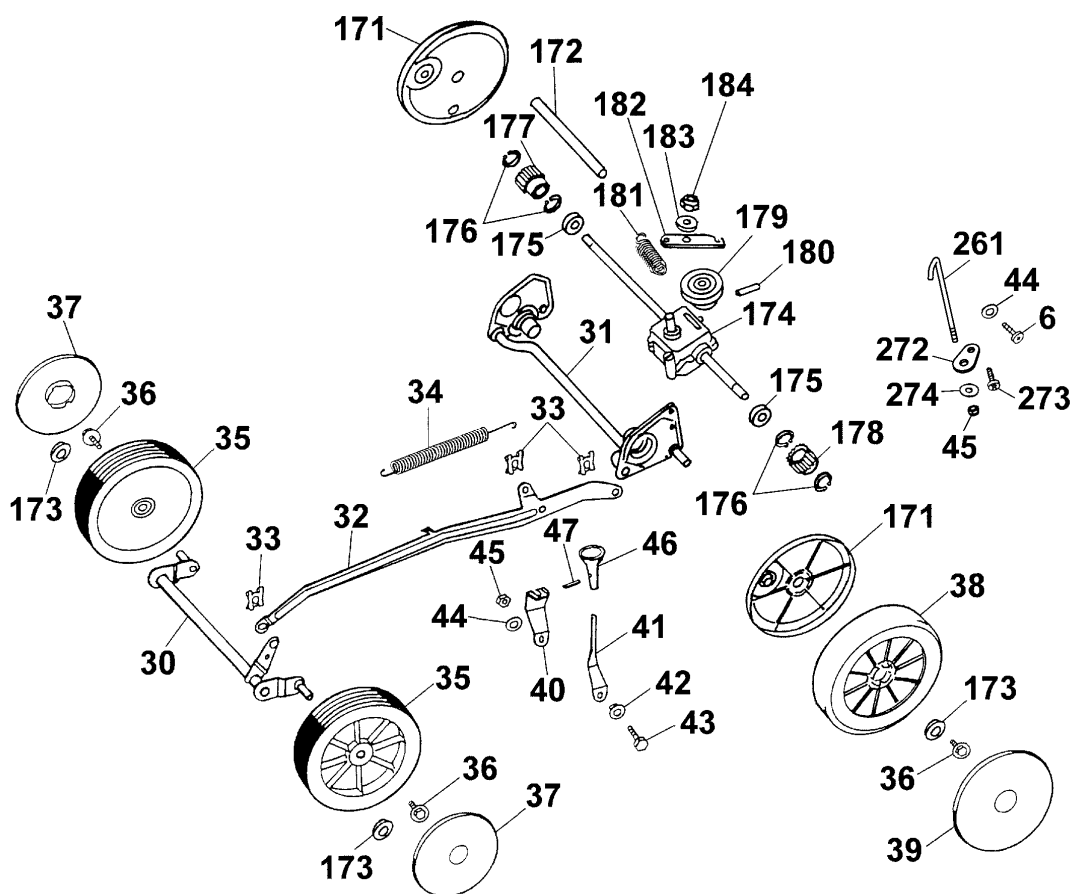
ⒼⒷ Concept 43 KA "KIR", Series A, Chassis



## Concept 43 KA "KIR" Chassis

| Bild-Nr. /<br>Ref. No. | Best.-Nr. /<br>Part No. | Bezeichnung                                  | Description                                   |
|------------------------|-------------------------|--|---|
| 1                      | 4350 420                | Chassis                                      | chassis                                       |
| 2                      | 6450 307                | Keilriemenabdeckung                          | v-belt cover                                  |
| 3                      | 6450 340                | Heckteil                                     | deflector                                     |
| 4                      | 0012 607                | SF-Schraube M5x20 (4 St.)                    | screw M5x20 (4 pieces)                        |
| 5                      | 6450 302                | Frontverkleidung                             | front panel                                   |
| 6                      | 0012 605                | SF-Schraube M5x12 (10 St.)                   | screw M5x12 (10 pieces)                       |
| 7                      | 6450 304                | Seitenteil, links                            | cover, left                                   |
| 9                      | 0013 650                | Flachrundschraube M8x16                      | screw M8x16                                   |
| 10                     | 0016 385                | 6kt.-Mutter M8                               | hex. nut M8                                   |
| 11                     | 6340 126                | Verschlusskappe M8                           | closing cap M8                                |
| 12                     | 4350 303                | Kanaleinlage                                 | wind tunnel insert                            |
| 15                     | 6450 911                | Heckklappe kpl. incl.<br>Bild-Nr. 6,19,20,25 | rear flap compl. incl. ref.<br>no. 6,19,20,25 |
| 16                     | 6450 311                | Schelle (2 St.)                              | clamp (2 pieces)                              |
| 17                     | 0012 825                | Torx-Schraube M5x40 (4 St.)                  | screw M5x40 (4 pieces)                        |
| 18                     | 0016 210                | 6kt.-Mutter M5 (4 St.)                       | hex. nut M5 (4 pieces)                        |
| 19                     | 6450 316                | Gummipuffer (2 St.)                          | rubber buffer (2 pieces)                      |
| 20                     | 6450 149                | Gegengewicht                                 | balance weight                                |
| 22                     | 0010 399                | 6kt.-Schraube M8x30 (2 St.)                  | hex. screw M8x30 (2 p.)                       |
| 23                     | 0017 123                | Scheibe A 8,4 (2 St.)                        | washer A 8,4 (2 pieces)                       |
| 24                     | 6450 314                | Gummitlle                                   | rubber funnel                                 |
| 25                     | 0051 246                | Sicherheitsetikett                           | safety label                                  |
| 27                     | 0051 115                | WOLF-Garten Marke                            | "WOLF-Garten" brand                           |
| 28                     | 4332 307                | Lamellen-Stopfen                             | cellular rubber                               |

- Ⓓ Concept 43 KA "KIR", Serie A, Achse, Räder, Höhenverstellung
- ⒼⒷ Concept 43 KA "KIR", Series A, Axle, Wheels, Height-adjustment



**Concept 43 KA "KIR" Achse, Räder, Höhenverstellung**  
**Concept 43 KA "KIR" Axle, Wheels, Height-adjustment**

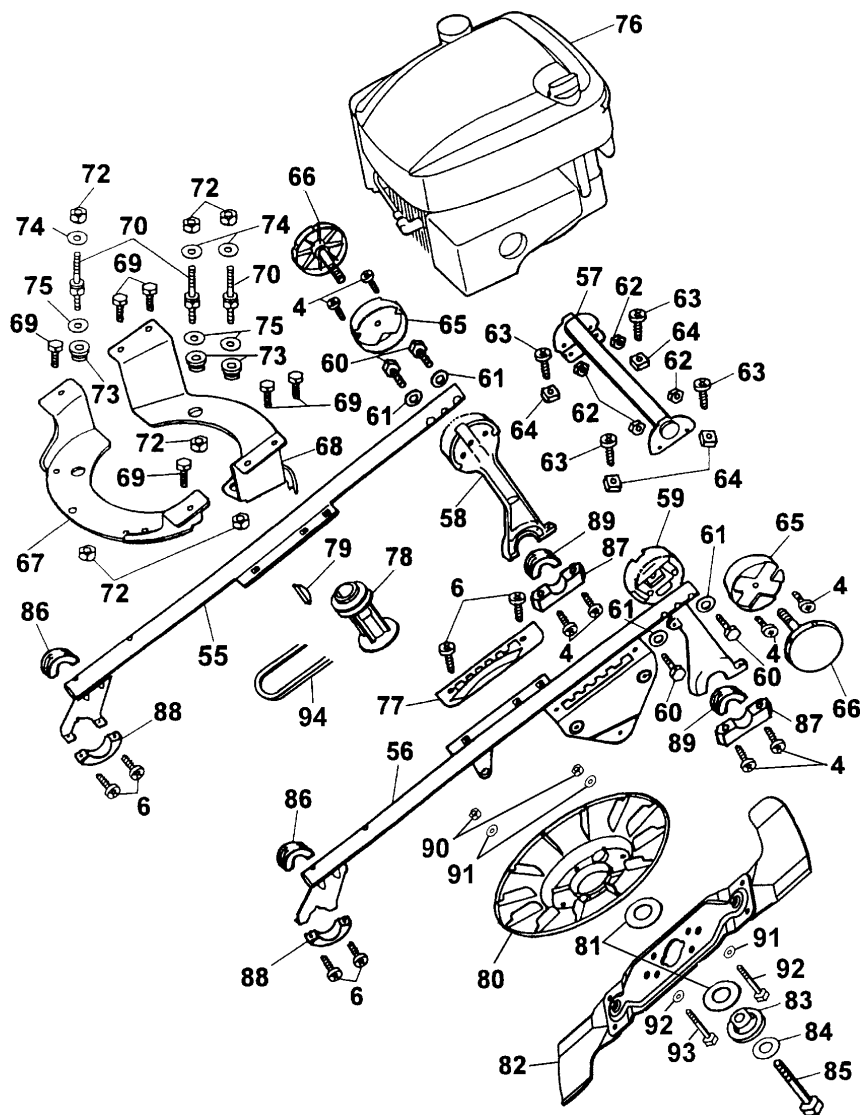
| Bild-Nr. /<br>Ref. No. | Best.-Nr. /<br>Part No. | Bezeichnung                       | Description                             |
|------------------------|-------------------------|-----------------------------------|---|
| 6                      | 0012 605                | SF-Schraube M5x12                 | screw M5x12                             |
| 30                     | 6450 016                | Achse, vorne                      | front axle                              |
| 31                     | 6450 038                | Antriebsachse                     | driving axle                            |
| 32                     | 6450 020                | Verbindungsstange                 | connecting rod                          |
| 33                     | 0020 983                | SL-Sicherung (3 St.)              | circlip (3 pieces)                      |
| 34                     | 6450 139                | Zugfeder                          | tension spring                          |
| 35                     | 6440 050                | Rad Ø 170 mm (2 St.)              | wheel, 170mm dia. (2 p.)                |
| 36                     | 0010 893                | SF-Schraube M6x12 (4 St.)         | screw M6x12 (4 pieces)                  |
| 37                     | 6450 520                | Deckel Ø 170 mm (2 St.)           | hub cap 170 mm dia. (2 p.)              |
| 38                     | 4605 050                | Antriebsrad Ø 200 mm<br>(2 Stück) | driving wheel 200 mm dia.<br>(2 pieces) |
| 39                     | 6450 530                | Deckel Ø 200 mm (2 St.)           | hub cap 200 mm dia. (2 p.)              |
| 40                     | 6450 134                | Verstellhebel                     | adjusting lever                         |
| 41                     | 6450 132                | Federhebel                        | lever                                   |
| 42                     | 6450 146                | Lagerbuchse                       | bush                                    |
| 43                     | 0010 377                | 6kt.-Schraube M6x20               | hex. screw M6x20                        |
| 44                     | 0017 289                | Scheibe A6 (2 St.)                | washer A6 (2 pieces)                    |
| 45                     | 0016 311                | 6kt.-Mutter (2 St.)               | hex. nut M6 (2 pieces)                  |
| 46                     | 6450 313                | Höhenverstellknopf                | height adjusting knob                   |
| 47                     | 0018 813                | Spannstift 3x20                   | dowel pin 3x20                          |
| 171                    | 4955 327                | Radkappe (2 St.)                  | protecting wheel cap (2 p.)             |
| 172                    | 4605 328                | Schutzrohr                        | protecting pipe                         |
| 173                    | 6340 516                | Lager (4 Stück)                   | bearing (4 pieces)                      |
| 174                    | 1097 050                | Getriebe                          | gear                                    |
| 175                    | 0023 147                | Kugellager (2 Stück)              | bearing (2 pieces)                      |
| 176                    | 0020 010                | Ringsicherung (4 Stück)           | circlip (4 pieces)                      |
| 177                    | 4725 025                | Kupplungsritzel, rechts           | coupling pinion, right                  |
| 178                    | 4725 026                | Kupplungsritzel, links            | coupling pinion, left                   |

**Concept 43 KA "KIR" Achse, Räder, Höhenverstellung**  
**Concept 43 KA "KIR" Axle, Wheels, Height-adjustment**

| <b>Bild-Nr. /<br/>Ref. No.</b> | <b>Best.-Nr. /<br/>Part No.</b> | <b>Bezeichnung</b> | <b>Description</b> |
|--------------------------------|---------------------------------|--------------------|--------------------|
| 179                            | 1097 201                        | Keilriemenscheibe  | v-belt pulley      |
| 180                            | 1097 202                        | Spannstift         | dowel pin 3x20     |
| 181                            | 1097 205                        | Feder              | spring             |
| 182                            | 1097 200                        | Getriebehebel      | gear lever         |
| 183                            | 0017 120                        | Scheibe            | washer             |
| 184                            | 0016 310                        | 6kt.-Mutter M5     | hex. nut M5        |
| 261                            | 4015 100                        | Zuganker           | tension rod        |
| 272                            | 4005 101                        | Lasche             | bracket            |
| 273                            | 0012 631                        | PT-Schraube K50x25 | screw K50x25       |
| 274                            | 0017 121                        | Scheibe A 6,4      | washer A6,4        |

Ⓛ Concept 43 KA "KIR", Serie A, Motor, Gestell, Messer

Ⓛ Concept 43 KA "KIR", Series A, Motor, Frame, Blade



**Concept 43 KA "KIR" Motor, Gestell, Messer**  
**Concept 43 KA "KIR" Motor, Frame, Blade**

| Bild-Nr. /<br>Ref. No. | Best.-Nr. /<br>Part No. | Bezeichnung                 | Description                 |
|------------------------|-------------------------|-----------------------------|-----------------------------|
| 4                      | 0012 607                | SF-Schraube M5x20 (8 St.)   | screw M 5x20 (8 piec.)      |
| 6                      | 0012 605                | SF-Schraube M5x12 (6 St.)   | screw 5x12 (6 pieces)       |
| 55                     | 6450 010                | Gestell, rechts             | frame, right                |
| 56                     | 6450 012                | Gestell, links              | frame, left                 |
| 57                     | 6450 014                | Rohrtraverse                | pipe                        |
| 58                     | 6450 100                | Griffhalter, rechts         | handlebar holder, right     |
| 59                     | 6450 102                | Griffhalter, links          | handlebar holder, left      |
| 60                     | 0010 313                | 6kt.-Schraube M6x45 (4 St.) | hex. screw M6x45 (4 p.)     |
| 61                     | 6150 182                | Scheibe 6,4 (4 St.)         | dished washer 6,4 (4 p.)    |
| 62                     | 0016 311                | 6kt.-Mutter M6 (4 St.)      | hex. nut M6 (4 pieces)      |
| 63                     | 0012 831                | Torx-Schraube M6x15 (4 St.) | screw M6x15 (4 pieces)      |
| 64                     | 0016 405                | 4kt.-Mutter M6 (4 St.)      | square nut M6 (4 pieces)    |
| 65                     | 6450 188                | Stellkranz (2 St.)          | fixing case (2 pieces)      |
| 66                     | 4317 010                | Handrad (2 St.)             | handwheel (2 pieces)        |
| 67                     | 6450 112                | MotortrÄger, vorne          | motor support, front        |
| 68                     | 6450 114                | MotortrÄger, hinten         | motor support, back         |
| 69                     | 0010 386                | 6kt.-Schraube M6x12 (6 St.) | hex. screw M6x12 (6 p.)     |
| 70                     | 6450 170                | Stehbolzen, kurz (3 St.)    | stud bolt, short (2 pieces) |
| 72                     | 0016 312                | 6kt.-Mutter M8 (6 St.)      | hex. nut M 8 (6 pieces)     |
| 73                     | 6450 319                | Gummipuffer (3 St.)         | rubber buffer (3 pieces)    |
| 74                     | 6450 138                | Buchse (3 St.)              | bush (3 pieces)             |
| 75                     | 0017 291                | Scheibe A 8,4 (3 St.)       | washer A 8,4 (3 pieces)     |
| 76                     | 2090 065                | Motor kpl.                  | motor compl.                |
| 77                     | 6450 136                | Kulisse                     | crank                       |
| 78                     | 6450 141                | Kupplung                    | coupling                    |
| 79                     | 0029 130                | Scheibenfeder               | woodruff key                |
| 80                     | 6450 317                | Lüfterrad                   | fan                         |
| 81                     | 4005 403                | Kupplungsbelag (2 St.)      | clutch facing (2 pieces)    |

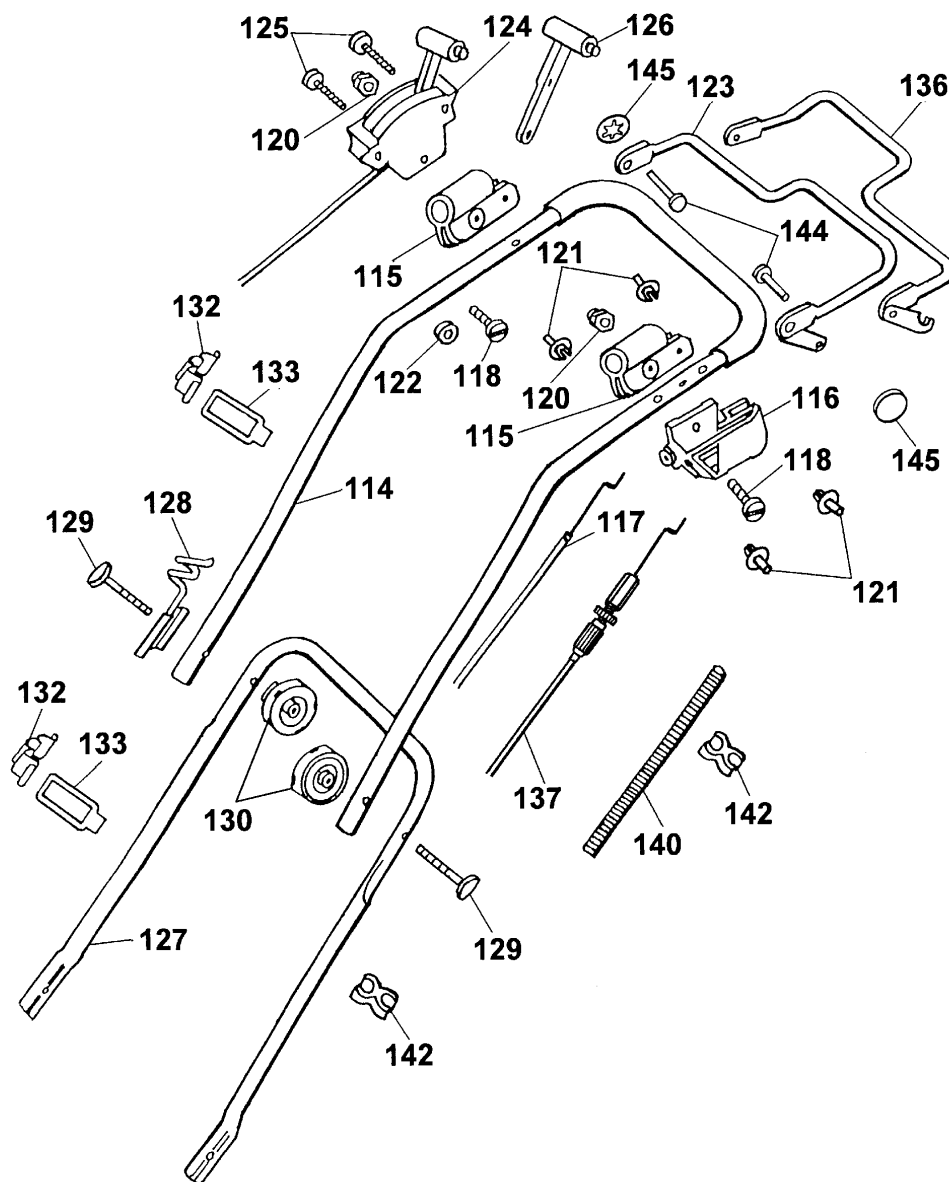


**Concept 43 KA "KIR" Motor, Gestell, Messer**  
**Concept 43 KA "KIR" Motor, Frame, Blade**

| Bild-Nr. /<br>Ref. No. | Best.-Nr. /<br>Part No. | Bezeichnung                  | Description                 |
|------------------------|-------------------------|------------------------------|-----------------------------|
| 82                     | 4350 094                | Messerbalken kpl. VI-W43     | cutter bar compl. VI-W43    |
| ***                    | 4350 040                | Ersatzklingen VI-W (1 Paar)  | repl. blades VI-W (1 pair)  |
| 83                     | 4840 402                | Kupplungsscheibe             | coupling disk               |
| 84                     | 0017 105                | Spannscheibe                 | spring washer               |
| 85                     | 0010 264                | 6kt.-Schraube 3/8"           | hex. screw 3/8"             |
| 86                     | 6450 309                | Lagerschale (2 St.)          | bearing shell (2 pieces)    |
| 87                     | 4961 313                | Stützschale, hinten (2 St.)  | shell, rear (2 pieces)      |
| 88                     | 6450 305                | Stützschale, vorne (2 St.)   | shell, front (2 pieces)     |
| 89                     | 6450 306                | Lagerschale, Antrieb (2 St.) | bearing shell, drive (2 p.) |
| 90                     | 0016 311                | 6kt. Mutter M6 (2 Stück)     | hex. nut M6 (2 pieces)      |
| 91                     | 0017 110                | Scheibe 6,4x25x2 (2 Stück)   | washer 6,4x25x2 (2 piec.)   |
| 92                     | 0017 289                | Scheibe A 6,4x18 (2 Stück)   | washer A 6,4x18 (2 piec.)   |
| 93                     | 0010 365                | 6kt.-Schraube (2 Stück)      | hex. screw (2 pieces)       |
| 94                     | 0039 214                | Keilriemen                   | v-belt                      |

**D** Concept 43 KA "KIR", Serie A, Griff kpl.

**GB** Concept 43 KA "KIR", Series A, Handlebar compl.

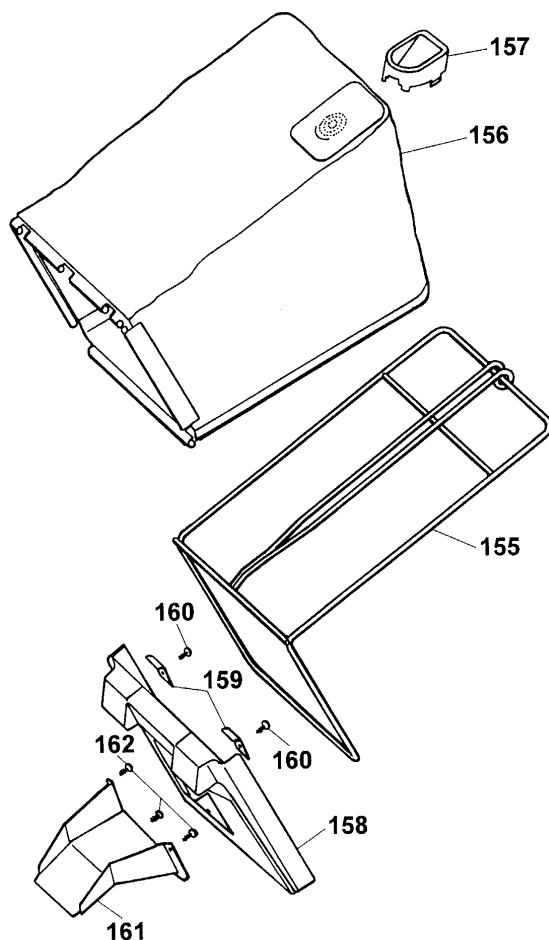


**Concept 43 KA "KIR" Griff kpl.  
Concept 43 KA "KIR" Handlebar compl.**

| <b>Bild-Nr. /<br/>Ref. No.</b> | <b>Best.-Nr. /<br/>Part No.</b> | <b>Bezeichnung</b>                  | <b>Description</b>            |
|--------------------------------|---------------------------------|-------------------------------------|-------------------------------|
| 114                            | 6450 923                        | Griffoberteil m. Softschlauch       | upper handlebar               |
| 115                            | 4720 105                        | Schelle (2 St.)                     | clamp (2 pieces)              |
| 116                            | 4015 306                        | Doppelstütze                        | double support                |
| 117                            | 4880 059                        | Bowdenzug, Bremse                   | bowden wire, brake            |
| 118                            | 0012 211                        | Zylinderschraube M6x25 (2 St.)      | screw M6x25 (2 pieces)        |
| 120                            | 0016 641                        | Hutmutter M6-5 (2 St.)              | nut M6-5 (2 pieces)           |
| 121                            | 6430 316                        | Spreizniet (4 St.)                  | body-bound rivet (4 piec.)    |
| 122                            | 4240 205                        | Distanzscheibe                      | washer                        |
| 124                            | 4355 055                        | Schaltgehäuse mit<br>Bowdenzug, Gas | case with bowden wire,<br>gas |
| 125                            | 0012 886                        | PT-Schraube KA60x30 (2 St.)         | screw KA 60x30 (2 piec.)      |
| 126                            | 4722 040                        | Verstellhebel                       | adjusting lever               |
| 127                            | 4317 122                        | Griffunterteil                      | lower handlebar               |
| 128                            | 6340 014                        | Seilführung                         | routing                       |
| 129                            | 4901 101                        | Verbindungsschr. M8x55 (2 St.)      | binding screw M8x55 (2 p.)    |
| 130                            | 4936 022                        | Handrad (2 St.)                     | handwheel (2 pieces)          |
| 132                            | 6340 312                        | Klammer (2 St.)                     | clip (2 pieces)               |
| 133                            | 6340 314                        | Schlaufe (2 St.)                    | strap (2 pieces)              |
| 136                            | 4015 035                        | Kupplungshebel                      | coupling lever                |
| 137                            | 4335 056                        | Bowdenzug, Antrieb                  | bowden wire, drive            |
| 140                            | 6450 318                        | Wellschlauch                        | protecting hose               |
| 142                            | 6660 301                        | Klemme (2 Stück)                    | clamp (2 pieces)              |
| 144                            | 0018 107                        | Bolzen (2 Stück)                    | bolt (2 pieces)               |
| 145                            | 3585 503                        | Hutclips (2 Stück)                  | retainer (2 pieces)           |
| ***                            | 0054 343                        | Gebrauchsanweisung                  | operator manual               |

**D** Fangeinrichtung kpl. 6450 072

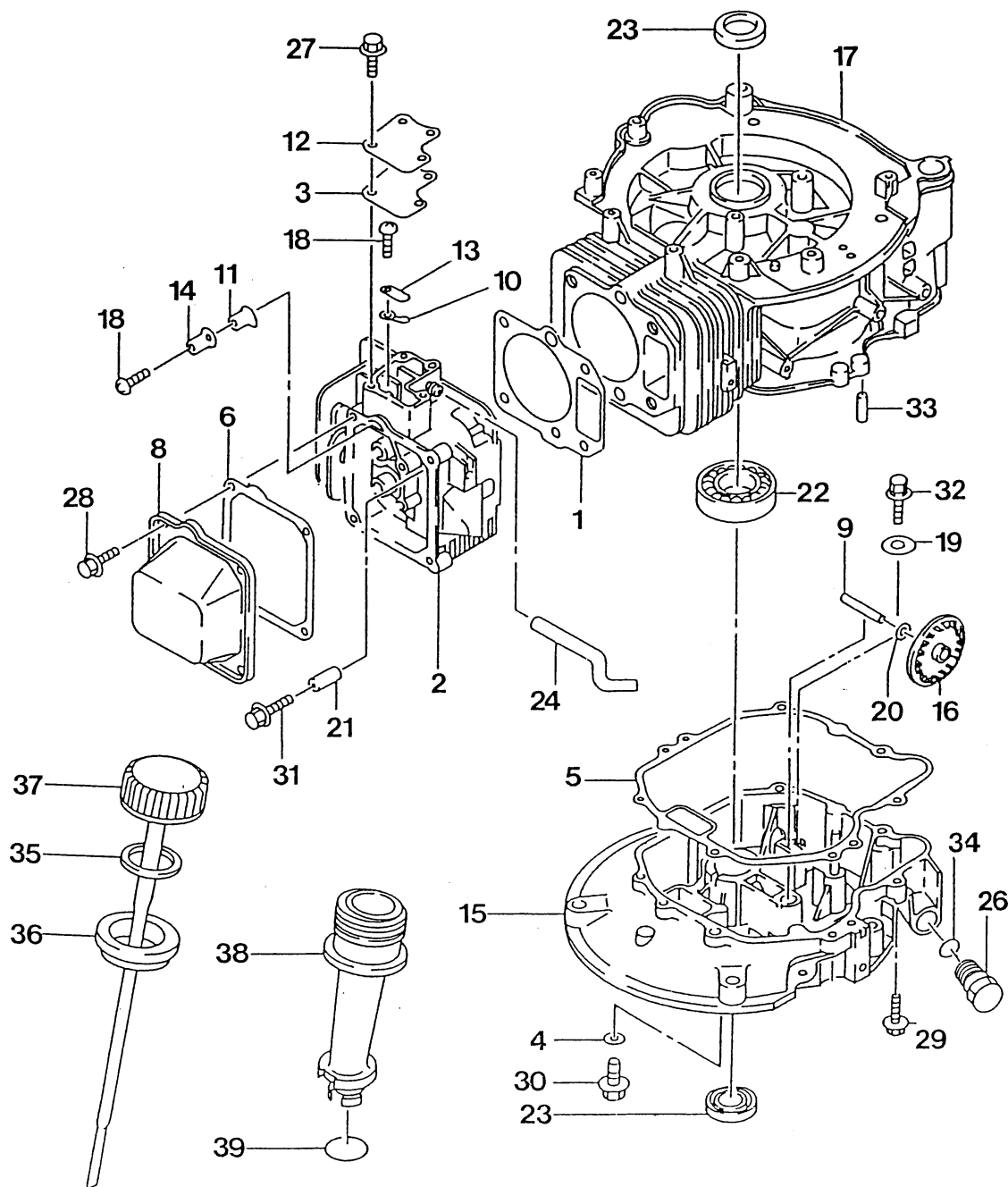
**GB** Grass collector compl. 6450 072



| Bild-Nr. /<br>Ref. No. | Best.-Nr. /<br>Part No. | Bezeichnung           | Description            |
|------------------------|-------------------------|-----------------------|------------------------|
| 155                    | 6450 064                | Fangsackgestell       | catcher frame          |
| 156                    | 6450 320                | Fangsacktuch          | catcher cloth          |
| 157                    | 4880 061                | Füllstandsanzeige     | fill indicator         |
| 158                    | 6450 308                | Mundstück             | opening                |
| 159                    | 6450 145                | Scharnier (2x)        | hinge                  |
| 160                    | 0012 890                | Schraube 60x18 (2x)   | screw 60x18 (2x)       |
| 161                    | 6450 322                | Schütte               | chute                  |
| 162                    | 0012 630                | Torx-Schr. 50x16 (3x) | screw 50x16 (3x)       |
| ***                    | 6450 072                | Fangeinrichtung kpl.  | grass collector compl. |

FC 150 V - #S 66 KurbelgehÄuse, Ölwanne

FC 150 V - #S 66 cylinder assembly, sump bases



**FC 150 V - #S 66 KurbelgehÄuse, Ölwanne**  
**FC 150 V - #S 66 Cylinder assembly, Sump bases**

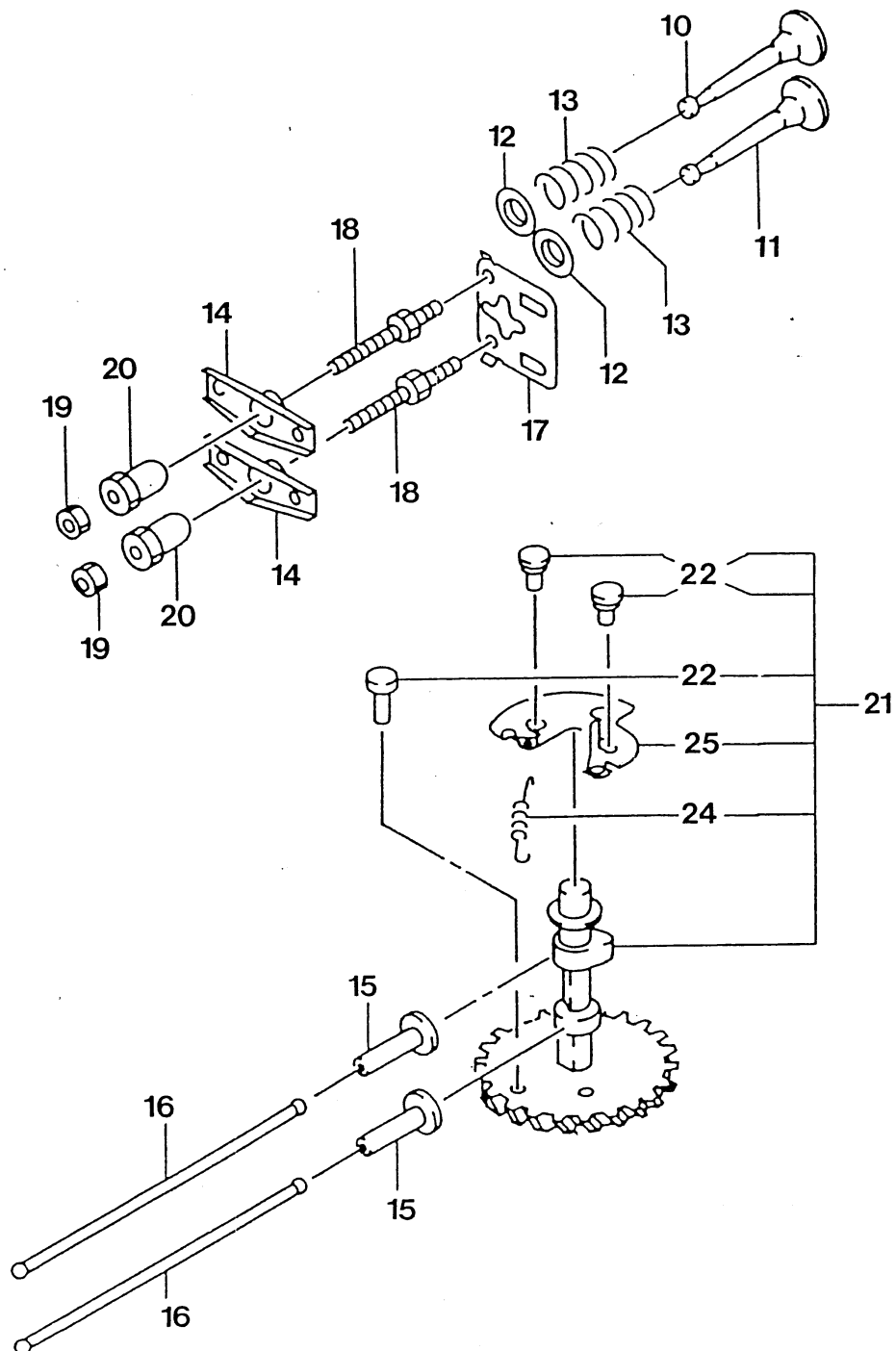
| Bild-Nr. /<br>Ref. No. | Best.-Nr. /<br>Part No. | Bezeichnung        | Description            | Part No.<br>Kawasaki |
|------------------------|-------------------------|--------------------|------------------------|----------------------|
| 1                      | 2090 101                | Zylinderkopfdicht. | gasket-head            | 11004-2099           |
| 2                      | 2090 100                | Zylinderkopf       | cylinder head          | 11008-6023           |
| 3                      | 2090 147                | Dichtung           | gasket-cover           | 11060-2007           |
| 4                      | 2090 103                | Scheibe            | gasket                 | 11009-2747           |
| 5                      | 2090 148                | Dichtung           | gasket-crankcase cover | 11060-2011           |
| 6                      | 2090 105                | Dichtung-Deckel    | gasket-rocker case     | 11009-2848           |
| 8                      | 2090 107                | Ventildeckel       | case-rocker            | 11022-2057           |
| 9                      | 2090 202                | Welle              | shaft                  | 13107-2202           |
| 10                     | 2096 522                | Platte             | plate                  | 13270-2049           |
| 11                     | 2096 523                | Platte             | plate                  | 13270-2050           |
| 12                     | 2090 110                | Deckel             | cover                  | 14090-2087           |
| 13                     | 2096 533                | Ventil             | valve                  | 16126-2201           |
| 14                     | 2096 534                | Ventil             | valve                  | 16126-2202           |
| 15                     | 2096 548                | Ölwanne            | cover-crankcase        | 49015-6139           |
| 16                     | 2090 203                | Schleuderrad       | slinger-oil            | 49073-2055           |
| 17                     | 2096 551                | Zylinder           | crankcase-comp         | 49120-2240           |
| 18                     | 2090 230                | Schraube           | screw                  | 92009-2166           |
| 19                     | 2090 231                | Scheibe            | washer                 | 92200-2033           |
| 20                     | 2090 232                | Scheibe            | washer                 | 92200-2034           |
| 21                     | 2090 113                | Hülse              | pin                    | 92043-1264           |
| 22                     | 2090 233                | Kugellager         | bearing-ball           | 601 B-6205           |
| 23                     | 2090 234                | Simmerring         | seal-oil               | 92049-2208           |
| 24                     | 2090 114                | Schlauch           | tube                   | 92059-2256           |
| 26                     | 2090 223                | Ölablaßschraube    | plug                   | 92066-2176           |
| 27                     | 2090 115                | Schraube           | screw                  | 130 B-0510           |
| 28                     | 2090 116                | Schraube           | screw                  | 130 B-0612           |
| 29                     | 2090 224                | Schraube           | screw                  | 130 G-0625           |
| 30                     | 2090 213                | Schraube           | screw                  | 130 G-0812           |

**FC 150 V - #S 66 KurbelgehÄuse, Ölwanne**  
**FC 150 V - #S 66 Cylinder assembly, Sump bases**

| <b>Bild-Nr. /<br/>Ref. No.</b> | <b>Best.-Nr. /<br/>Part No.</b> | <b>Bezeichnung</b> | <b>Description</b> | <b>Part No.<br/>Kawasaki</b> |
|--------------------------------|---------------------------------|--------------------|--------------------|------------------------------|
| 31                             | 2090 117                        | Schraube           | screw              | 130 G-0845                   |
| 32                             | 2090 214                        | Schraube           | screw              | 187 B-0510                   |
| 33                             | 2090 215                        | Stift              | pin                | 551 A-0612                   |
| 34                             | 2090 216                        | O-Ring             | o-ring             | 670 D-2015                   |
| 35                             | 2090 217                        | Dichtung           | gasket-oil gauge   | 11009-2346                   |
| 36                             | 2090 218                        | Führung            | guide              | 13070-2078                   |
| 37                             | 2090 219                        | Meßstab            | gauge              | 52005-2106                   |
| 38                             | 2090 220                        | Öleinfüllrohr      | filler             | 59231-2071                   |
| 39                             | 2090 221                        | O-Ring             | o-ring             | 670 D-2016                   |

**FC 150 V - #S 66 Kurbelwelle, Kolben, Pleuel, Ventile**

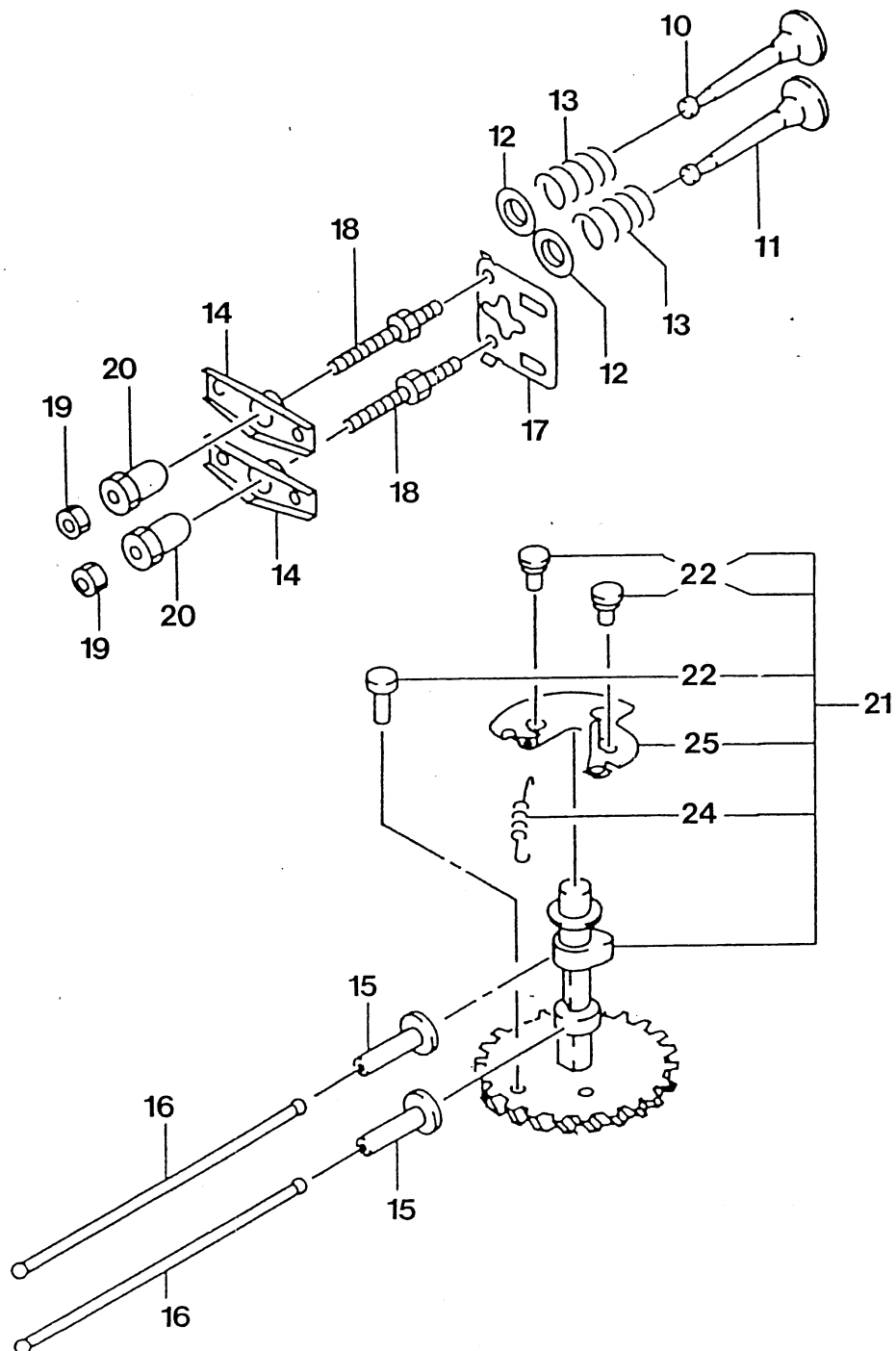
**FC 150 V - #S 66 crankshaft, spiston, connecting rod, valve**





**FC 150 V - #S 66 Kurbelwelle, Kolben, Pleuel, Ventile**

**FC 150 V - #S 66 crankshaft, spiston, connecting rod, valve**

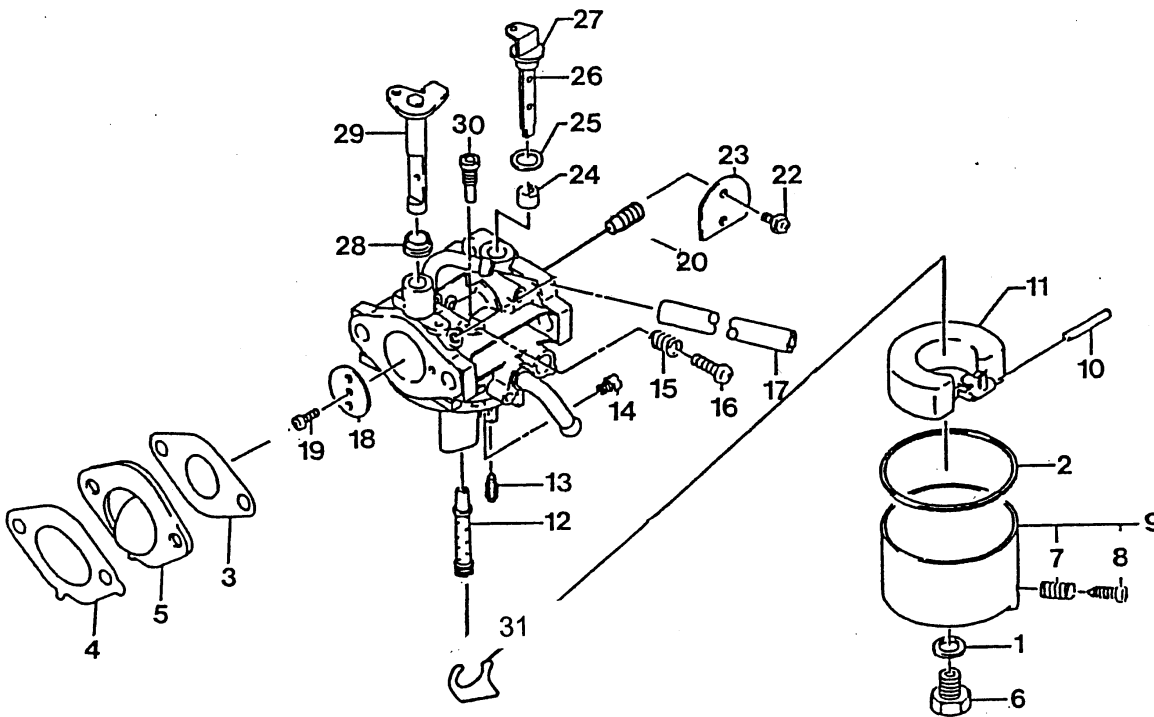


**FC 150 V - #S 66 Kurbelwelle, Kolben, Pleuel, Ventile**  
**FC 150 V - #S 66 Crankshaft, Piston, Con-rod, Valves**

| <b>Bild-Nr. /<br/>Ref. No.</b> | <b>Best.-Nr. /<br/>Part No.</b> | <b>Bezeichnung</b> | <b>Description</b>    | <b>Part No.<br/>Kawasaki</b> |
|--------------------------------|---------------------------------|--------------------|-----------------------|------------------------------|
| 1                              | 2090 118                        | Kolben             | piston assembly       | 13001-2109                   |
| 2                              | 2090 122                        | Bolzen             | pin-piston            | 13002-2074                   |
| 3                              | 2090 123                        | Sicherung          | ring-snap             | 92033-2161                   |
| 4                              | 2096 512                        | Kolbenringe        | ring-set piston       | 13008-6030                   |
| 5                              | 2096 518                        | Kurbelwelle        | crankshaft            | 13037-2453                   |
| 6                              | 2090 051                        | Pleuelstange kpl.  | rod-assy-connecting   | 13251-6025                   |
| 7                              | 2090 128                        | Zahnrad            | gear-helical          | 59056-2726                   |
| 8                              | 2090 129                        | Keil               | key                   | 92038-2093                   |
| 9                              | 2090 130                        | Schraube           | screw                 | 92150-2122                   |
| 10                             | 2090 131                        | Ventil-Einlaß      | valve-intake          | 12004-2090                   |
| 11                             | 2090 132                        | Ventil-Auslaß      | valve-exhaust         | 12005-2074                   |
| 12                             | 2096 510                        | Ventilteller       | retainer-valve spring | 12009-2068                   |
| 13                             | 2090 250                        | Ventilfeder        | spring-engine valve   | 49078-2073                   |
| 14                             | 2096 511                        | Hebel              | arm-rocker            | 12016-2062                   |
| 15                             | 2090 136                        | Ventilstößel       | tappet                | 12032-2065                   |
| 16                             | 2090 137                        | Ventilwelle        | rod-push              | 13116-2065                   |
| 17                             | 2090 138                        | Führung            | guide                 | 13070-2072                   |
| 18                             | 2090 139                        | Einstellschraube   | bolt                  | 92150-2102                   |
| 19                             | 2090 140                        | Mutter             | nut                   | 92015-2240                   |
| 20                             | 2090 141                        | Mutter             | nut                   | 92015-2253                   |
| 21                             | 2090 063                        | Nockenwelle        | camshaft-comp         | 49118-2118                   |
| 22                             | 2090 142                        | Stift              | pin                   | 92043-2168                   |
| 24                             | 2090 144                        | Feder              | spring                | 92081-2342                   |
| 25                             | 2096 536                        | Druckplatte        | decompressor          | 21118-2090                   |

**FC 150 V - #S 66 Vergaser**

**FC 150 V - #S 66 carburetor**

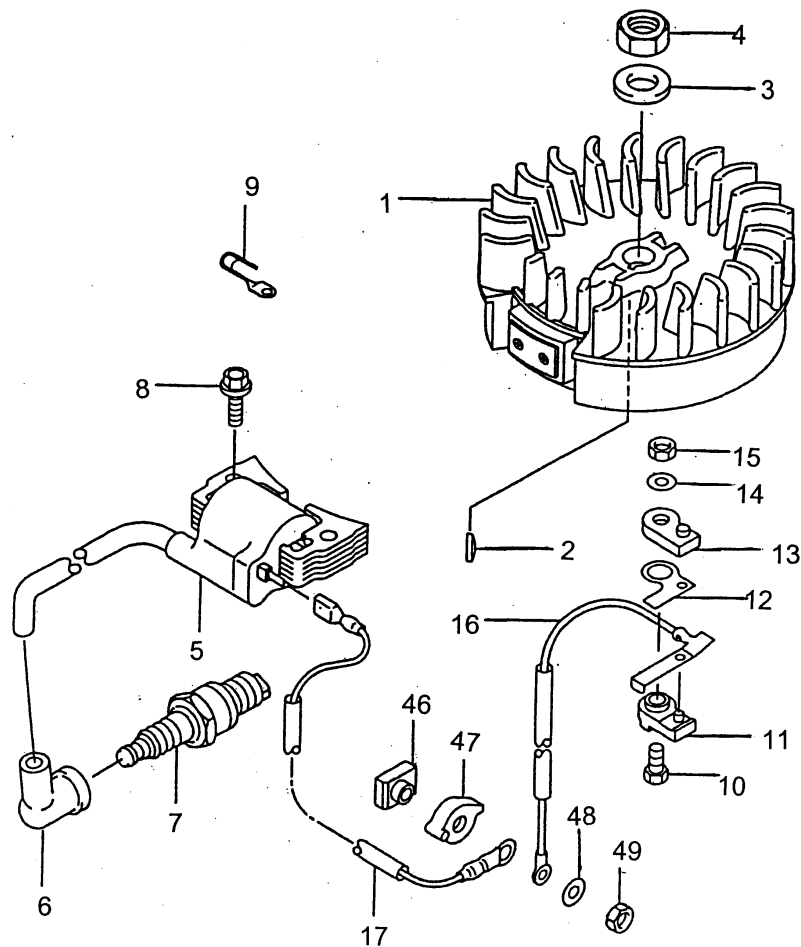


**FC 150 V - #S 66 Vergaser**  
**FC 150 V - #S 66 Carburetor**

| Bild-Nr. /<br>Ref. No. | Best.-Nr. /<br>Part No. | Bezeichnung         | Description    | Part No.<br>Kawasaki |
|------------------------|-------------------------|---------------------|----------------|----------------------|
| 1                      | 2096 501                | Dichtung            | gasket         | 11009-2036           |
| 2                      | 2096 502                | Dichtung            | gasket         | 11009-2037           |
| 3                      | 2095 450                | Dichtung            | gasket         | 11060-2010           |
| 4                      | 2095 451                | Dichtung            | gasket         | 11060-2012           |
| 5                      | 2090 242                | Isolator            | insulator      | 16073-2193           |
| 6                      | 2096 557                | Schraube            | screw          | 92002-2011           |
| 7                      | 2096 574                | Feder               | spring         | 92081-2009           |
| 8                      | 2096 559                | Ablaßschraube       | screw          | 92009-2015           |
| 9                      | 2096 528                | Schwimmer kpl.      | chamber-float  | 16020-2052           |
| 10                     | 2096 570                | Stift               | dowel pin      | 92043-2006           |
| 11                     | 2090 465                | Schwimmer           | float          | 16031-2058           |
| 12                     | 2096 552                | Düsenrohr           | nozzle-main    | 49121-2189           |
| 13                     | 2095 452                | Nadelventil         | valve-float    | 16030-2083           |
| 14                     | 2090 462                | Hauptdüse, 68,8     | jet-main, 68,8 | 92063-2096           |
| 15                     | 2096 574                | Feder               | spring         | 92081-2009           |
| 16                     | 2090 461                | Schraube            | screw          | 214 B-0412           |
| 17                     | 2096 581                | Schlauch            | tube           | 92190-2163           |
| 18                     | 2096 529                | Drosselklappe       | valve-throttle | 16025-2001           |
| 19                     | 2096 560                | Schraube            | screw          | 92009-2024           |
| 20                     | 2096 530                | Luftstelldüse, 0,9  | jet-air, 0,9   | 16035-2063           |
| 22                     | 2090 452                | Schraube            | screw          | 92009-2149           |
| 23                     | 2096 532                | Schokerklappe       | valve-choke    | 16126-2199           |
| 24                     | 2096 565                | Ring                | collar         | 92027-2003           |
| 25                     | 2096 577                | Dichtring           | seal           | 92093-2101           |
| 26                     | 2095 455                | Schokerwelle        | shaft-choke    | 16041-2197           |
| 27                     | 2096 566                | Ring                | collar         | 92027-2004           |
| 28                     | 2090 460                | Hülse               | collar         | 92143-2143           |
| 29                     | 2090 457                | Drosselklappenwelle | shaft-throttle | 16041-2178           |
| 30                     | 2096 572                | Leerlaufdüse, 45    | jet-pilot, 45  | 92064-2002           |
| 31                     | 2096 567                | Schnapping          | ring-snap      | 92033-2067           |
| ***                    | 2096 527                | Vergaser kpl.       | carburetor     | 15003-22364          |

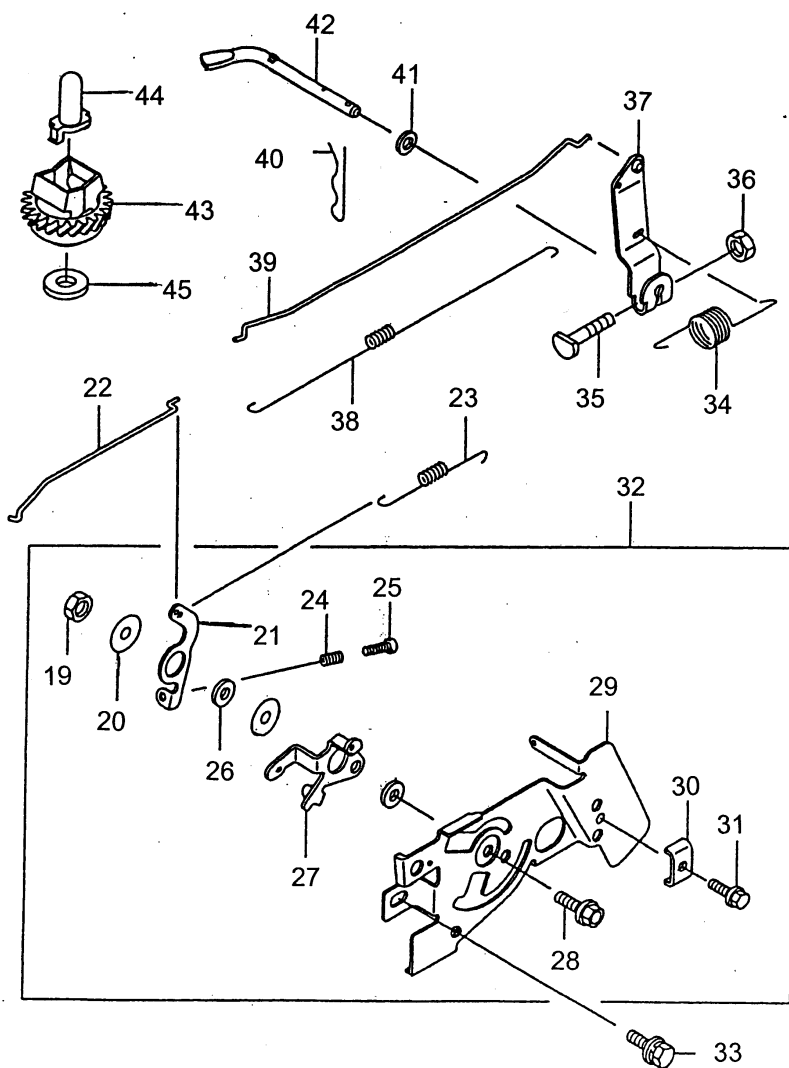
**FC 150 V - #S 66 Polrad, Zündspule, Regelung**

**FC 150 V - #S 66 flywheel, electrical, controls**



**FC 150 V - #S 66 Polrad, Zündspule, Regelung**

**FC 150 V - #S 66 flywheel, electrical, controls**



**FC 150 V - #S 66 Polrad, Zündspule, Regelung**  
**FC 150 V - #S 66 Flywheel, Electrical, Control**

| Bild-Nr. /<br>Ref. No. | Best.-Nr. /<br>Part No. | Bezeichnung     | Description        | Part No.<br>Kawasaki |
|------------------------|-------------------------|-----------------|--------------------|----------------------|
| 1                      | 2096 538                | Schwungrad      | flywheel           | 21194-2290           |
| 2                      | 2090 301                | Schwungradkeil  | key-flywheel       | 92038-2077           |
| 3                      | 2096 159                | Scheibe         | washer             | 92200-2079           |
| 4                      | 2090 303                | Mutter          | nut-hex-fine       | 314 G-1400           |
| 5                      | 2096 537                | Zündspule       | coil-assy-ignition | 21171-2200           |
| 6                      | 2090 305                | Kerzenstecker   | cap-spark plug     | 21130-2060           |
| 7                      | 2095 306                | Zündkerze       | plug-spark         | 92070-2088           |
| 8                      | 2090 224                | Schraube        | screw              | 130 G-0625           |
| 9                      | 2095 307                | Klammer         | clamp              | 92170-2064           |
| 10                     | 2096 506                | Schraube        | screw              | 112 B-0516           |
| 11                     | 2090 237                | Schutzkappe     | cover              | 14090-2107           |
| 12                     | 2096 524                | Platte          | plate              | 13270-2056           |
| 13                     | 2090 241                | Isolierung      | insulator          | 16073-2192           |
| 14                     | 2090 313                | Scheibe         | w-plain-s          | 410 B-0500           |
| 15                     | 2090 314                | Mutter          | nut                | 311 B-0500           |
| 16                     | 2096 540                | Kurzschlußkabel | wire-lead          | 26011-2191           |
| 17                     | 2090 246                | Kurzschlußkabel | wire-lead          | 26011-2354           |
| 19                     | 2096 561                | Mutter          | nut                | 92015-2051           |
| 20                     | 2090 329                | Scheibe         | washer             | 92037-2209           |
| 21                     | 2090 319                | Hebel           | lever              | 13168-2288           |
| 22                     | 2090 320                | Schokergestänge | link-choke         | 16169-2124           |
| 23                     | 2090 249                | Feder           | spring             | 39129-2067           |
| 24                     | 2090 254                | Feder           | spring             | 92145-2052           |
| 25                     | 2090 324                | Schraube        | screw              | 214 B-0420           |
| 26                     | 2090 325                | Muffe           | collar             | 92143-2135           |
| 27                     | 2090 326                | Hebel           | lever              | 13168-2305           |
| 28                     | 2090 327                | Schraube        | screw              | 130 B-0616           |
| 29                     | 2096 556                | Steuerplatte    | panel-control      | 59226-2293           |

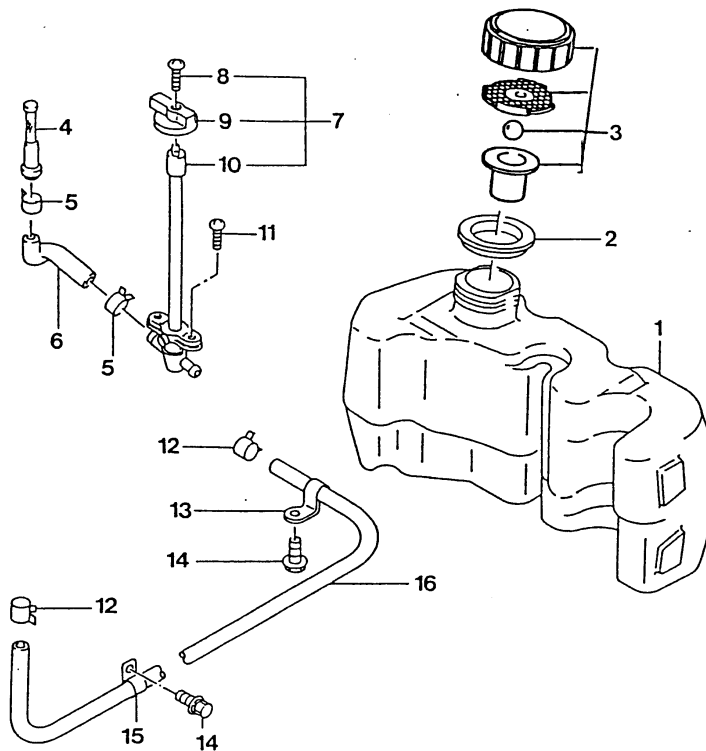
**FC 150 V - #S 66 Polrad, Zündspule, Regelung**  
**FC 150 V - #S 66 Flywheel, Electrical, Control**

| Bild-Nr. /<br>Ref. No. | Best.-Nr. /<br>Part No. | Bezeichnung       | Description        | Part No.<br>Kawasaki |
|------------------------|-------------------------|-------------------|--------------------|----------------------|
| 30                     | 2090 329                | Klemme            | clamp              | 92037-2209           |
| 31                     | 2090 330                | Schraube          | screw              | 92150-2182           |
| 32                     | 2090 053                | Reglerplatte kpl. | panel-assy-control | 39180-2905           |
| 33                     | 2090 331                | Schraube          | screw              | 187 B-0614           |
| 34                     | 2095 323                | Feder             | spring             | 92144-2266           |
| 35                     | 2090 333                | Schraube          | screw              | 92002-2269           |
| 36                     | 2090 334                | Mutter            | nut                | 92015-1193           |
| 37                     | 2090 054                | Hebel             | arm-assy           | 21187-2060           |
| 38                     | 2090 335                | Feder             | spring-link        | 92081-2299           |
| 39                     | 2090 336                | Gestänge          | link               | 16171-2080           |
| 40                     | 2090 337                | Klemmstift        | pin-snap           | 554 A-0600           |
| 41                     | 2095 338                | Scheibe           | washer             | 92200-2029           |
| 42                     | 2095 339                | Hebelarm          | arm-pivot          | 39003-2071           |
| 43                     | 2096 549                | Regler            | governor-assy      | 49110-2081           |
| 44                     | 2090 340                | Buchse            | sleeve             | 42036-2051           |
| 45                     | 2090 341                | Scheibe           | washer             | 92022-2019           |
| 46                     | 2090 243                | Isolierung        | insulator          | 16073-2194           |
| 47                     | 2090 238                | Schutzkappe       | cover              | 14090-2108           |
| 48                     | 2096 160                | Scheibe           | washer             | 410 B0400            |
| 49                     | 2090 247                | Mutter            | nut                | 311 B0400            |



**FC 150 V - #S 66 Tank**

**FC 150 V - #S 66 fuel tank**

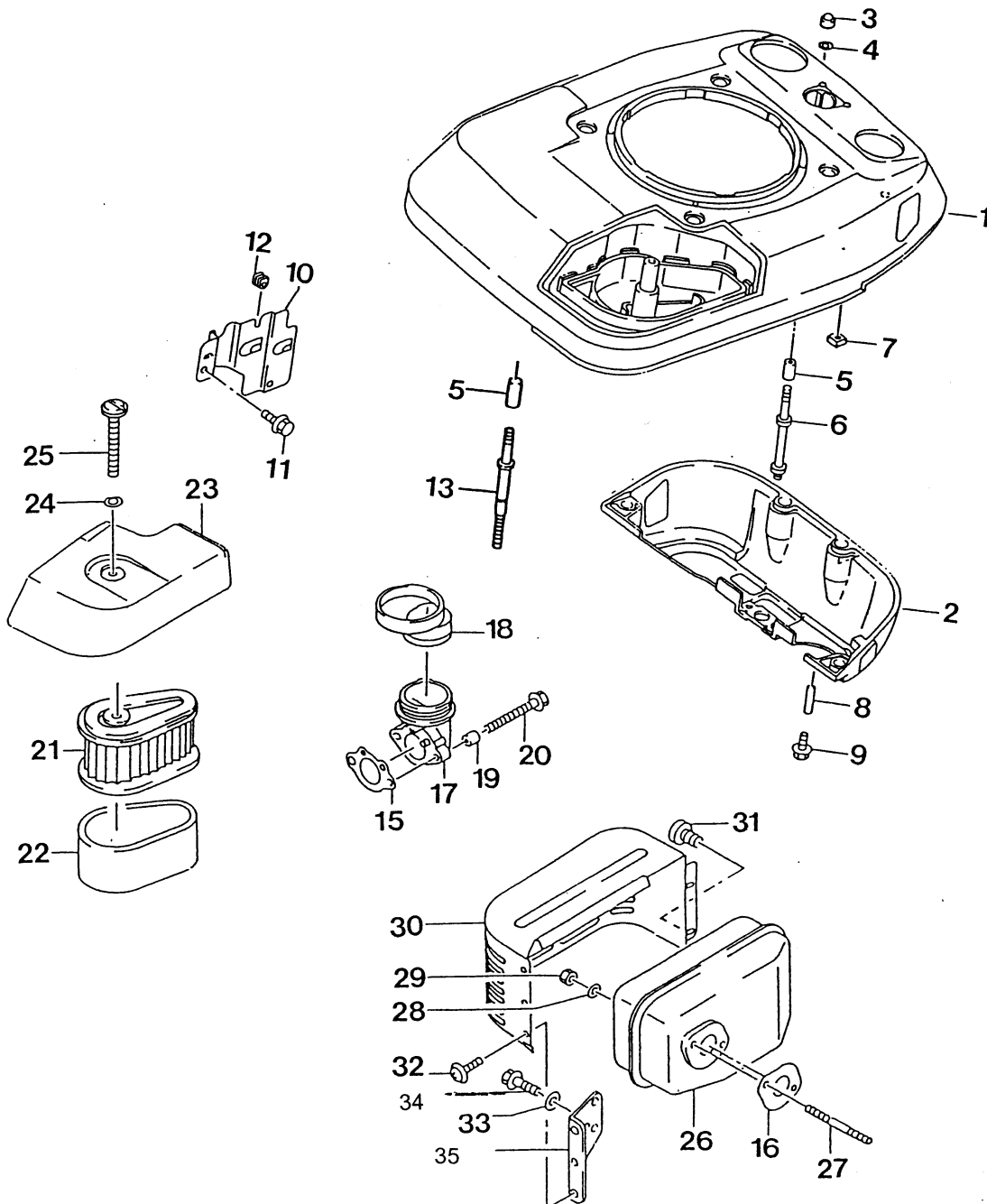


**FC 150 V - #S 66 Tank**  
**FC 150 V - #S 66 Fuel tank**

| Bild-Nr. /<br>Ref. No. | Best.-Nr. /<br>Part No. | Bezeichnung     | Description    | Part No.<br>Kawasaki |
|------------------------|-------------------------|-----------------|----------------|----------------------|
| 1                      | 2090 501                | Tank            | tank-comp-fuel | 51001-2214           |
| 2                      | 2090 502                | Dichtung        | guide          | 13070-2077           |
| 3                      | 2090 503                | Tankdeckel      | cap-assy-tank  | 51048-2070           |
| 4                      | 2090 504                | Filter          | filter-fuel    | 49019-2091           |
| 5                      | 2090 505                | Klammer         | clamp          | 92170-2009           |
| 6                      | 2090 506                | Leitung         | tube           | 92059-2262           |
| 7                      | 2090 057                | Benzinhahn kpl. | filter-fuel    | 49019-2094           |
| 8                      | 2090 507                | Schraube        | screw          | 92009-2296           |
| 9                      | 2090 508                | Knopf           | lever          | 13168-2303           |
| 10                     | 2090 509                | Rohr            | filter-comp    | 16104-2052           |
| 11                     | 2090 510                | Schraube        | screw          | 233 B-0510           |
| 12                     | 2090 511                | Klammer         | clamp          | 92170-2043           |
| 13                     | 2090 512                | Klammer         | clamp          | 92170-2037           |
| 14                     | 2090 513                | Schraube        | screw          | 130 B-0612           |
| 15                     | 2090 514                | Klammer         | clamp          | 92037-2202           |
| 16                     | 2090 515                | Benzinleitung   | tube           | 92190-2068           |

**FC 150 V - #S 66 Abdeckung, Luftfilter, Schalldämpfer**

**FC 150 V - #S 66 covers, air cleaner, muffler**



**FC 150 V - #S 66 Abdeckung, Luftfilter, Schalldämpfer**  
**FC 150 V - #S 66 Covers, Air cleaner, Muffler**

| Bild-Nr. /<br>Ref. No. | Best.-Nr. /<br>Part No. | Bezeichnung          | Description             | Part No.<br>Kawasaki |
|------------------------|-------------------------|----------------------|-------------------------|----------------------|
| 1                      | 2095 401                | Abdeckhaube          | cover-upper             | 14090-2007           |
| 2                      | 2095 402                | Abdeckung            | cover-lower             | 14090-2011           |
| 3                      | 2090 403                | Mutter               | nut                     | 92015-1170           |
| 4                      | 2090 256                | Scheibe              | washer                  | 92200-2078           |
| 5                      | 2090 405                | Distanzhülse         | spacer                  | 92026-2274           |
| 6                      | 2090 406                | Bolzen               | stud                    | 92004-2117           |
| 7                      | 2090 407                | Mutter               | nut                     | 92015-2241           |
| 8                      | 2090 408                | Distanzhülse         | spacer                  | 92026-2273           |
| 9                      | 2090 224                | Schraube             | screw                   | 130 G-0625           |
| 10                     | 2096 526                | Platte               | cover                   | 14090-2074           |
| 11                     | 2090 115                | Schraube             | screw                   | 130 B-0510           |
| 12                     | 2095 410                | Manschette           | grommet                 | 92071-2113           |
| 13                     | 2096 558                | Bolzen-#S 66         | stud                    | 92004-2119           |
| 15                     | 2095 411                | Dicht.-Ansaugkrümmer | gasket-intake pipe      | 11060-2067           |
| 16                     | 2095 412                | Dicht.-Schalldämpfer | gasket-muffler          | 11060-2401           |
| 17                     | 2090 240                | Ansaugkrümmer        | pipe-intake             | 16060-2182           |
| 18                     | 2090 414                | Ansaugrohr           | tube                    | 92059-2257           |
| 19                     | 2090 415                | Distanzhülse         | spacer                  | 92026-2272           |
| 20                     | 2090 416                | Schraube             | screw                   | 186 B-0680           |
| 21                     | 2090 361                | Filter               | element-air filter      | 11013-2175           |
| 22                     | 2090 360                | Vorfilter            | element-air filter      | 11013-2174           |
| **                     | 2090 362                | Filter kpl.          | element-assy-air-filter | 11029-2010           |
| 23                     | 2095 419                | Deckel-Filter        | cap-air filter          | 11012-2311           |
| 24                     | 2090 256                | Scheibe              | washer                  | 92200-2078           |
| 25                     | 2090 421                | Schraube             | screw                   | 92150-2152           |
| 26                     | 2090 422                | Schalldämpfer        | muffler                 | 49070-2491           |
| 27                     | 2090 423                | Schraube             | screw                   | 172 G-0680           |
| 28                     | 2090 424                | Scheibe              | washer                  | 92200-2032           |
| 29                     | 2090 425                | Mutter               | nut                     | 92015-1193           |
| 30                     | 2090 426                | Hitzeschutz          | cover-muffler           | 49106-2446           |
| 31                     | 2095 427                | Schraube             | screw                   | 92009-2308           |
| 32                     | 2090 428                | Schraube             | screw                   | 92009-2166           |
| 33                     | 2090 429                | Scheibe              | washer                  | 411 B-0500           |
| 34                     | 2096 539                | Schraube             | screw                   | 214 B0510            |
| 35                     | 2096 505                | Halter               | bracket                 | 11049-2002           |

**FC 150 V - #S 66 Starter, Bremse**

**FC 150 V - #S 66 blower housing, brake**

