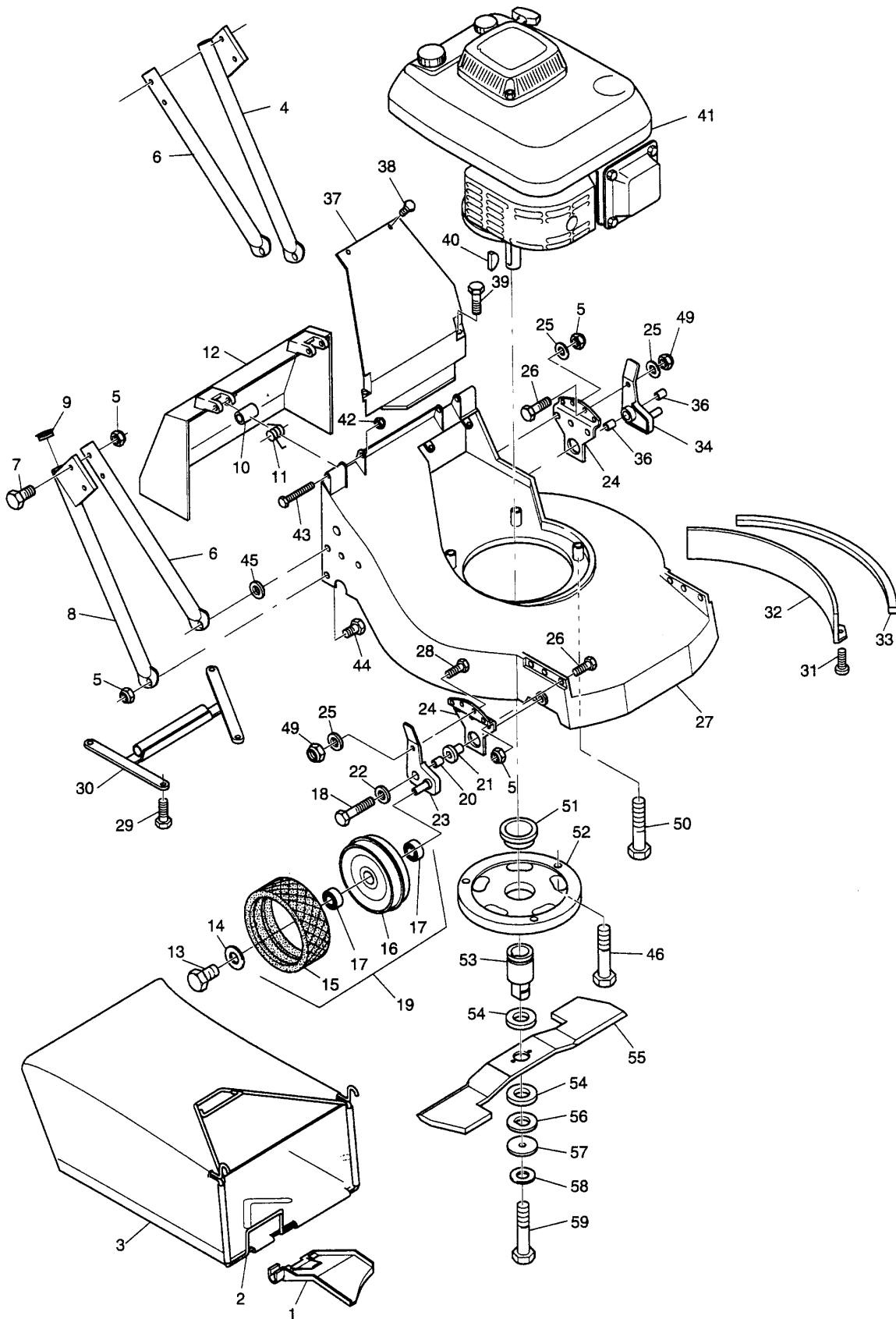


50 AH - PRO Serie A

Ausstattung Benzinmäher

| | |
|---------------------|--|
| Typ / Kurzbez. | 50 AH - PRO (Moto-Verte) |
| Ausführung für | International |
| Geräte - Nummer | 6067 000 |
| Schnittbreite | 53 cm |
| Chassismaterial | Alu - Druckguß |
| Lautstärke dB (A) | 98 dB (A) |
| Gewicht | 65 kg |
| Höhenverstellung | Einzelrad / 3 Stufen |
| Schnitthöhe (mm) | 23 - 85 |
| Antrieb ja/nein | ja |
| Motor - Hersteller | Kawasaki / Einzelteile siehe Fiche Motorenhersteller |
| Motor - Modell | FC 180 |
| Motor - Nummer WOLF | 2096 080 |
| Tankinhalt | 2,5 l |
| Nennleistung | 3,7 kW (5,0 PS) |
| Zündkerze | NGK BP 5 ES |
| Luftfilter | Papier / Schaumstoff |
| Fangkorb | Sack / 80 l |

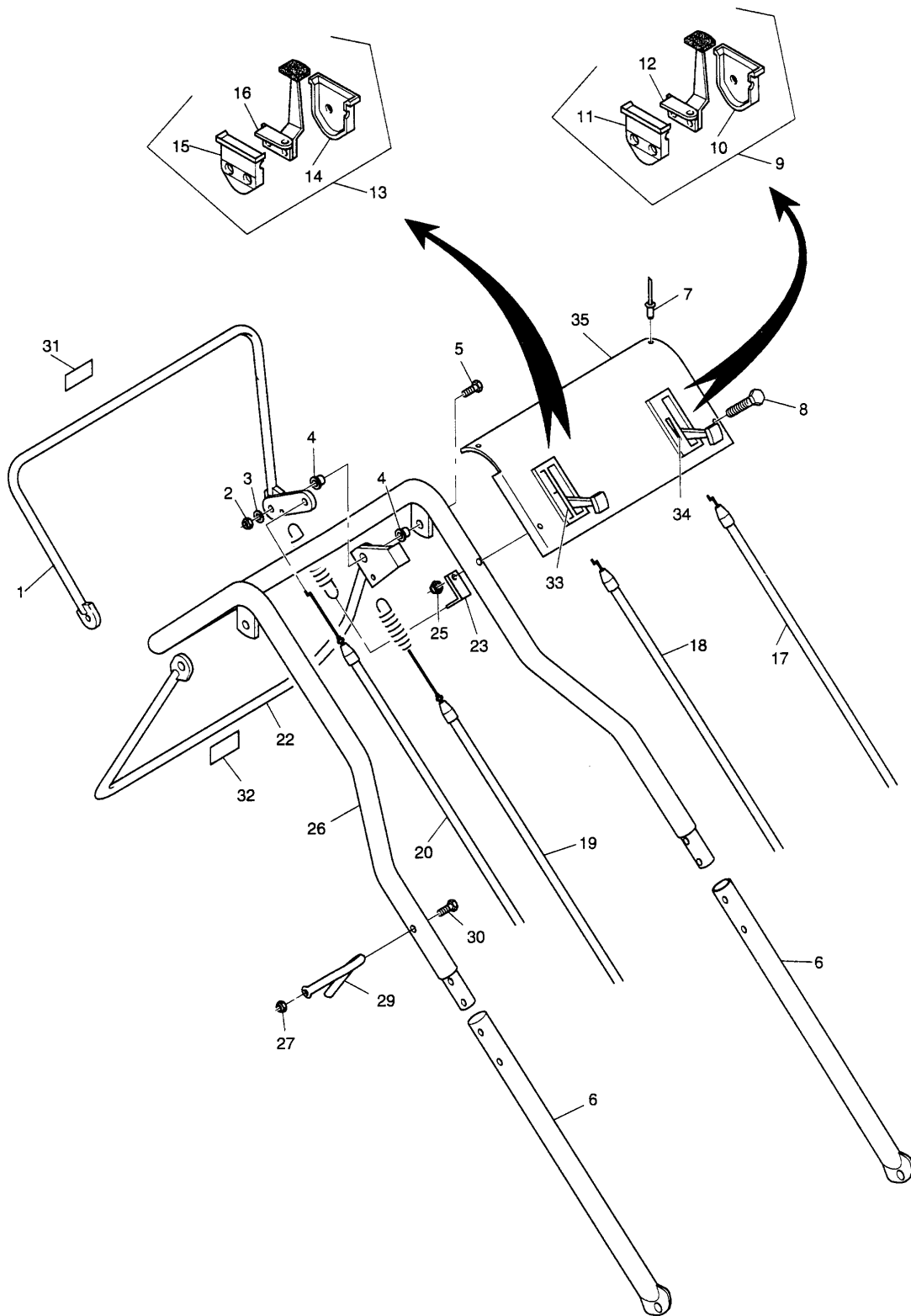
NR:6067 000 Bezeichnung: 50AH- PRO Gruppe: BenzinmÄher Jahr: 98 Typ:



NR:6067 000 Bezeichnung: 50AH- PRO Gruppe: Benzinmäher Jahr: 98 Typ:

| Pos. | Wolfteilmr. | Bezeichnung Mähgehäuse AH-PRO | Description Deck AH-PRO | Description Chassis AH-PRO | Descrizione Scocca AH-PRO | Menge/Qty. |
|------|-------------|----------------------------------|----------------------------|-------------------------------|------------------------------|------------|
| 1 | 6067118 | Leitblech | Chute door | Défecteur | Scivolo erba | 1 |
| 2 | 6067061 | Gestell | Bag frame | Monture | Telaio Cestello | 1 |
| 3 | 6067062 | Grasfangsack | Grass bag | Sac de ramassage | Sacco | 1 |
| 4 | | Stützrohr, links | Reinforcement | Reinforcement | Rinforzo stegola | 1 |
| 5 | 0016312 | Skt.-Mutter | Hex.-nut | Écrou | Dado | 16 |
| 6 | 6065129 | Holmunterteil | Lower handlebar | Guidon inférieur | Stegola inf. | 2 |
| 7 | 0010336 | Skt.-Schraube | Hex.-screw | Vis | Vite | 4 |
| 8 | 6065020 | Stützrohr, rechts | Reinforcement | Reinforcement | Rinforzo stegola | 1 |
| 9 | 6065310 | Stopfen | Plug | Bouchon | Tappo | 2 |
| 10 | 6067122 | Abstandsstück | Spacer | Douille | Distanziale | 2 |
| 11 | 6067121 | Feder | Spring | Ressort | Molla Portello | 2 |
| 12 | 6067120 | Klappe | Shield | Protection | Portello | 1 |
| 13 | 0010385 | Schraube | Screw | Vis | Vite | 8 |
| 14 | | Scheibe | Washer | Rondelle | Rondella | 4 |
| 15 | 6065311 | Decke | Tire | Pneu | Copertone | 2 |
| 16 | 6065500 | Vorderfelge | Front rear | Jante ant. | Cerchione | 2 |
| 17 | 6065184 | Lager | Bearing | Palier | Cuscinetto | 4 |
| 18 | 6065139 | Skt.-Schraube | Hex.-screw | Vis | Vite | 2 |
| 19 | 6065040 | Rad kpl. vorne | Wheel | Roue | Ruota | 2 |
| 20 | 6067112 | Buchse | Bushing | Douille | Bussola | 2 |
| 21 | 6065190 | Buchse | Bushing | Douille | Bussola | 2 |
| 22 | 6067113 | Ferderring | Lock washer | Rondelle | Molla | 2 |
| 23 | 6065432 | Radhebel vorne rechts | Right wheel lever | Levier roue droite | Leva ant. Dx | 1 |
| O.B. | 6065454 | Radhebel vorne links | Left wheel lever | Levier roue gauche | Leva ant. Sx | 1 |
| 24 | 6065121 | Radhöhenverstellung | Elevation adjustment | Réglage de hauteur de coupe | Piastra di Regolazione | 4 |
| 25 | 0017123 | U-Scheibe | Washer | Rondelle | Rondella | 4 |
| 26 | 6065153 | Befest.-Schraube | Screw | Vis | Vite | 4 |
| 27 | 6067300 | Mäh Gehäuse | Deck | Chassis | Scocca | 1 |
| 28 | 0010385 | Skt.-Schraube | Hex.-screw | Vis | Vite | 4 |
| 29 | 0010357 | Skt.-Schraube | Hex.-screw | Vis | Vite | 4 |
| 30 | 6067104 | Versteifung | brace | Reinforcement | Traversino | 1 |
| 31 | 0010383 | Skt.-Schraube | Hex.-screw | Vis | Vite | 6 |
| 32 | 6067105 | Verstärkung | Reinforcement | Reinforcement | Rinforzo interno | 1 |
| 33 | 6065126 | Verstärkung | Reinforcement | Reinforcement | Rinforzo laterale | 2 |
| 34 | 6065433 | Radhebel hinten links | Left wheel lever | Levier roue gauche | Leva sx | 1 |
| O.B. | 6065455 | Radhebel hinten rechts | Right wheel lever | Levier roue droite | Leva dx | 1 |
| 36 | | Lager | Bearing | Palier | Cucinetto | 4 |
| 37 | 6067209 | Abdeckung | Cover | Protection | Copricinghia | 1 |
| 38 | 6067106 | Schraube | Screw | Vis | Vite | 2 |
| 39 | 6067108 | Schraube | Screw | Vis | Vite | 2 |
| 40 | 6067115 | Scheibenfeder | Key | Clavette | Linguetta | 1 |
| 41 | 2096080 | Motor | Engine | Moteur | Motore | 1 |
| 42 | 6065161 | Skt.-Mutter | Hex.-nut | Écrou | Dado | 2 |
| 43 | 6067114 | Skt.-Schraube | Hex.-screw | Vis | Vite | 2 |
| 44 | 6065140 | Schraube | Screw | Vis | Vite | 4 |
| 45 | 6065448 | Distanzbuchse | Bushing | Douille | Spessore | 2 |
| 46 | 6065146 | Schraube | Screw | Vis | Vite | 1 |
| 49 | 0016213 | Mutter | Nut | Écrou | Dado | 4 |
| 50 | 6065134 | Skt.-Schraube | Hex.-screw | Vis | Vite | 3 |
| 51 | 6065149 | Buchse | Bushing | Douille | Bronzina | 1 |
| 52 | 6065124 | Flansch | Flange | Flasque | Flangia Guida | 1 |
| 53 | 6065407 | Messeraufnahme | blade bushing | Douille de couteau | Bussola lama | 1 |
| 54 | 6065424 | Scheibe | Washer | Rondelle | Ferodo | 2 |
| 55 | 6065400 | Messerbalken | Blade | Couteau | Lama | 1 |
| 56 | 6065430 | Scheibe | Washer | Rondelle | Rondella | 1 |
| 57 | 6065111 | Federscheibe | Washer | Rondelle | Molla | 1 |
| 58 | 6065152 | U-Scheibe | Washer | Rondelle | Rondella | 1 |
| 59 | 6065148 | Messerschraube | Blade screw | Vis de couteau | Vite lama | 1 |

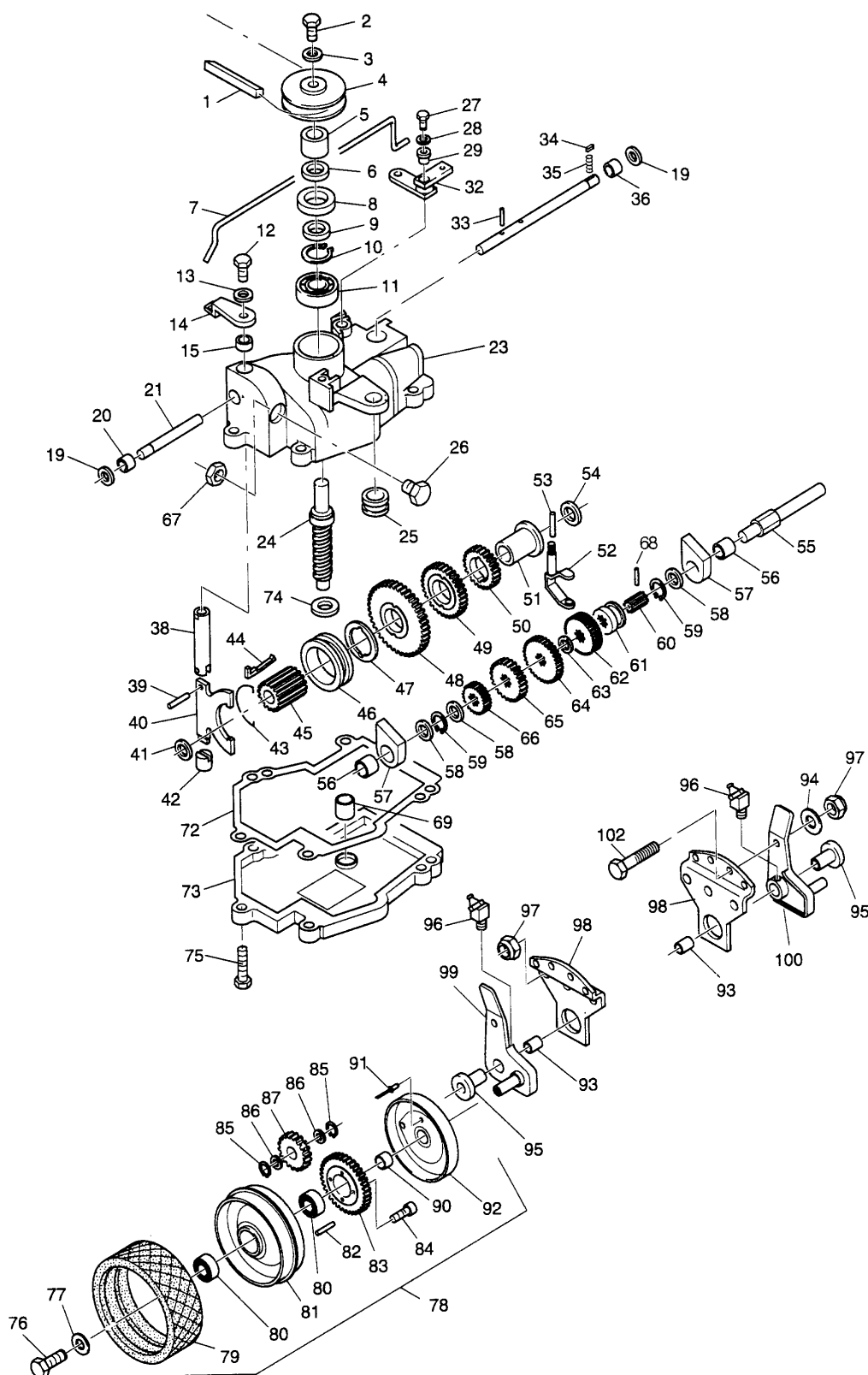
NR:6067 000 Bezeichnung: 50AH- PRO Gruppe: BenzinmÄher Jahr: 98 Typ:



NR:6067 000 Bezeichnung: 50AH- PRO Gruppe: BenzinmÄrher Jahr: 98 Typ:

| Pos. | Wolfeilnr. | Bezeichnung Führungsholm A-PRO/AH-PRO | Description Handlebar A-PRO/AH-PRO | Description Guidon A-PRO/AH-PRO | Descrizione Stegola A-PRO/AH-PRO | Menge/Qty. |
|------|------------|--|---------------------------------------|------------------------------------|-------------------------------------|------------|
| 1 | 6065438 | Sicherheitsbügel Motorstop | Safety lever | Levier de sécurité | Leva di sicurezza | 1 |
| 2 | 0016311 | Skt.-Mutter | Hex.-nut | Écrou | Dado | 2 |
| 3 | 0017121 | U-Scheibe | Washer | Rondelle | Rondella | 2 |
| 4 | 6065193 | Buchse | Bushing | Douille | Bussola per maniglia | 4 |
| 5 | 6065141 | Innen Skt.-Schraube | Hex.-screw | Vis | Vite | 2 |
| 6 | 6065129 | Holmunterteil | Lower handlebar | Guidon inf. | Stegola inf. | 2 |
| 7 | 0019297 | Niet | Rivet | Rivet | Rivetto | 10 |
| 8 | 0010301 | Skt.-Schraube | Hex.-screw | Vis | Vite | 2 |
| 9 | 6065175 | Motor-Regulierhebel, kpl. | Throttle housing ass. | Boite de gaz compl. | Scatola acc. Compl. | 1 |
| 10 | | Gehäuse links | Housing left | Boite gauche | Scatola sin | 1 |
| 11 | | Gehäuse rechts | Housing right | Boite droite | Scatola des | 1 |
| 12 | 6065174 | Hebel | Lever | Levier | Leva | 1 |
| 13 | 6065015 | Schaltung, kpl | Speed housing ass. | Boite de vitesse compl. | Scatola variat. Compl. | 1 |
| 14 | | Gehäuse links | Housing left | Boite gauche | Scatola sin. | 1 |
| 15 | | Gehäuse rechts | Housing right | Boite droite | Scatola des. | 1 |
| 16 | | Hebel | Lever | Levier | Leva | 1 |
| 17 | 6065442 | Betätigungszug Motor | Throttle cable | Cable de gaz | Cavo acc. | 1 |
| 18 | 6065439 | Betätigungszug Schaltung | Shift cable | Cable de commande | Cavo selettore marce | 1 |
| 19 | 6065441 | Betätigungszug Fahrtrieb | Traction cable | Cable de traction | Cavo trazione | 1 |
| 20 | 6065440 | Betätigungszug Motorstop | Enginestop cable | Cable de moteurstop | Cavo motorstop | 1 |
| 22 | 6065421 | Bügel, Fahrtrieb | Traction lever | Poignée de traction | Maniglia trazione | 1 |
| 23 | 6065434 | Halter | Support | Support | Ferma cavi zincato | 1 |
| 25 | 0016311 | Skt.-Mutter | Hex.-nut | Écrou | Dado | 1 |
| 26 | 6065422 | Oberholm | Handlebar | Guidon | Stegola | 1 |
| 27 | 0016310 | Skt.-Mutter | Hex.-nut | Écrou | Dado | 1 |
| 29 | 6065123 | Kabelhalter | Clamp | Collier | Ricciolo zincato | 1 |
| 30 | 6065107 | Skt.-Schraube | Hex.-screw | Vis | Vite | 1 |
| 31 | 6065202 | Aufkleber Motorstop | Decal | Marquage | Decalco | 1 |
| 32 | 6065203 | Aufkleber Fahrtrieb | Decal | Marquage | Decalco | 1 |
| 33 | 6065201 | Aufkleber Schaltung | Decal | Marquage | Decalco | 1 |
| 34 | 6065201 | Aufkleber Motordrehzahl | Decal | Marquage | Decalco | 1 |
| 35 | | Armaturentafel | Control board | Bord de commande | Pannello | 1 |

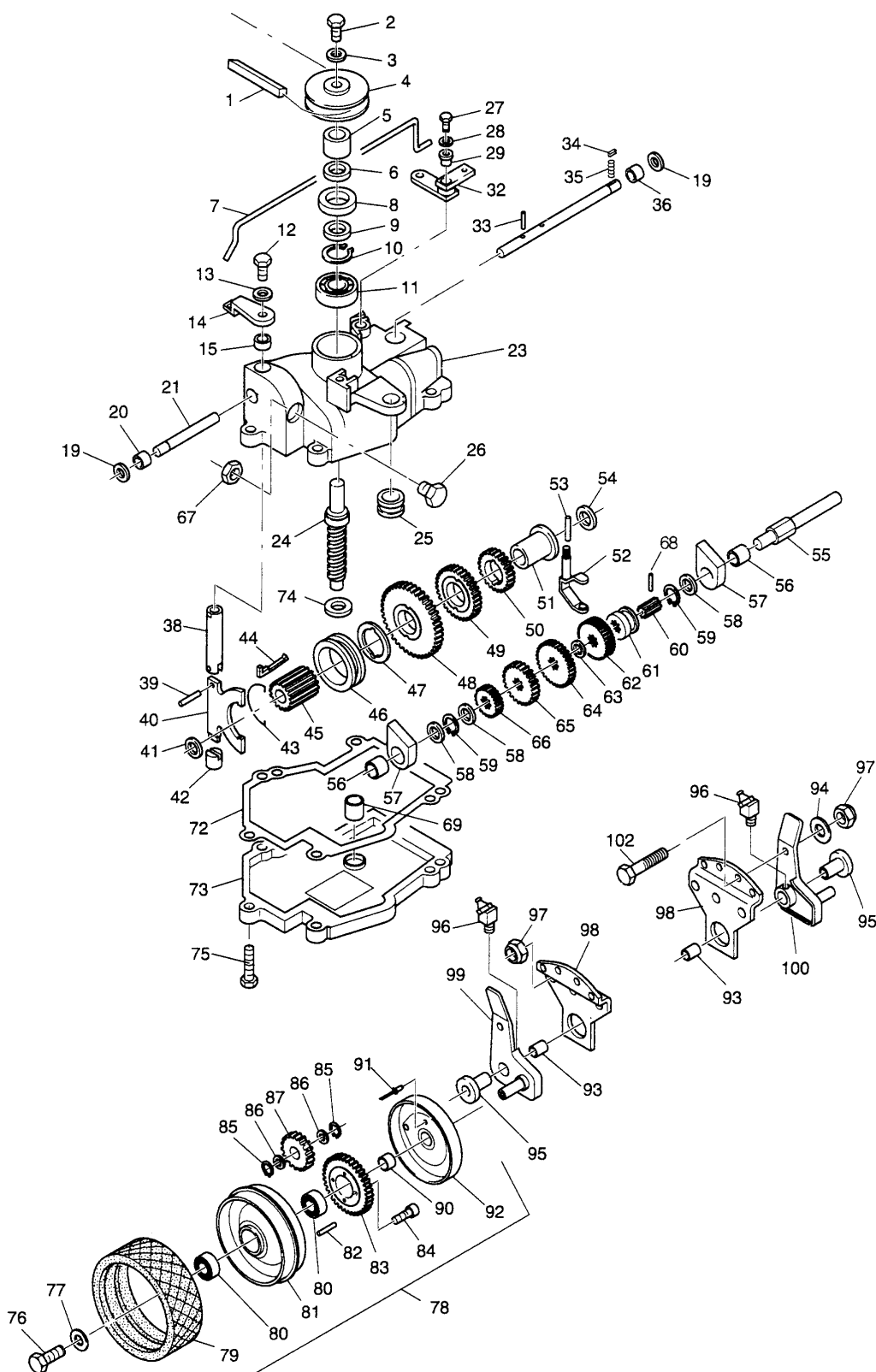
NR:6067 000 Bezeichnung: 50AH- PRO Gruppe: BenzinmÄher Jahr: 98 Typ:



NR:6067 000 Bezeichnung: 50AH- PRO Gruppe: BenzinmÄrher Jahr: 98 Typ:

| Pos. | Wolftelnr. | Bezeichnung Fahrtrieb AH-PRO/A-Pro | Description Gear box AH-PRO/A-PRO | Description Boite de vitesse AH-PRO/A-PRO | Descrizione Cambio AH-PRO/A-PRO | Menge/Qty. |
|------|------------|---------------------------------------|--------------------------------------|--|------------------------------------|------------|
| 1 | 6065312 | Keilriemen | Transmission belt | Courroire de trans. | Cinghia | 1 |
| 2 | 6065102 | Skt. Schraube | Screw | Vis | Vite | 2 |
| 3 | 6065103 | U- Scheibe | Washer | Rondelle | Rondella | 1 |
| 4 | 6065404 | Keilriemenscheibe | Pulley | Poulie | Puleggia | 1 |
| 5 | 6065188 | Buchse | Bushing | Douille | Bussola | 1 |
| 6 | 6065423 | O-Ring | Spacer | Douille | O-Ring | 1 |
| 7 | | Führung | Guide | Guide | Guida | 1 |
| 8 | 6065450 | Wellendichtring | Oil seal | Joint d'arbre | Anello di tenuta | 1 |
| 11 | 6065183 | Kugellager | Bearing | Palier | Cuscinetto | 1 |
| 9 | 6065154 | Abstandstück | Spacer | Douille | Rasamento | 1 |
| 10 | 6065163 | Seegering | Circlip | Seeger | Seeger | 1 |
| 12 | 6065102 | Skt.-Schraube | Screw | Vis | Vite | 1 |
| 13 | 6065103 | U-Scheibe | Washer | Rondelle | Rondella | 1 |
| 14 | 6065173 | Hebel | Lever | Levier | Leva | 1 |
| 15 | 6065451 | Wellendichtring | Oil seal | Joint d'arbre | Anello di Tenuta | 1 |
| 19 | 6065451 | Wellendichtring | Oil seal | Joint d'arbre | Anello di Tenuta | 3 |
| 20 | 6065186 | Lager | Bearing | Palier | Cuscinetto | 4 |
| 21 | 6065406 | Antriebsachse | Drive shaft | Arbre de traction | Albero Trazione | 1 |
| 23 | 6065045 | Getriebegehäuse | Gear box | Boite de vitesse | Scatola Cambio | 1 |
| 24 | 6065401 | Ritzel | Screw | Vis | Vite | 1 |
| 25 | 6065176 | Schutztülle | Rubber tube | Tube de protection | Gommino | 1 |
| 26 | 6065433 | Ölstandanzeige | Oil lever Indicator | Indicateur niveau d'huile | Indicatore olio | 1 |
| 27 | | Skt. Schraube | Hex.-screw | Vis | Vite | 1 |
| 28 | 6065103 | U-Scheibe | Washer | Rondelle | Rondella | 1 |
| 29 | 6065452 | Buchse | Bushing | Douille | Bussola | 1 |
| 32 | 6065446 | Halter | Support | Support | Supporto | 1 |
| 33 | 6065169 | Stift | Pin | Goupille | Spina | 1 |
| 34 | 6065171 | Scheibfeder | Key | Clavette | Chiavetta | 1 |
| 35 | 6065178 | Druckfeder | Spring | Ressort | Molla | 1 |
| 36 | 6065186 | Lager | Bearing | Palier | Cuscinetto | 4 |
| 38 | 6065402 | Obere Führung | Upper lever guide | Guide sup. de levier | Guida Leva sup. | 1 |
| 39 | 6065170 | Stift | Pin | Goupille | Spina | 1 |
| 40 | 6065426 | Anlaufhebel | Thrust lever | Levier de butée | Leva Spingilinguetta | 1 |
| 41 | 6065106 | Scheibe | Washer | Rondelle | Rondella | 3 |
| 42 | 6065420 | Untere Führung | Lower lever guide | Guide inf. de levier | Guida Leva inf. | 1 |
| 43 | 6065180 | Seeger | Circlip | Seeger | Anello | 1 |
| 44 | 6065413 | Schaltfinger | Selector tab | Patte de selecteur | Liguetta Selettice | 2 |
| 45 | 6065172 | Buchse | Bushing | Douille | Bussola | 1 |
| 46 | 6065198 | Anlauftring | Thrust ring | Bague de butée | Anello spingilinguetta | 1 |
| 47 | 6065425 | Ring | Tempered ring | Bague en acier | Dischetto temp. | 1 |
| 48 | 6065417 | Stirnrad | Gear | Engranage | Ingranaggio | 1 |
| 49 | 6065418 | Stirnrad | Gear | Engranage | Ingranaggio | 1 |
| 50 | 6065419 | Stirnrad | Gear | Engranage | Ingranaggio | 1 |
| 51 | 6065412 | Buchse | Bushing | Douille | Bussola | 1 |
| 52 | 6065415 | Gabel | Fork | Fourche | Forcella | 1 |
| 53 | 6065165 | Stift | Pin | Goupille | Spina | 1 |
| 54 | 6065154 | Distanzstück | Spacer | Douille | Rasamento | 1 |
| 55 | 6065199 | Welle | Shaft | Arbre | Abero | 1 |
| 56 | 6065186 | Lager | Bearing | Palier | Cuscinetto | 4 |
| 57 | 6065411 | Halter | Support | Support | Supporto | 2 |
| 58 | 6065106 | Scheibe | Washer | Rondelle | Rondella | 3 |
| 59 | 6065109 | Seegerring | Circlip | Seeger | Seeger | 2 |
| 60 | 6065120 | Buchse | Bushing | Douille | Bussola | 1 |
| 61 | 6065114 | Schaltbüchse | Selector collar | Manchon | Innestro destra | 1 |
| 62 | 6065115 | Stirnrad | Gear | Engranage | Ruota dentata | 1 |
| 63 | 6065437 | Distanzbuchse | Spacer | Douille | Distanziale | 1 |
| 64 | 6065416 | Stirnrad | Gear | Engranage | Ingranaggio | 1 |
| 65 | 6065415 | Stirnrad | Gear | Engranage | ingranaggio | 1 |

NR:6067 000 Bezeichnung: 50AH- PRO Gruppe: BenzinmÄher Jahr: 98 Typ:



NR:6067 000 Bezeichnung: 50AH- PRO Gruppe: BenzinmÄrher Jahr: 98 Typ:

| Pos. | Wolfteilnr. | Bezeichnung Fahrtrieb AH-PRO/A-Pro | Description Gearbox AH-PRO/A-PRO | Description Boite de vitesse AH-PRO/A-PRO | Descrizione Cambio AH-PRO/A-PRO | Menge/Qty. |
|------|-------------|---------------------------------------|-------------------------------------|--|------------------------------------|------------|
| 66 | 6065414 | Stirnrad | Gear | Engranage | Ingranaggio | 1 |
| 67 | 6065405 | Zwinge | Collar | Frette | Ghiera per indicatore | 1 |
| 68 | 6065167 | Stift | Pin | Goupille | Spina | 1 |
| 69 | 6065185 | Lager | Bearing | Palier | Cuscinetto | 1 |
| 72 | 6065453 | Dichtung | Gasket | Joint | Guarnizione | 1 |
| 73 | 6065306 | Abdeckung | Cover | Protection | Coperchio | 1 |
| 74 | 6065185 | Lager | Bearing | Palier | Cuscinetto | 1 |
| 75 | 6065144 | Schraube | Screw | Vis | Vite | 6 |
| 76 | 0010379 | Schraube | Screw | Vis | Vite | 2 |
| 77 | 0017121 | Scheibe | Washer | Rondelle | Rondella | 2 |
| 78 | 6065041 | Rad kpl. | Wheel | Rou | Ruota compl. | 2 |
| 79 | 6065311 | Decke | Tire | Pneu | Copertone | 2 |
| 80 | 6065184 | Lager | Bearing | Palier | Cuscinetto | 4 |
| 81 | 6065447 | Felge hinten | Rear | Jante | Cerchione post. | 2 |
| 82 | 6065166 | Stift | Pin | Goupille | Spina | 2 |
| 83 | 6065409 | Kronrad | Worm gear | Couronne | Ruota dentata | 2 |
| 84 | 6065138 | Schraube | Screw | Vis | Vite | 4 |
| 85 | 6065109 | Seegerring | Circlip | Seeger | Seeger | 4 |
| 86 | 6065106 | Scheibe | Washer | Rondelle | Rondella | 4 |
| 87 | 6065410 | Ritzel | Pinion | Pignon | Pignone | 2 |
| 90 | 6065191 | Distanzbuchse | Spacer | Douille | Distanziale | 2 |
| 91 | 6065156 | Niet | Rivet | Rivet | Rivetto | 2 |
| 92 | 6065127 | Radabdeckung | Wheel cover | Protection de roue | Copriruota | 2 |
| 93 | | Lager | Bearing | Palier | Cuscinetto | 2 |
| 94 | | Scheibe | Washer | Rondelle | Rondella | 1 |
| 95 | | Buchse | Bushing | Douille | Bussola | 4 |
| 96 | 6065142 | Schmiernippel | Grease fitting | Graisseur | Ingrassatore | 2 |
| 97 | 0016312 | Skt. Mutter | Hex. -nut | Écrou | Dado | 2 |
| 98 | | Höhenverstellung | Elevation adjustment | Réglage de hauteur de coupe | Piastra di regolazione | 2 |
| 99 | | Radhalter hi.re. | Rear wheel support | Support roue post. | Porta ruota post. | 1 |
| 100 | | Radhalter hi.li. | Rear wheel support | Support roue post. | Porta ruota post. | 1 |
| 102 | 0010385 | Skt.-Schraube | Hex.-screw | Vis | Vite | 1 |